

B1 INSTALLATION DRAWING

IF THIS DOCUMENT IS PRINTED IN HARDCOPY, IT IS FOR INFORMATION USE ONLY AND THEREFORE IS NOT SUBJECT TO UPDATING CONTROLS. ALWAYS REFER TO SOLIDWORKS VIEWER FOR LATEST ISSUE



THIS DRAWING IS CONFIDENTIAL AND IS SUPPLIED ON THE EXPRESS CONDITION THAT IT SHALL NOT BE LOANED OR COPIED OR DISCLOSED TO ANY OTHER PERSON OR USED FOR ANY OTHER PURPOSE WITHOUT THE WRITTEN CONSENT OF AP RACING LTD.



AP Racing
Wheler Road
Coventry
CV3 4LB
Tel: +44 024 7663 9595
Fax: +44 024 7663 9559
e-mail: sales@apracings.co.uk
Web site: HTTP://www.apracings.com

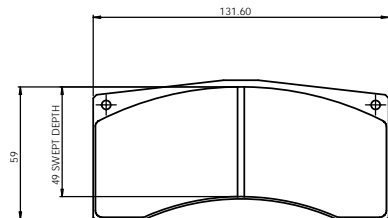
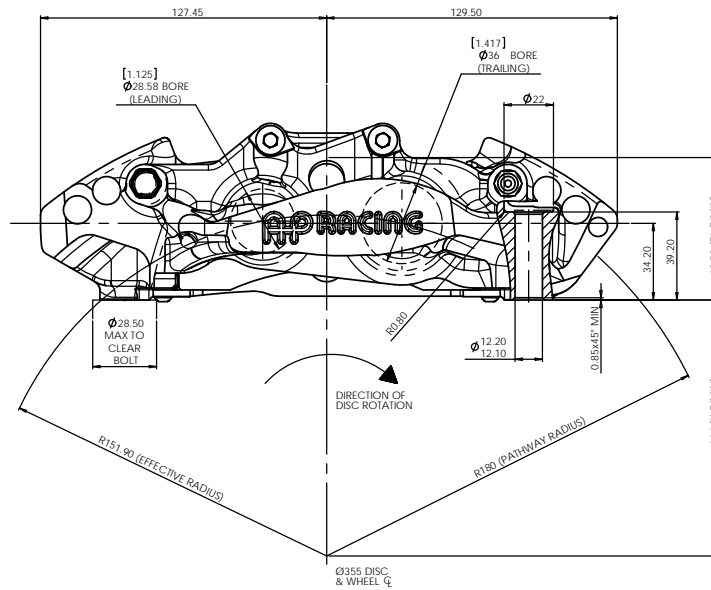
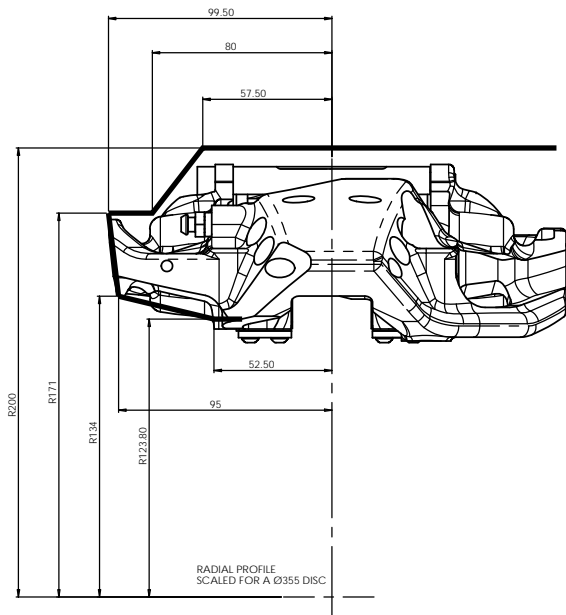
GENERAL DESCRIPTION:
4 PISTON DIFFERENTIAL BORE CALIPER TO SUIT UP TO Ø355 x32.0 IRON DISC

TECHNICAL INFORMATION:
TOTAL PISTON AREA: 33.2cm²
PISTON MATERIAL: STAINLESS STEEL
BODY MATERIAL: ALUMINIUM ALLOY
ASSEMBLY WEIGHT: 2.25kg

INSTALLATION INFORMATION:
DISC & CALIPER MOUNTING TOLERANCES TO BE SUCH THAT THE DISC IS CENTRAL TO THE CALIPER TO WITHIN ±0.5mm. DISC DIAMETRAL CLEARANCE SHOULD BE 2.5mm NOMINAL FROM DISC O/D TO PATHWAY.

KEY TO DIMENSIONS:
'PL' DIMN : TOP OF PAD MATERIAL TO MOUNTING BOSS FACE, WITH PAD SITTING DOWN ON LEDGE.
'U' DIMN : WHEEL CENTRE LINE TO CALIPER MOUNTING BOSS FACE = (DISC Ø/2) - PL DIMN

CALIPER PART NUMBERS :
CP6480-2S7L - RIGHT HAND
CP6480-3S7L - LEFT HAND

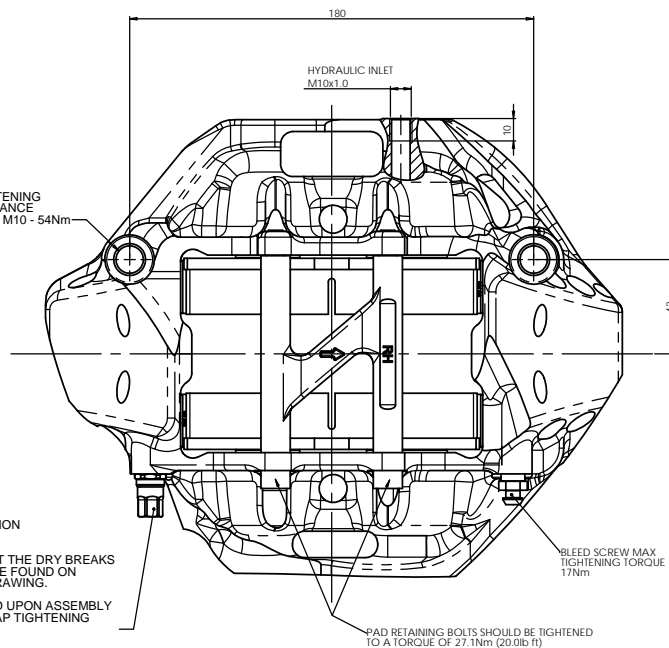


TYPICAL MTG TIGHTENING TORQUE, FOR GUIDANCE ONLY: M12 - 65Nm & M10 - 54Nm

MALE DRY-BREAK FITTING OPTION PART NUMBER CP6300-21

FURTHER INFORMATION ABOUT THE DRY BREAKS AND FEMALE ADAPTERS CAN BE FOUND ON CP6300-13CD INSTALLATION DRAWING.

APPLY LOCTITE 270 TO THREAD UPON ASSEMBLY TIGHTENING TORQUE 13Nm. CAP TIGHTENING TORQUE IS 4Nm.



Issue No	Alterations			Zone	Initials
	Date & No.	Particulars	#		
1	12/05/11 B6097	FIRST ISSUE	#	JH	
2	15/08/11 B6097	M10x1.0 INLET WAS SHOWN AS M9.30x1.0	11F	SAT	
3	05/12/11 B6097	PAD RETAINER UPDATED	#	JH	
4	20/07/16 RAC22187	SHEET 1 MALE DRY BREAK PART NUMBER ADDED TO NOTE AND NOTE UPDATE SHEET 2 STROKE BLOCK CT6480-100 REMOVED FROM TABLE DRY BLEED CP6300-30 NOW CP6300-21 ADDED TO EXPLODE	6B 2L 2L 12J	THS	
5	23/02/16 B7708_01	SHEET 1 TIGHTENING TORQUE FOR PAD RETAINER BOLTS ADDED 27.9 Nm AS PER M650006	6B	NK	

SCALE 1:1	SHEET 1 OF 2
DRAWN jheritage	
APPROVED	
DERIVED FROM	
TITLE 4-POT CALIPER INSTALLATION DRAWING	
DRG NO.	CP6480-1CD

