

# B1 INSTALLATION DRAWING

IF THIS DOCUMENT IS PRINTED IN HARDCOPY, IT IS FOR INFORMATION USE ONLY AND THEREFORE IS NOT SUBJECT TO UPDATING CONTROLS. ALWAYS REFER TO SOLIDWORKS VIEWER FOR LATEST ISSUE



THIS DRAWING IS CONFIDENTIAL AND IS SUPPLIED ON THE EXPRESS CONDITION THAT IT SHALL NOT BE LOANED OR COPIED OR DISCLOSED TO ANY OTHER PERSON OR USED FOR ANY OTHER PURPOSE WITHOUT THE WRITTEN CONSENT OF AP RACING LTD.



**GENERAL DESCRIPTION:**  
A SIX PISTON, DIFFERENTIAL BORE CALIPER DESIGNED TO OPERATE ON A VENTILATED CARBON DISC OF 378.0 DIA. x 32.0 WIDE IN A 18" DIA. WHEEL.  
CALIPERS ARE SUPPLIED WITH PISTONS TO SUIT A 22.0 THICK PAD.

STANDARD PISTON LENGTH	NEW DISC THICKNESS	MIN WORN DISC THICKNESS	NEW PAD THICKNESS	MIN WORN PAD THICKNESS	NEW C/C STACK NOM	MIN WORN C/C STACK	AVAILABLE C/C WEAR	MAX C/C WEAR ON WORST SIDE
32.8	32	22	22	10	76	42	34	17

THE CALIPER CAN ACCOMMODATE TWO LVDTs, WHICH DETECT THE MOVEMENT OF THE CENTRE PISTONS & SO GIVE A MEASURE OF CARBON STACK WEAR.  
A CALIPER SET OF LVDTs AND FASTENERS ARE AVAILABLE UNDER THE PART NUMBER CP4969-80. ELECTRICAL INSTALLATION DETAILS ARE GIVEN ON DRAWING # cp4969-56cd.

THE CALIPER HAS SEALS IN THE MOUTH OF THE BORE.

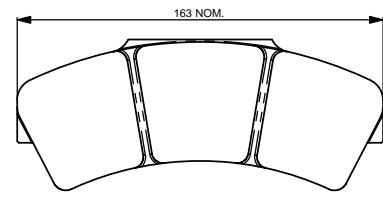
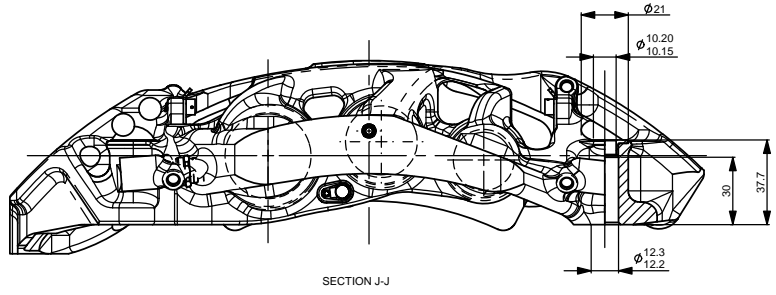
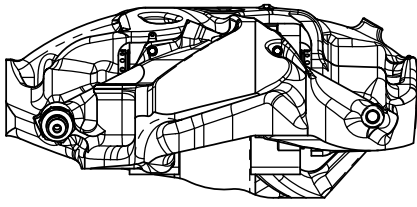
**APPLICATION** - GT CAR CALIPER.

**TECHNICAL & INSTALLATION DATA**

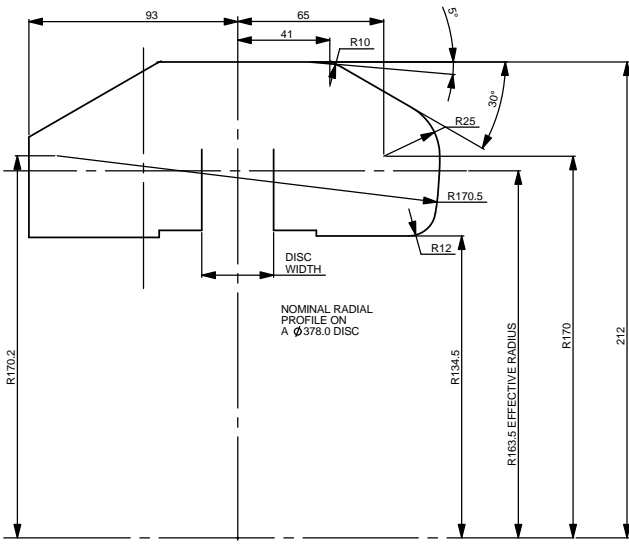
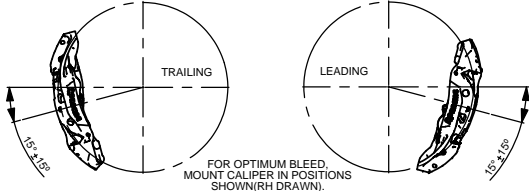
- TOTAL PISTON AREA (6) - 50 cm<sup>2</sup>
- PISTON MATERIAL - TITANIUM ALLOY
- BODY MATERIAL - ALUMINIUM ALLOY
- HYDRAULIC PORT THREADS - M10x1.0
- CALIPER WEIGHT LESS PADS - 2050g
- THE INCLUSION OF PAD WEAR INDICATORS ADDS APPROX. 50g.

ASSEMBLY No.		CALIPER HANDING
CP6169-14	RHT	RIGHT HAND BEHIND/BELOW AXLE (AS DRAWN)
CP6169-15	LHT	LEFT HAND BEHIND/BELOW AXLE
CP6169-16	RHL	RIGHT HAND AHEAD OF AXLE
CP6169-17	LHL	LEFT HAND AHEAD OF AXLE

EXAMPLE PART # - CP6169-14S (SIDE FEED) 0 (0lb AKB SPRING) M (TITANIUM PISTONS)

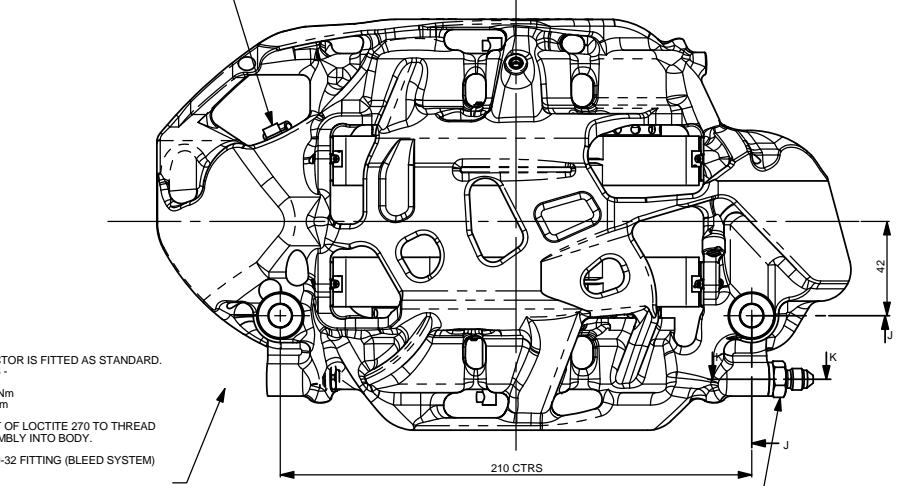


CP6169-6 PAD FAMILY  
53 RADIAL DEPTH  
FULL AREA 80.5cm<sup>2</sup>  
REDUCED AREA 75.8cm<sup>2</sup>  
DETAILED ON CP2872-1020CD

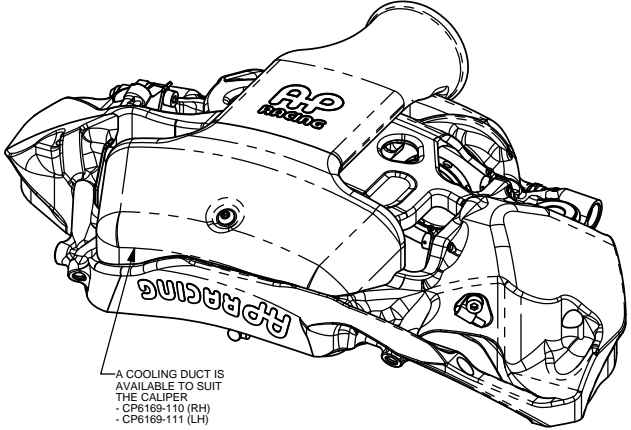
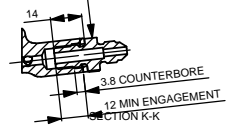


CALIPER BODY THERMO-SENSOR AVAILABLE - CP6282-6 (PT100 TYPE) CP6282-7 (PT1000 TYPE) RETAINING SCREW CP3555-188 (M4x6)

A DRY-BREAK CONNECTOR IS FITTED AS STANDARD. TIGHTENING TORQUES -  
VALVE INTO BODY - 13Nm  
CAP ONTO VALVE - 4Nm  
APPLY SMALL AMOUNT OF LOCTITE 270 TO THREAD OF VALVE UPON ASSEMBLY INTO BODY.  
MATING PART - CP6300-32 FITTING (BLEED SYSTEM)



NOTE THAT THE INLET PORT IS COUNTERBORED. USE A LONG INLET ADAPTOR SUCH AS CP6160-107 (M10x1 14 LONG TO -3 AQ) TO ENSURE SUFFICIENT THREAD ENGAGEMENT.



Issue No.	Alterations		
	Date & No.	Particulars	Zone Initials
1	20/03/2014 B6549	FIRST ISSUE	# CDA
2	31/03/2015 B6549	WEIGHT ADDED.	# CDA

SCALE 1:1	SHEET 1 OF 2
DRAWN	Chris Arrowsmith
APPROVED	
DERIVED FROM	
TITLE 6 PISTON MONOBLOC GT CALIPER	
DRG NO.	CP6169-14CD

# B1 INSTALLATION DRAWING

IF THIS DOCUMENT IS PRINTED IN HARDCOPY, IT IS FOR INFORMATION USE ONLY AND THEREFORE IS NOT SUBJECT TO UPDATING CONTROLS. ALWAYS REFER TO SOLIDWORKS VIEWER FOR LATEST ISSUE

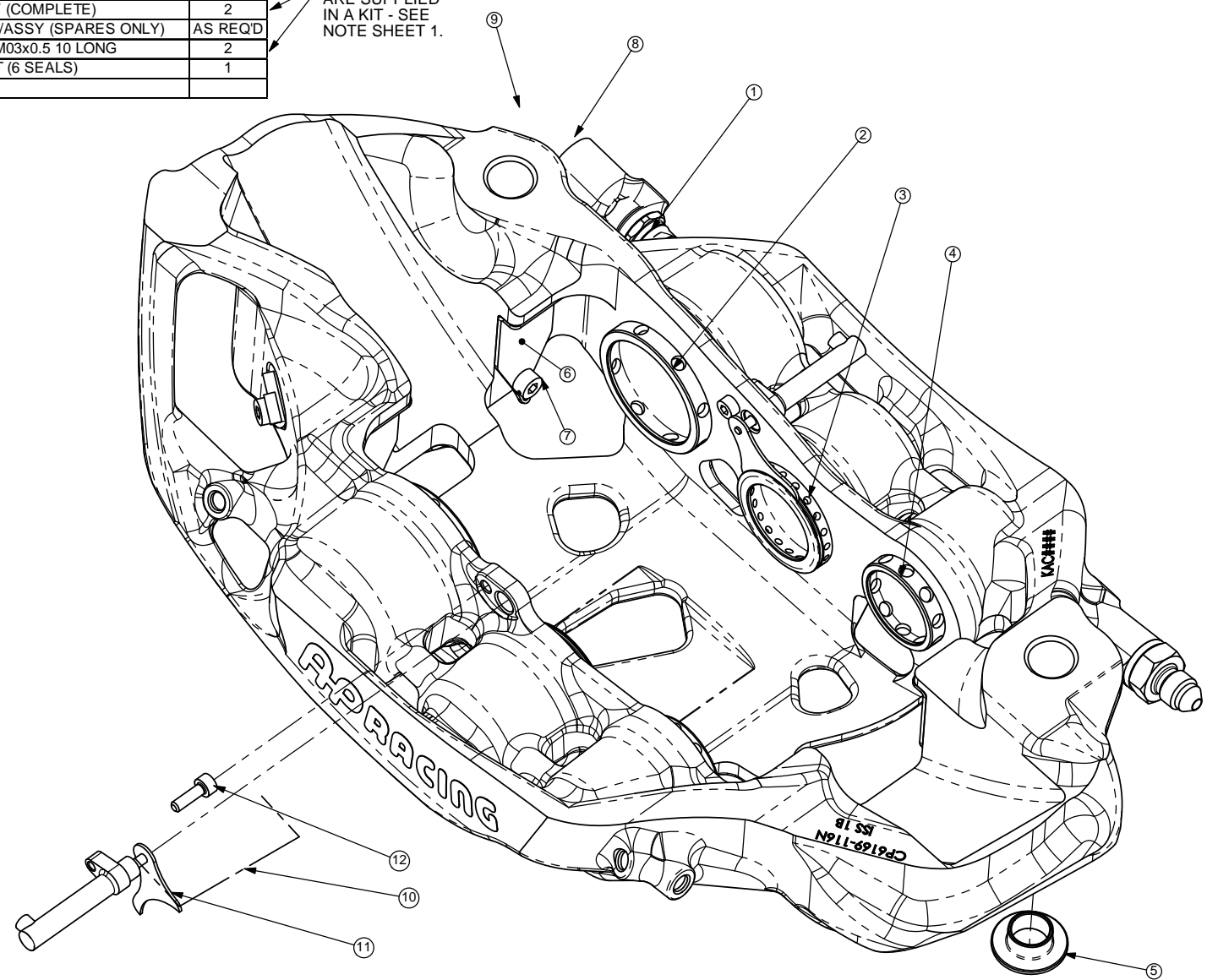


THIS DRAWING IS CONFIDENTIAL AND IS SUPPLIED ON THE EXPRESS CONDITION THAT IT SHALL NOT BE LOANED OR COPIED OR DISCLOSED TO ANY OTHER PERSON OR USED FOR ANY OTHER PURPOSE WITHOUT THE WRITTEN CONSENT OF AP RACING LTD.

**AP RACING**  
 AP Racing  
 Wheler Road  
 Coventry  
 CV3 4LB  
 Tel: +44 024 7663 9595  
 Fax: +44 024 7663 9559  
 e-mail: sales@apracings.co.uk  
 Web site: HTTP://www.apracings.com  
 © AP Racing Ltd. 2005

REF.	PART #	DESCRIPTION	QTY
1	CP6169-116/7N	CALIPER BODY	1
2	CP6169-106	PISTON Ø38.1 x 32.83 Ti	2
3	CP4969-139	PISTON Ø31.8 x 32.83 Ti	2
4	CP6169-108	PISTON Ø27 x 32.83 Ti	2
5	CP6720-162	UPPER MTG BUSH	2
6	CP6169-113	PAD ABUTMENT WEAR PLATE	4
7	CP6367-105STD	CAP SCREW-M04x0.7 9 LONG	4
8	CP6300-21	BLEED VALVE	1
9	CP6300-228	BLEED VALVE CAP (SPARES ONLY)	AS REQ'D
10	CP4969-54	LVDT ASSY (COMPLETE)	2
11	CP4969-55	LVDT ROD & YOKE S/ASSY (SPARES ONLY)	AS REQ'D
12	CP6376-105ST	CAP SCREW-M03x0.5 10 LONG	2
13	CP4518-CEJ	SEAL KIT (6 SEALS)	1

REFS 10 & 12 ARE SUPPLIED IN A KIT - SEE NOTE SHEET 1.



Issue No.	Alterations		
	Date & No.	Particulars	Zone / Initials
-	-	SEE SHEET 1 FOR ISSUE INFORMATION.	-

SCALE 1:1 SHEET 2 OF 2  
 DRAWN Chris Arrowsmith  
 APPROVED  
 DERIVED FROM  
 TITLE SPARES  
 DRG NO. CP6169-14CD