

A1 INSTALLATION DRAWING

IF THIS DOCUMENT IS PRINTED IN HARDCOPY, IT IS FOR INFORMATION USE ONLY AND THEREFORE IS NOT SUBJECT TO UPDATING CONTROLS. ALWAYS REFER TO SOLIDWORKS VIEWER FOR LATEST ISSUE



THIS DRAWING IS CONFIDENTIAL AND IS SUPPLIED ON THE EXPRESS CONDITION THAT IT SHALL NOT BE LOANED OR COPIED OR DISCLOSED TO ANY OTHER PERSON OR USED FOR ANY OTHER PURPOSE WITHOUT THE WRITTEN CONSENT OF AP RACING LTD.



AP Racing
Wheler Road
Coventry
CV3 4LB

Tel: +44 (0) 24 7663 9595
Fax: +44 (0) 24 7663 9559
e-mail: engineering@apracings.co.uk
Web site: <http://www.apracings.com>

© AP Racing Ltd. 2005

DISC PART NUMBERS:

CP3770-1002 RH AS SHOWN
CP3770-1003 LH OPPOSITE

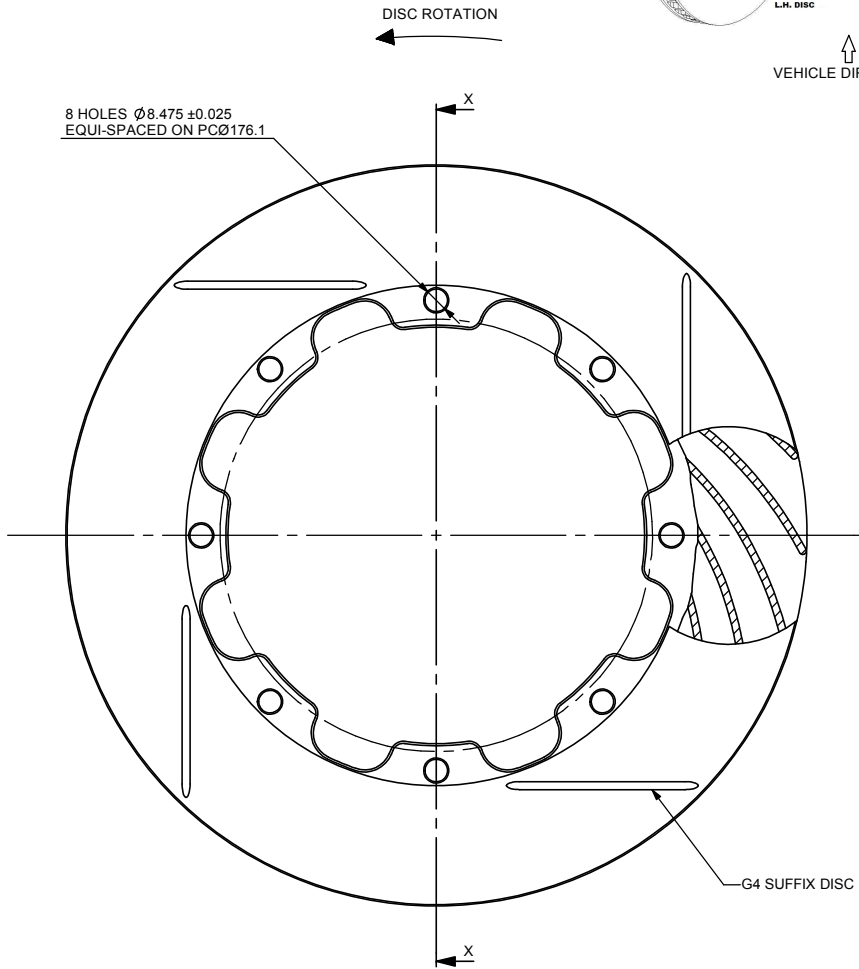
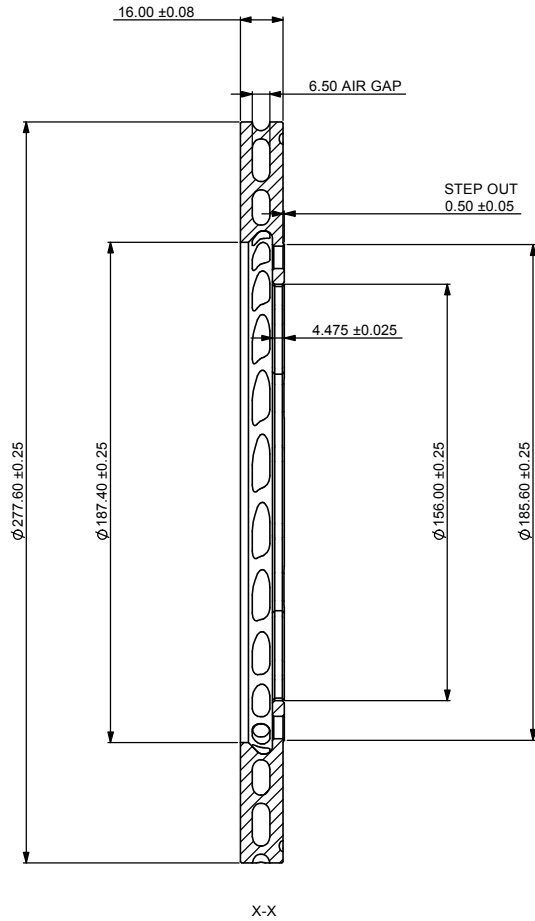
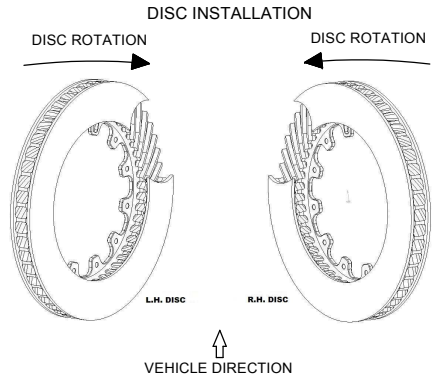
THIS IS A 24 VANE DISC OF MASS 2.65Kg

SUFFIX TO DISC PART No's

P = PLAIN (NO GROOVES)
Gn = STRAIGHT GROOVES, VALUE n PER FACE.

THIS DISC WAS DESIGNED TO WORK WITH A D43 DEPTH PAD.

FOR DISC MOUNTING TECHNIQUES, BEDDING PROCEDURE AND DISC COOLING RECOMMENDATIONS SEE AP RACING BRAKE DISC CATALOGUE.



Issue No.	Alterations		Zone	Initials
	Date & No.	Particulars		
9	16/08/07	RE-DRAWN ON SWORKS		
	B4460;ID61			

SCALE 1:1		SHEET 1 OF 1	
DRAWN	D.ARROWSMITH		
APPROVED			
DERIVED FROM			
TITLE			
VENTILATED DISC MACHINING DRAWING			
DRG NO.	CP3770-1002 / 1003 CD		