

A1 INSTALLATION DRAWING

IF THIS DOCUMENT IS PRINTED IN HARDCOPY IT IS FOR INFORMATION USE ONLY AND THEREFORE IS NOT SUBJECT TO UPDATING CONTROLS. ALWAYS REFER TO SOLIDWORKS VIEWER FOR LATEST ISSUE



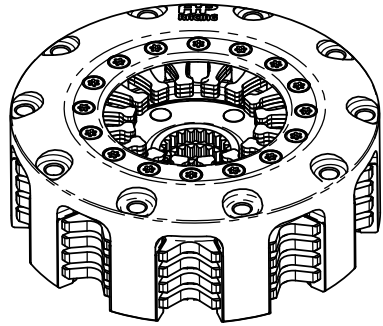
THIS DRAWING IS CONFIDENTIAL AND IS SUPPLIED ON THE EXPRESS CONDITION THAT IT SHALL NOT BE LOANED, REPRODUCED, COPIED OR DISCLOSED TO ANY OTHER PERSON OR USED FOR ANY OTHER PURPOSE WITHOUT THE WRITTEN CONSENT OF AP RACING LTD.



© AP Racing Ltd. 2004
 AP Racing
 Wheeler Road
 Coventry
 CV3 4LB

Tel: +44 (0) 24 7663 9595 e-mail: engineering@apracing.co.uk
 Fax: +44 (0) 24 7663 9559 Web site: http://www.apracing.com

CP6074 - 115mm (4.5") SINTERED CLUTCH ASSEMBLY



CP6074 CLUTCH FAMILY

MAXIMUM DYNAMIC TORQUE CAPACITY					
(Nm)	1170	1014	882	676	588
(ft.lb)	862	747	651	498	434
RELEASE LOAD					
Max. Peak Worn (N)	5400	5750	4950	4000	3250
Max. Peak New (N)	4250	4700	4050	3500	2900
WEAR IN (See Note)					
	0.75	0.75	0.75	0.75	0.75
Set Up Height New					
	41.07	40.94	40.64	39.13	38.93
	40.40	39.56	39.25	37.78	37.58
Set Up Height Worn - MAX					
	43.68	43.54	43.24	41.72	41.52
Release Ratio					
	3.913	3.462	3.462	3.462	3.462
Estimated Assembly Mass (Inc. Hub with Steel Main Pressure Plate) = 2.78 Kg					
Estimated Assembly Inertia (Inc. Hub with Steel Main Pressure Plate) = 0.0065 Kgm ²					
Estimated Driven Plate and Hub Inertia = 0.0013 Kgm ²					

PERFORMANCE SUFFIX	DS	DE	SE	CE*	OE*
For Reference					
Diaphragm Spring Rate	GLD	GLD	SLV	CRV	ORA
Clutch Ratio	SHR	EHR	EHR	EHR	EHR

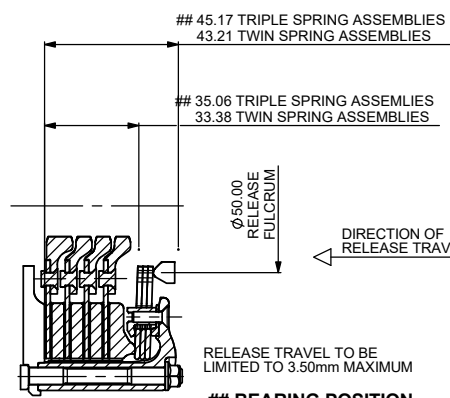
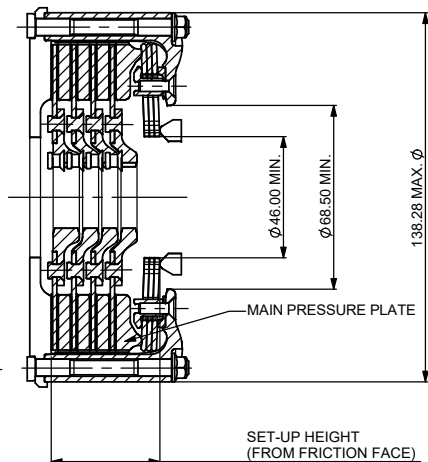
MATERIAL SUFFIX	DRIVE PLATE MATERIAL	DRIVE PLATE THICKNESS
90	SINTERED	2.63mm

FLYWHEEL TYPE		
	SUFFIX	COMMENTS
FLAT FLYWHEEL	FF	N/A
STEPPED FLYWHEEL	SF	FOR INSTALLATION DATA SEE SHEET 2

Sample AP Racing Part No. **CP6074-DS90-SF**

WEAR IN
 THIS CLUTCH HAS BEEN DESIGNED FOR THE WEAR IN INDICATED ABOVE,
 DRIVEN PLATE THICKNESS NEW: 2.63mm MIN
 DRIVEN PLATE THICKNESS WORN: 2.34mm MIN

DRIVEN PLATES AVAILABLE WITH THE FOLLOWING SPLINE SIZES			
SPLINE	PART No. STANDARD LENGTH (x 4)	PART No. INCREASED LENGTH (x 1)	PART No. INCREASED LENGTH (x 3)
1"x23T	CP5004-5FM4	CP6074-23FM4	CP6074-22FM4
7/8" x 20T	CP5004-6FM4		
1 5/32" x 26T	CP5004-8FM4	CP6074-19FM4	CP6074-18FM4
29.0 x10T	CP5004-7FM4		



RELEASE TRAVEL TO BE LIMITED TO 3.50mm MAXIMUM

BEARING POSITION

TO ENSURE ADEQUATE RELEASE TRAVEL AND CLUTCH LIFE THESE LIMITS HAVE BEEN CALCULATED USING AN ADDITIONAL 20% RELEASE TRAVEL AND 50% MORE WEAR IN THAN SPECIFIED.

THESE FIGURES COVER THE FULL RANGE OF CLUTCHES IN THE CP6074 FAMILY.

Issue No	Alterations		Zone	Initials
	Date & No.	Particulars		
1	11/08/04 C2493	FIRST ISSUE OF RE-DRAW OF CP6074-1CD, INC. NEW PART NUMBERING SYSTEM.	#	#
2	11/10/04 C2543	CP6074-22FM4 AND 023FM4 ADDED TO DP TABLE.	#	JG
3	27/10/04	SUH CORRECTED BY REMOVING 2.5 FROM ALL FIGURES	#	JG
4	25/01/06	DRIVEN PLATE INERTIA WAS 0.0013 Kgm ²	#	JG
5	25/07/19	PICTORIAL UPDATE TO DRIVE PLATES	#	BUP
6	17/08/21 CS375_01	'MAX PEAK NEW' WAS 'AT TRAVEL' 'MAX PEAK WORN', 'MAX PEAK NEW' AND RELEASE RATIO VALUES CORRECTED TO CONFORM WITH MIS1000	KB	JRV

SCALE 1:1	SHEET 1 OF 2
DRAWN	Jeremy Govan
APPROVED	
DERIVED FROM	cp6074-1cd (medusa)
TITLE	
4.5" (115mm) 4-PLATE SINTERED CLUTCH INSTALLATION DRAWING.	
DRG NO.	cp6074cd