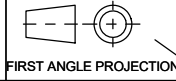


# A2 INSTALLATION DRAWING

If this document is printed in hardcopy, it is for information use only and therefore is not subject to updating controls. Always refer to viewer for latest issue.



THIS DRAWING IS CONFIDENTIAL AND IS SUPPLIED ON THE EXPRESS CONDITION THAT IT SHALL NOT BE LOANED OR COPIED OR DISCLOSED TO ANY OTHER PERSON OR USED FOR ANY OTHER PURPOSE WITHOUT THE WRITTEN CONSENT OF AP RACING LTD.

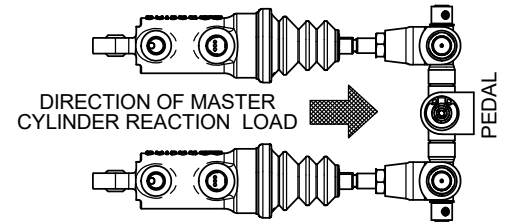
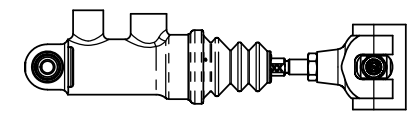
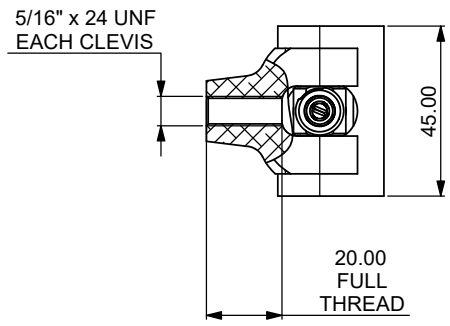
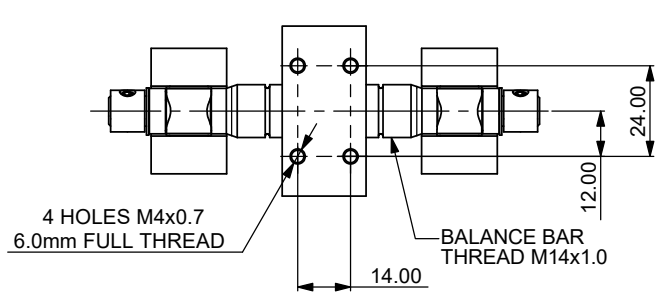


**AP Racing**  
Wheler Road  
Coventry  
CV3 4LB

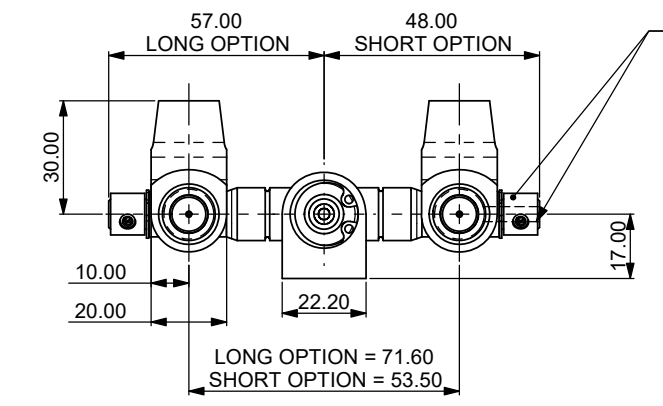
Tel: +44 024 7663 9595  
Fax: +44 024 7663 9559  
e-mail: sales@apracing.co.uk  
Web site: http://www.apracing.com

© AP Racing Ltd. 2005

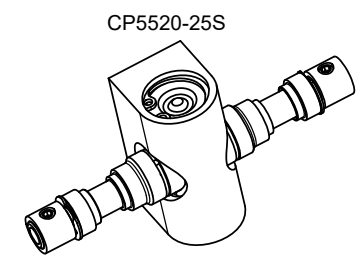
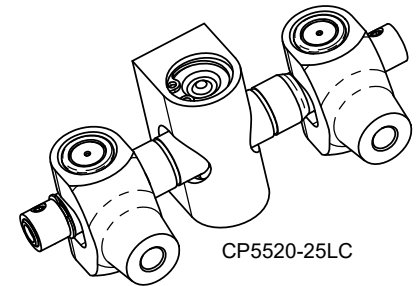
Issue No.	Date & No.	Alterations		Zone	Initials
		Particulars			
1	15/02/2011 B6028	FIRST ISSUE			cds
2	15/07/22 B8281_01	SHEET 1 IMPORTANT BALANCE BAR LIFE INFORMATION NOTE ADDED		A2	TS



THE DIRECTION OF LOAD AGAINST THE BALANCE BAR IS CRITICAL. PLEASE MAKE SURE THE CENTRAL TRUNNION IS POSITIONED AS SHOWN BELOW.



Ø4.0 HOLE FOR CABLE ADJUSTOR.  
2OFF M4x0.7 GRUB SCREW (4C) TO RETAIN CABLE (INCLUDED).  
AP RACING CABLE ADJUSTOR - CP2905-18.  
AND STEPPER MOTOR KIT - CP5500-14.  
AVAILABLE FROM AP RACING.



THESE VIEWS SHOW 2 OF THE 4 OPTIONS

## GENERAL DESCRIPTION

THIS SMALL AND COMPACT BALANCE BAR USES NEEDLE ROLLER BEARINGS, TO PROVIDE LOW HYSTERESIS AND HIGH EFFICIENCY. THIS SPECIFIC VERSION IS DESIGNED TO FIT TO OUR CP7855 TYPE CYLINDERS, AS SHOWN. OUR RECOMMENDED LIMITS ON BALANCE BAR ADJUSTMENT ARE GIVEN BELOW.

THE BALANCE BAR CAN COME WITH & WITHOUT CLEVIS'S, ALSO WITH A LONG OR A SHORT BALANCE BAR.

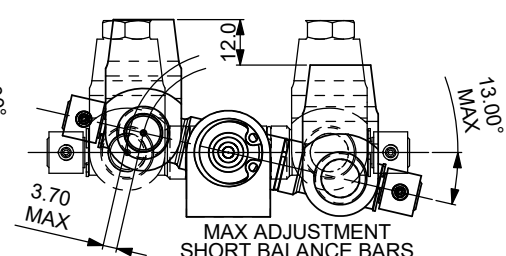
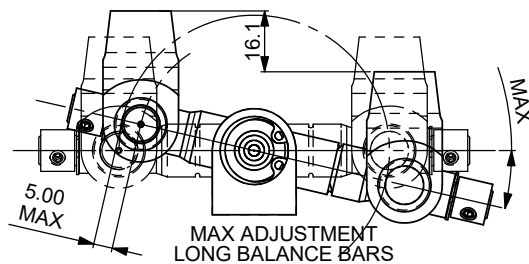
## PART NUMBERS

CP5520-25S	CP5520-25L	CP5520-25SC	CP5520-25LC
SHORT BALANCE BAR	LONG BALANCE BAR	SHORT BALANCE BAR	LONG BALANCE BAR
WITHOUT CLEVIS'S	WITHOUT CLEVIS'S	WITH CLEVIS'S	WITH CLEVIS'S

**IMPORTANT BALANCE BAR LIFE INFORMATION - ABS APPLICATIONS**  
IT IS RECOMMENDED THAT THE BALANCE BAR, E-CLIPS AND SNAP RINGS ARE REPLACED AFTER 15,000KM OF USE IN HIGH PRESSURE ABS APPLICATIONS, SEE SHEET 2 FOR RELEVANT PART NUMBERS.

SEE SHEET 2 FOR SPARES INFORMATION

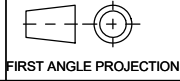
THE 2 VIEWS BELOW SHOW THE RECOMMEND ADJUSTMENT, THE MORE ADJUSTMENT YOU HAVE THE MORE INEFFICIENT THE BALANCE BAR BECOMES.



SCALE 1:1	SHEET 1 OF 2
DRAWN	Chris Arrowsmith
APPROVED	
DERIVED FROM	
TITLE BALANCE BAR ASSEMBLY	
DRG NO.	CP5520-25CD

# A2 INSTALLATION DRAWING

If this document is printed in hardcopy, it is for information use only and therefore is not subject to updating controls. Always refer to viewer for latest issue.



THIS DRAWING IS CONFIDENTIAL AND IS SUPPLIED ON THE EXPRESS CONDITION THAT IT SHALL NOT BE LOANED OR COPIED OR DISCLOSED TO ANY OTHER PERSON OR USED FOR ANY OTHER PURPOSE WITHOUT THE WRITTEN CONSENT OF AP RACING LTD.

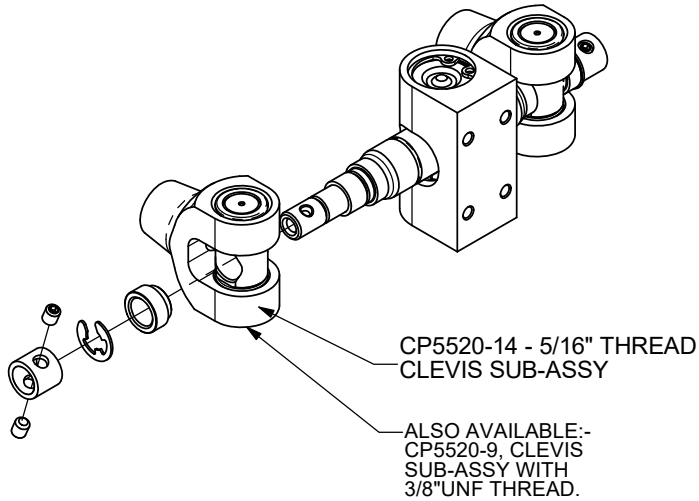


**AP Racing**  
Wheler Road  
Coventry  
CV3 4LB

Tel: +44 024 7663 9595  
Fax: +44 024 7663 9559  
e-mail: sales@apracings.co.uk  
Web site: http://www.apracings.com

© AP Racing Ltd. 2005

Issue No.	Date & No.	Alterations		Zone	Initials
		Particulars			
-	-	SEE SHEET 1 FOR ISSUE INFORMATION.		-	-



## BALANCE BAR ASSEMBLY INSTALLATION

### A. FITTING THE BALANCE BAR TO THE PEDAL.

1. MAKE 4 HOLES IN THE PEDAL OF THE RECOMMENDED DIMENSIONS. THE CENTER HAS TO BE AT THE SAME HEIGHT AS THE MASTER CYLINDER CENTERLINE WHEN PEDAL IS SQUARE TO THE MASTER CYLINDER.

2. IN POSITIONING THE BALANCE BAR ON THE PEDAL, PLEASE TAKE NOTICE OF THE DIRECTION OF LOAD, AS SHOWN. IT MAY EFFECT THE POSITION YOU CHOOSE.

### B. FITTING THE CLEVIS TO THE BALANCE BAR

1. PUSH THE CLEVIS SUB-ASSY (3) ON TO BALANCE BAR(1).

2. PUSH THE WASHER (3A) AGAINST THE CLEVIS SUB-ASSY(3)

3. PUSH CIRCLIP (3B) INTO PLACE ON BALANCE BAR (1) TO HOLD CLEVIS SUB-ASSY (3) IN PLACE.

4. FIT REMAINING SLEEVE (3D) & GRUB SCREWS (3C).

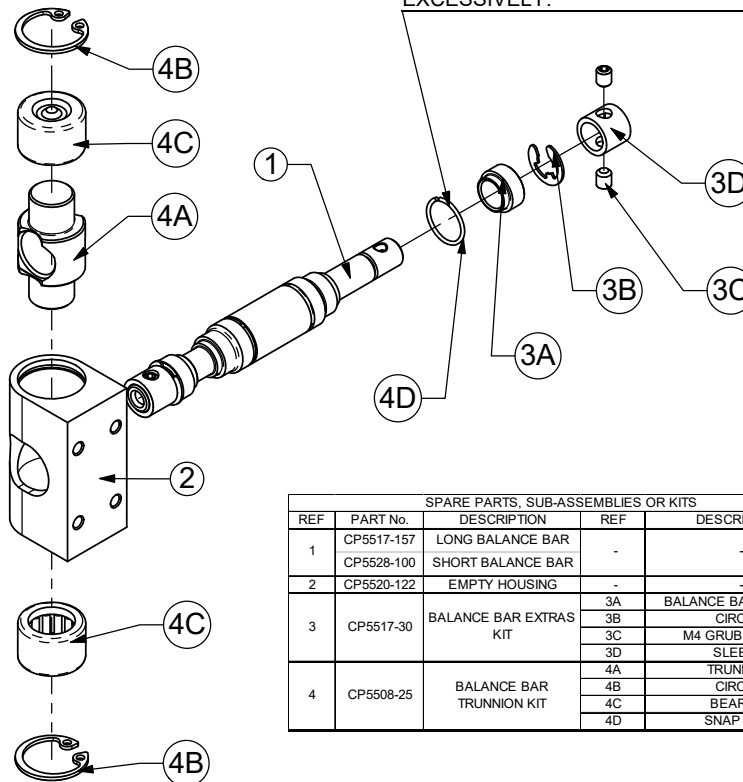
### C. SETTING UP THE BALANCE BAR

1. INSTALL M8 NUTS PROVIDED ON MASTER-CYLINDER PUSHRODS.

2. ADJUST THE PUSHRODS SO THAT THE BALANCE BAR IS PERPENDICULAR TO THE PUSHRODS UNDER MAXIMUM LOAD. THE SYSTEM IS THEN SQUARE. IT IS NOT IMPORTANT THAT THE SYSTEM IS SQUARE WHEN RELEASED, BUT IT HAS TO BE UNDER LOAD.

FOR MAXIMUM EFFICIENCY, IT IS RECOMMENDED THAT THE PEDAL IS AT RIGHT ANGLE WITH THE PUSHRODS UNDER MAXIMUM BRAKING LOAD; AND ALSO KEEPING THE BALANCE BAR CENTRAL WITH BETTER SELECTION OF MASTER CYLINDER SIZES HELPS REDUCE INEFFICIENCIES.

ALSO MAKE SURE THAT THE MASTER-CYLINDER PISTONS FULLY RETURN BEFORE USE. THIS CAN BE CHECKED BY FEELING THE PUSHRODS FOR SLIGHT MOVEMENTS THERE SHOULD NOT BE ANY EXCESSIVE LOOSE MOVEMENT.



CP5517-161 - SNAP RING  
ONCE THIS ITEM HAS BEEN REMOVED IT SHOULD BE DISGARDED AND REPLACED WITH A NEW PART, WE RECOMMEND THE RING SHOULD BE FITTED WITH A BULLET AND SHOULD NOT BE OPENED EXCESSIVELY.

SPARE PARTS, SUB-ASSEMBLIES OR KITS							
REF	PART No.	DESCRIPTION	REF	DESCRIPTION	KIT QTY	QTY / ASS	
1	CP5517-157	LONG BALANCE BAR	-	-	1	1	
	CP5528-100	SHORT BALANCE BAR	-	-			
2	CP5520-122	EMPTY HOUSING	-	-	1	1	
			3A	BALANCE BAR SPACER	2	2	
3	CP5517-30	BALANCE BAR EXTRAS KIT	3B	CIRCLIP	2	2	
			3C	M4 GRUB SCREW	4	2	
			3D	SLEEVE	2	1	
			4A	TRUNNION	1	1	
4	CP5508-25	BALANCE BAR TRUNNION KIT	4B	CIRCLIP	2	2	
			4C	BEARING	2	2	
			4D	SNAP RING	2	2	

SCALE 1:1 SHEET 2 OF 2

DRAWN Chris Arrowsmith

APPROVED

DERIVED FROM

TITLE  
**BALANCE BAR ASSEMBLY**

DRG NO. CP5520-25CD