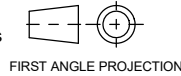


# PUBLICATION P12.087

ISSUE: 2

If this document is printed in hardcopy, it is for information use only and therefore is not subject to updating controls. Always refer to viewer for latest issue.



THIS DRAWING IS CONFIDENTIAL AND IS SUPPLIED ON THE EXPRESS CONDITION THAT IT SHALL NOT BE LOANED OR COPIED OR DISCLOSED TO ANY OTHER PERSON OR USED FOR ANY OTHER PURPOSE WITHOUT THE WRITTEN CONSENT OF AP RACING LTD.



© AP Racing Ltd. 2000

AP Racing  
Wheler Road  
Coventry  
CV3 4LB

Tel: +44 024 7663 9595 e-mail: sales@apracing.co.uk  
Fax: +44 024 7663 9559 Web site: HTTP://www.apracing.com

## SUBARU IMPREZA 17" WHEEL KIT NUMBER CP5570-1000

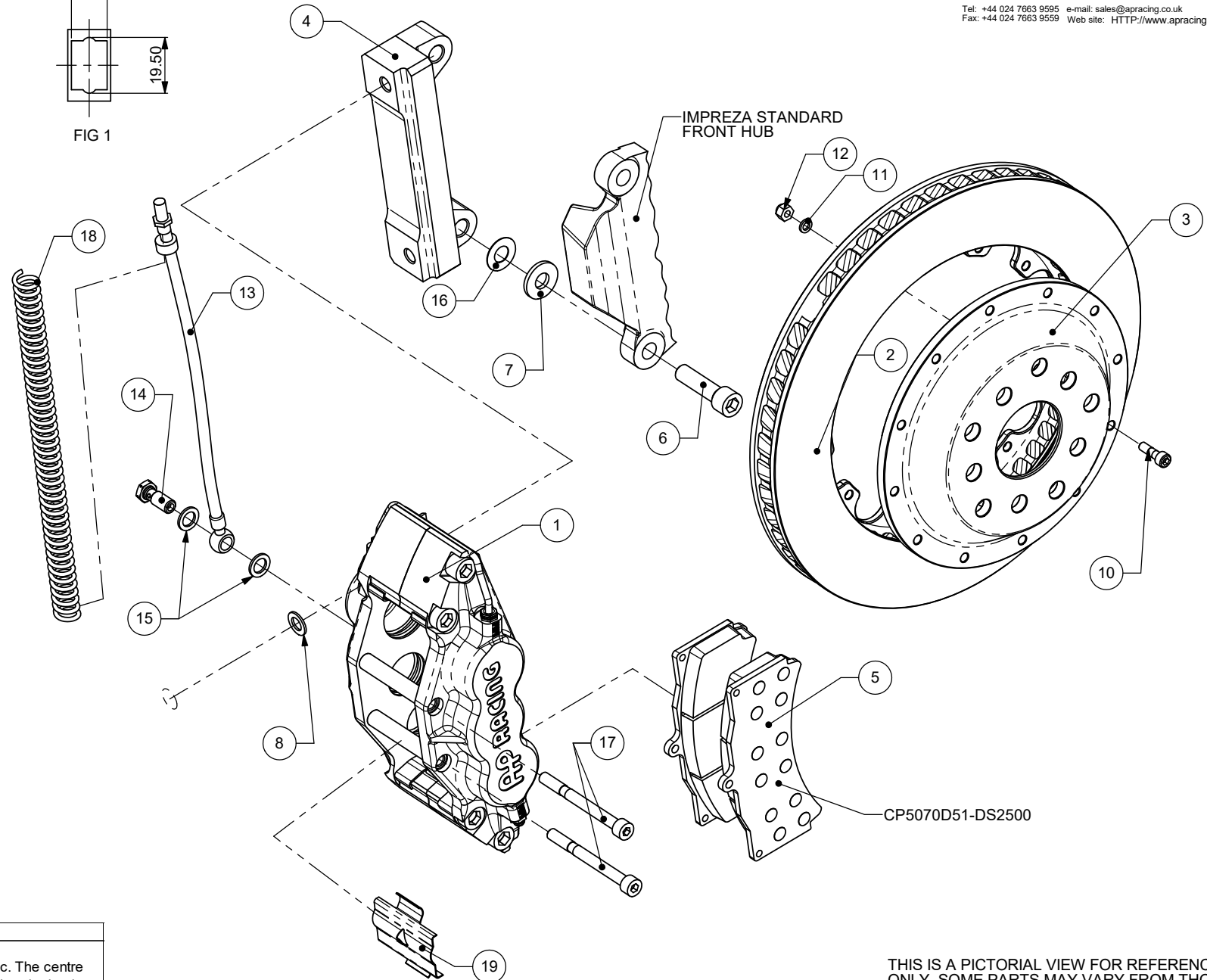
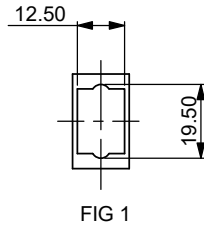
Ref	Description	QTY
1	Caliper Right Hand	1
	Caliper Left Hand	1
2	Disc Right Hand	1
	Disc Left Hand	1
3	Mounting Bell	2
4	Mounting Bracket	2
5	Pad Set	1
6	Bracket Mtg Bolt	4
7	Washer	4
8	Caliper Mtg Bolt	4
9	Washer	4
10	Disc Mtg Bolt	24
11	Washer	24
12	Disc Mtg Nut	24
13	Hose Kit	1
14	Banjo	2
15	Gasket	4
16	0.5mm Shim	12
17	Pad Retainer Bolt	4
18	Nylon Armouring	2
19	Anti-Rattle Clip	2

Tightening Torques	
Part Ref #	Torque
Bolt Ref 6	68NM
Bolt Ref 8	58NM
Bolt Ref 10	14NM
Bolt Ref 14	25NM
Banjo Bolt Ref 17	14NM
Caliper Bleed Screw	17NM

BRAKE DISC WEAR	
NEW	MIN WORN
28.00mm	27.00mm

**Comments**

Disc splash guard is retained, but ensure that it clears the disc. The centre hose location bracket requires the hole enlarging +1mm to allow the banjo fitting to pass through. (see FIG1)



THIS IS A PICTORIAL VIEW FOR REFERENCE ONLY. SOME PARTS MAY VARY FROM THOSE SUPPLIED. AP RACING RESERVE THE RIGHT TO CHANGE COMPONENTS WITHOUT PRIOR NOTICE.  
DRAWN : astrachan