

GENERAL DESCRIPTION
THIS 4 PISTON DIFFERENTIAL BORE CALIPER TO SUIT UP TO Ø380 IRON DISC WITH A THICKNESS OF 28-32mm.

APPLICATION
GENERAL USE CALIPER.

TECHNICAL INFORMATION
TOTAL PISTON AREA: 27.2cm²
BODY MATERIAL: ALUMINIUM ALLOY
PISTON MATERIAL: STAINLESS STEEL

ASSEMBLY WEIGHT (LESS PADS): 2.21Kg
MINIMUM DISC & PAD STACK: 40MM

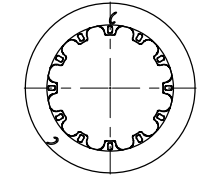
INSTALLATION INFORMATION
DISC & CALIPER MOUNTING TOLERANCES TO BE SUCH THAT THE DISC IS CENTRAL TO THE CALIPER TO WITHIN ±0.5mm. DISC DIAMETRAL CLEARANCE SHOULD BE 2.5mm NOMINAL FROM DISC O/D TO PATHWAY.

KEY TO DIMENSIONS
'PL' DIMN : TOP OF PAD MATERIAL TO MOUNTING FACE.
'U' DIMN : WHEEL CENTRE LINE TO CALIPER MOUNTING FACE = (DISC Ø/2) - PL DIMN

AP RACING TECHNICAL SECTION WILL BE PLEASED TO ADVISE ON THE MOST SUITABLE EQUIPMENT FOR ANY PARTICULAR APPLICATION.

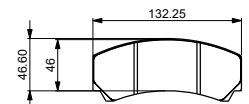
CALIPER PART NUMBERS
CP9450-2S4L - RIGHT HAND
CP9450-3S4L - LEFT HAND

RECOMMENDED DISC AND PAD OPTIONS AVAILABLE
D46 DISC AND PAD COMBINATION



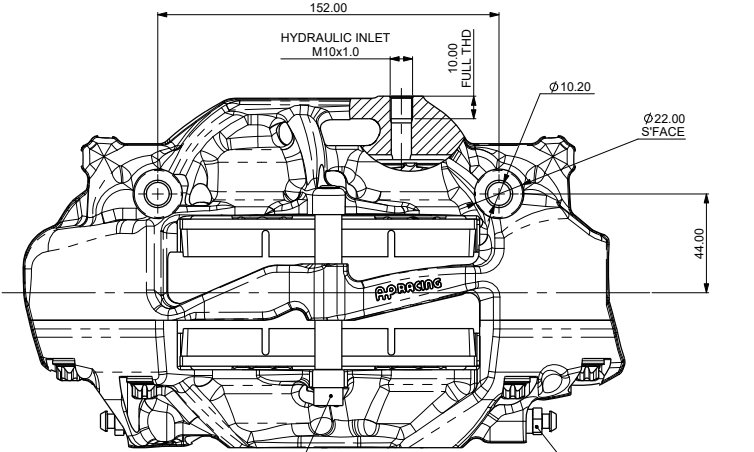
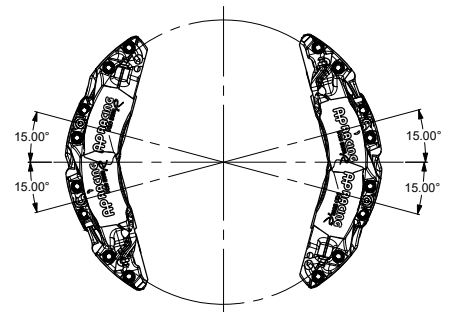
- CP5772-1010/1GA Ø378x32 12F 72V 6.26Kg
- CP5914-1167G12 Ø378x28 12B 48V 6.20Kg
- CP5914-110/1GB Ø378x28 12F 48V 6.28Kg

SEE CUSTOMER DRAWING FOR FULL DETAIL



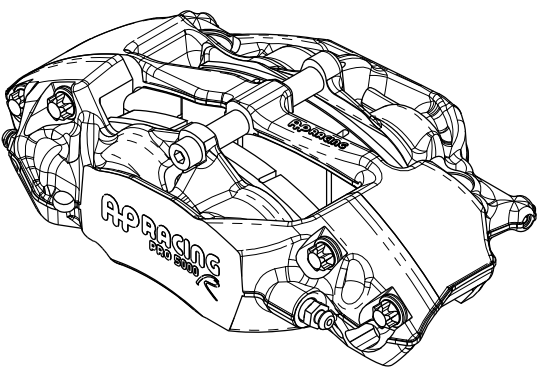
CP3215D46 PAD FAMILY
PAD THICKNESS - 16.75mm
PAD AREA - 50.89cm²
PAD VOLUME - 85.24cm³

OPTIMUM BLEED POSITIONING
FOR OPTIMUM BLEED, THE CALIPER SHOULD BE INSTALLED IN THE LEADING OR TRAILING POSITION BETWEEN THE ANGLES SHOWN



PAD RETAINING BOLT SHOULD BE TIGHTENED TO A TORQUE OF 19Nm (14 Lbs ft)

BLEED SCREW TIGHTENING TORQUE 17.0 Nm (12.5 Lbs ft)



REV	Alterations			
	Date & No.	Particulars	Zone	Initials
1	09/06/16 B7478	FIRST ISSUE		NJS
2	02/08/17 B7726_01	CHANGED TORQUE SPECIFICATION FOR PAD RETAINER BOLT	C7	SGW
3	23/08/2023 RAC23531	SHEET 2 AKB SPRING KIT ADDED TO SPARES TABLE AND MODEL	K10	HMB

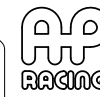
SCALE 1:1	SHEET 1 OF 2
DRAWN N STEVENS	
APPROVED	
DERIVED FROM	
TITLE 4 POT PRO5000 R CALIPER INSTALLATION	
DRG NO.	CP9450-1CD

B1 ASSEMBLY DRAWING

IF THIS DOCUMENT IS PRINTED IN HARDCOPY, IT IS FOR INFORMATION USE ONLY AND THEREFORE IS NOT SUBJECT TO UPDATING CONTROLS. ALWAYS REFER TO SOLIDWORKS VIEWER FOR LATEST ISSUE

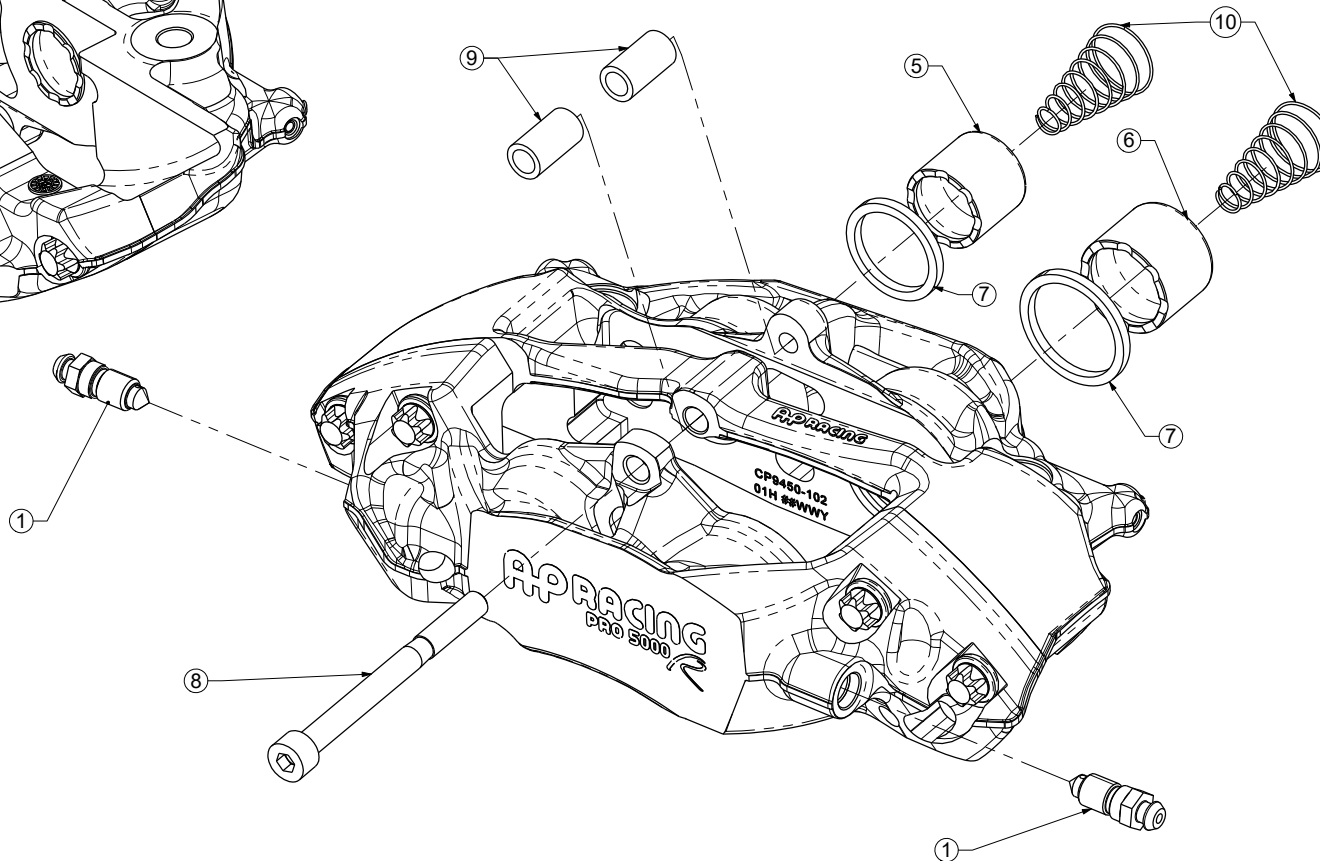
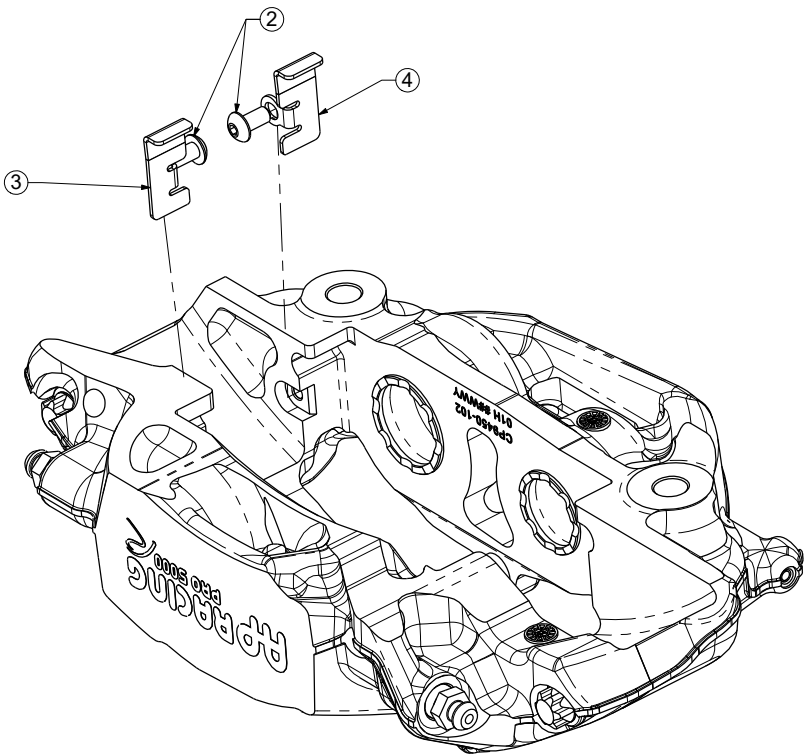
FIRST ANGLE PROJECTION

THIS DRAWING IS CONFIDENTIAL AND IS SUPPLIED ON THE EXPRESS CONDITION THAT IT SHALL NOT BE LOANED OR COPIED OR DISCLOSED TO ANY OTHER PERSON OR USED FOR ANY OTHER PURPOSE WITHOUT THE WRITTEN CONSENT OF AP RACING LTD.



AP Racing
Wheler Road
Coventry
CV3 4LB
Tel: +44 024 7663 9595
Fax: +44 024 7663 9559
e-mail: sales@apracings.co.uk
Web site: HTTP://www.apracings.com

REF	PART NUMBER	DESCRIPTION	QTY / CALIPER	FITTING NOTES
1	CP3880-1	M10 BLEED SCREW KIT	2	TIGHTENING TORQUE - 17Nm
2	CP9440-116	M5 BUTTON SCREW	2	APPLY A 1-2MM DROP OF LOCTITE 270 TO THE 2ND FROM LAST THREAD WHEN FITTING. TIGHTENING TORQUE - 3.7Nm
3	CP9444-112	RH WEARPLATE	1	APPLY 736 RTV SILICONE SPARINGLY BEHIND THE ABUTMENT PLATE ENSURING ENTIRE CONTACT FACE IS COVERED.
4	CP9444-113	LH WEARPLATE		APPLY PRESSURE TO ABUTMENT FILM PLATE WHEN FITTING TO ENSURE MINIMUM FILM THICKNESS AND AVOID ANY GAP.
5	CP9450-106	Ø27MM SST PISTON	2	ENSURE ABUTMENT PLATE SITS CORRECTLY AGAINST CALIPER BODY BEFORE FITTING RETAINING SCREW.
6	CP9445-108	Ø1 1/4" SST PISTON	2	
7	CP8518-CE	PISTON SEAL KIT	1	REFER TO PUBLICATION REF: P14.290 & P14.220
8	CP3596-112ST	M8 CAP SCREW	1	TIGHTENING TORQUE - 13.1Nm
9	CP9440-110	PAD RETAINER TUBE	2	
10	CP6518-4LBSS	4lb AKB SPRING KIT	1	



REV	Alterations		
	Date & No.	Particulars	Zone / Initials
1		SEE SHEET 1 FOR ISSUE INFORMATION.	

SCALE 1.5:1	SHEET 2 OF 2
DRAWN	N STEVENS
APPROVED	
DERIVED FROM	
TITLE	
DRG NO.	CP9450-1CD