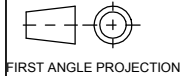


A2 INSTALLATION DRAWING

If this document is printed in hardcopy, it is for information use only and therefore is not subject to updating controls. Always refer to viewer for latest issue.



THIS DRAWING IS CONFIDENTIAL AND IS SUPPLIED ON THE EXPRESS CONDITION THAT IT SHALL NOT BE LOANED OR COPIED OR DISCLOSED TO ANY OTHER PERSON OR USED FOR ANY OTHER PURPOSE WITHOUT THE WRITTEN CONSENT OF AP RACING LTD.



AP Racing
Wheler Road
Coventry
CV3 4LB

Tel: +44 024 7663 9595
Fax: +44 024 7663 9559
e-mail: sales@apracing.co.uk
Web site: http://www.apracing.com

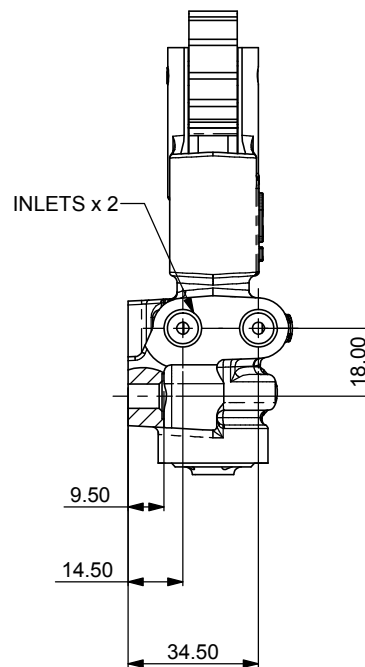
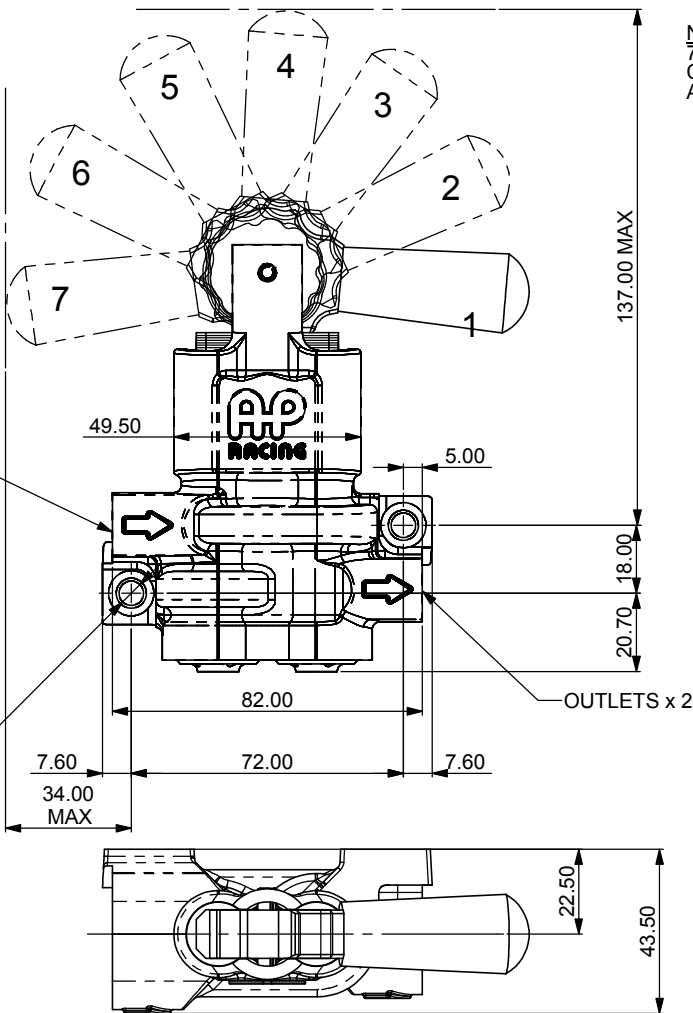
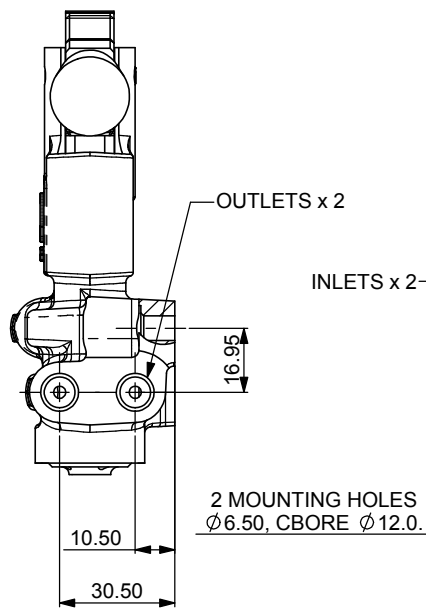
© AP Racing Ltd. 2005

PART NUMBER : CP4550-1

ALL HYDRAULIC THREADS ARE M10x1.0.

AP RACING TECHNICAL SECTION WILL BE PLEASED TO ADVISE ON THE MOST SUITABLE EQUIPMENT FOR ANY PARTICULAR APPLICATION AND CAN PROVIDE MORE DETAILED TECHNICAL INFORMATION IF REQUIRED.

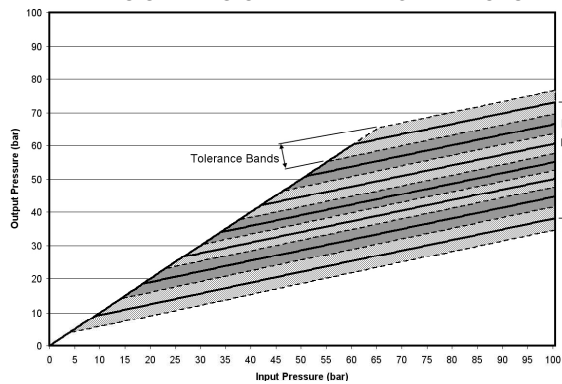
NOTE:
7 POSITIONS ON CAM/LEVER FOR ADJUSTMENT



DUE TO INTERNAL ADJUSTMENTS THAT ARE SET WHEN THE UNIT IS BUILT AT AP RACING, DO NOT DISASSEMBLE.

CP4550-1, TWIN BORE PROPORTIONING VALVE, PERFORMANCE CHARTS

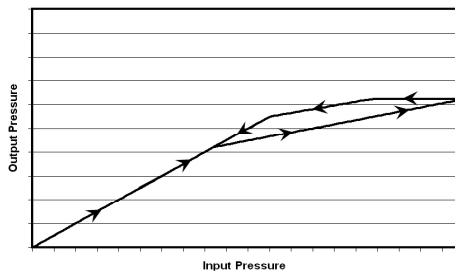
VALVES SETTING CHART WITH TOLERANCES



Output Pressure With 100 bar Input Pressure

Posn	Nom	Min	Max
1	38.0	34.5	41.5
2	44.5	41.5	47.5
3	50.0	47.5	52.5
4	55.0	52.5	57.5
5	60.5	57.5	63.5
6	66.5	63.5	69.5
7	73.0	69.5	76.5

TYPICAL VALVE PERFORMANCE



GRAPH NOTES:
HYSTERESIS IS GREATER WITH LOWER POSITIONS AND IS AFFECTED BY THE REAR FLUID DISPLACEMENT.

Issue No.	Date & No.	Alterations		Zone	Initials
		Particulars			
1	27/04/07 B4467	FIRST ISSUE		#	cda
2	04/09/2009	GRAPHS UPDATED		#	cda

SCALE 1:1	SHEET 1 OF 1
DRAWN	Chris Arrowsmith
APPROVED	
DERIVED FROM	
TITLE	
TWIN BORE PROPORTIONING VALVE	
DRG NO.	CP4550-1CD