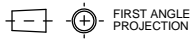


# A0 INSTALLATION DRAWING

IF THIS DOCUMENT IS PRINTED IN HARD COPY, IT IS FOR INFORMATION USE ONLY AND THEREFORE IS NOT SUBJECT TO UPDATING CONTROLS. ALWAYS REFER TO SOLIDWORKS VIEWER FOR LATEST ISSUE

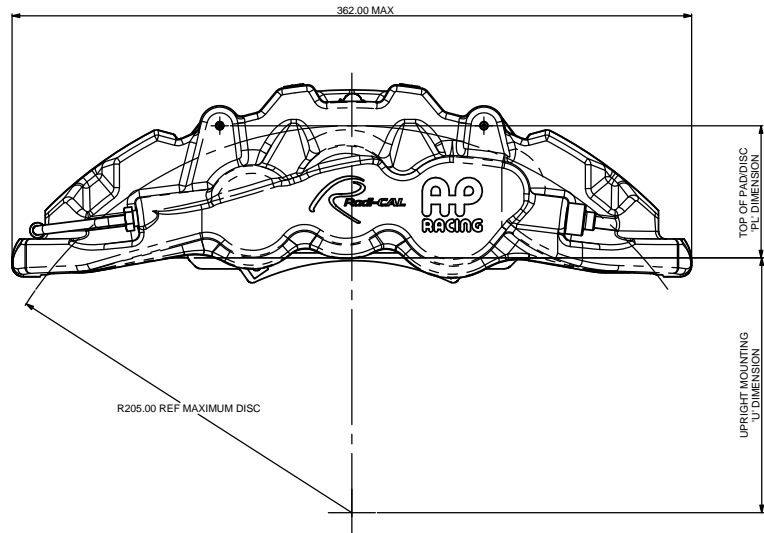
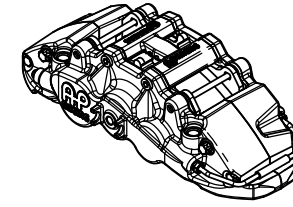
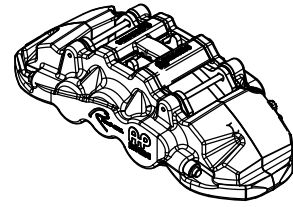


THIS DRAWING IS CONFIDENTIAL AND IS SUPPLIED ON THE EXPRESS CONDITION THAT IT SHALL NOT BE LOANED OR COPIED OR DISCLOSED TO ANY OTHER PERSON OR USED FOR ANY OTHER PURPOSE WITHOUT THE WRITTEN CONSENT OF AP RACING LTD.

**AP RACING**  
 AP Racing  
 Wheeler Road  
 Coventry  
 CV3 4LB  
 Tel: +44 (0)24 7663 9595  
 Fax: +44 (0)24 7663 9599  
 e-mail: sales@apracings.co.uk  
 © AP Racing Ltd. 2005  
 Web site: HTTP://www.apracings.com

## CALIPER SPECIFICATION

BORE SIZE	CEJ (27.00 x 31.80 x 38.10) (1.06" x 1.25" x 1.50")
PISTON AREA	25.0cm <sup>2</sup>
DISC DIAMETER MAX	410.00
DISC THICKNESS MAX	36.00
DISC THICKNESS MIN (WORN CONDITION)	34.00 (DIFFERENTIAL WEAR NOT TO EXCEED 0.50mm SIDE TO SIDE)
WORKING PRESSURES	SEE DATA SHEET P14.296 (AVAILABLE FROM AP RACING TECHNICAL DEPT)
HYDRAULIC FEED	M10 x 1.0
DRY WEIGHT (LESS PADS)	4.65kg
PAD FAMILY	CP7555
EFFECTIVE RADIUS (ON DIAMETER 410.00 DISC)	168.50
PL' DIMENSION	70.00
OFFSET 'C' DIMENSION	49.50
MOUNTING HOLE CENTRES 'D' DIMENSION	195.00
PAD FRICTION MATERIAL	2.50
PAD RETENTION	2 x FRICTION RETAINED PINS
TIGHTENING TORQUES	BLEED SCREW: 17Nm HYDRAULIC FEED: 25Nm H-PIECE RETAINER: 27.1Nm
CORROSION PROTECTION	FLUID RESISTANT PAINT FINISH ALUMINIUM BODY BOOT TYPE DIRT SEALS

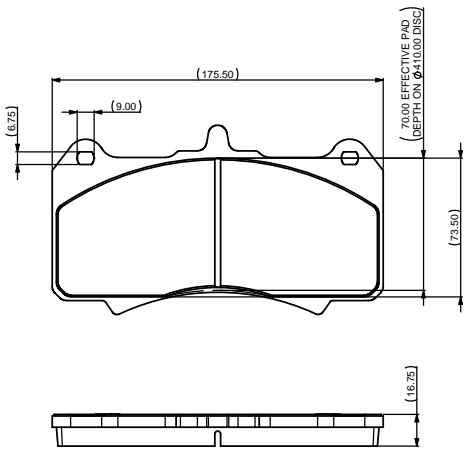


## CALIPER POSITIONING

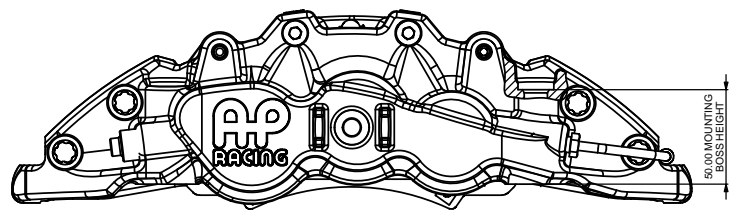
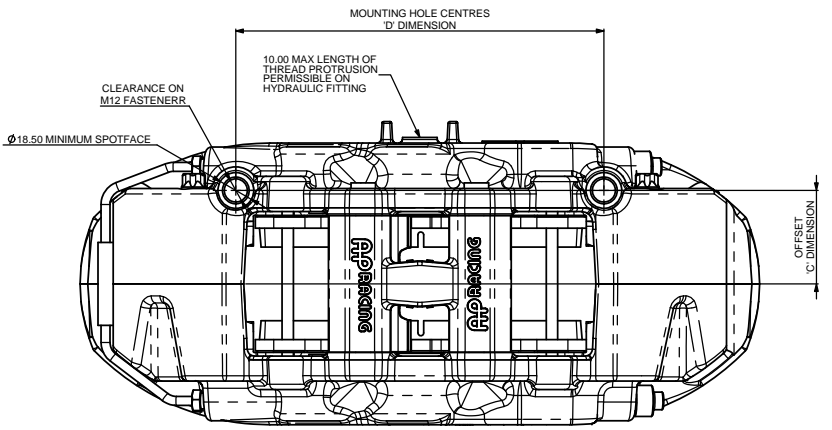
RHT	RIGHT HAND TRAILING (BEHIND AXLE)
LHT	LEFT HAND TRAILING (BEHIND AXLE)
RHL	RIGHT HAND LEADING (IN FRONT OF AXLE)
LHL	LEFT HAND LEADING (IN FRONT OF AXLE)

## PART NUMBERING CONVENTION

PART NUMBER	DESCRIPTION
CP8522-2S0	RHT - SIDE FEED - NO ANTI KNOCK BACK SPRINGS
CP8522-3S0	LHT - SIDE FEED - NO ANTI KNOCK BACK SPRINGS
CP8522-4S0	RHL - SIDE FEED - NO ANTI KNOCK BACK SPRINGS
CP8522-5S0	LHL - SIDE FEED - NO ANTI KNOCK BACK SPRINGS



CP7555 PAD FAMILY  
 PAD AREA (MAX) 108.9 cm<sup>2</sup>



Alterations		Date & No.	Particulars	#	OM
1	4/6/13 R3264	FIRST ISSUE			
2	28/7/14 R3264	H-PIECE RETAINER TORQUE ADDED: Ø410.00 AND Ø380.00 RADIAL PROFILE UPDATED.		L4	OM

SCALE 1:1 SHEET 1 OF 2  
 DRAWN OLIVER MOORE  
 APPROVED  
 DERIVED FROM  
 TITLE  
 6 PISTON CALIPER INSTALLATION DRAWING  
 Ø410.00mm x 36.00mm MAX DISC (CEJ BORES)  
 DRG NO. CP8522-2-5S0\_CD

FOR INSTALLED PROFILES SEE SHEET 2

# A0 INSTALLATION DRAWING

IF THIS DOCUMENT IS PRINTED IN HARDCOPY, IT IS FOR INFORMATION USE ONLY AND THEREFORE IS NOT SUBJECT TO UPDATING CONTROLS. ALWAYS REFER TO SOLIDWORKS VIEWER FOR LATEST ISSUE



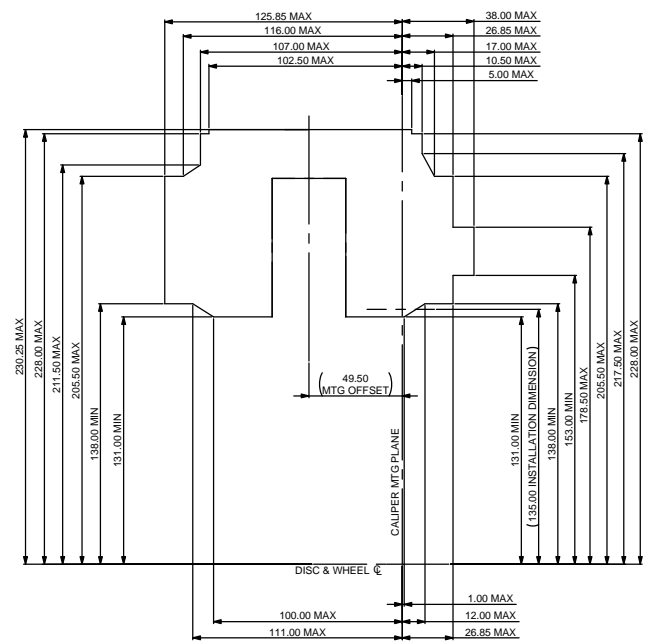
FIRST ANGLE PROJECTION

THIS DRAWING IS CONFIDENTIAL AND IS SUPPLIED ON THE EXPRESS CONDITION THAT IT SHALL NOT BE LOANED OR COPIED OR DISCLOSED TO ANY OTHER PERSON OR USED FOR ANY OTHER PURPOSE WITHOUT THE WRITTEN CONSENT OF AP RACING LTD.

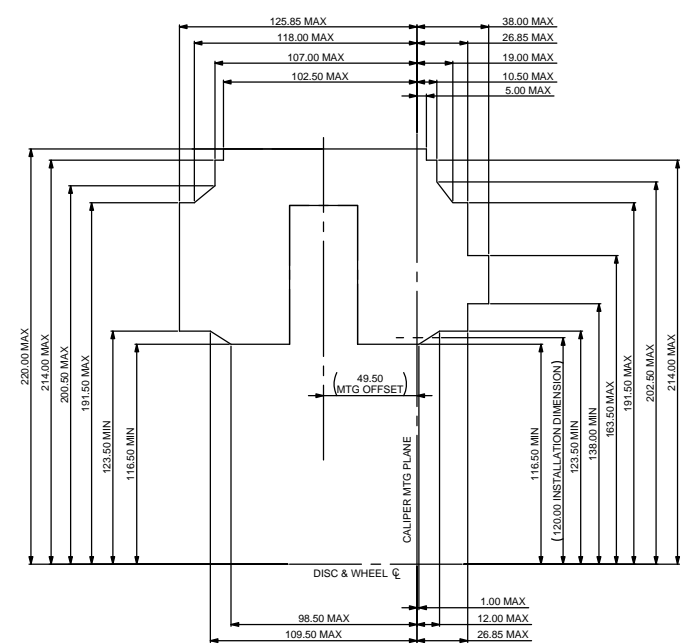


**AP Racing**  
Wheler Road  
Coventry  
CV3 4LB  
Tel: +44 (0)24 7663 9595  
Fax: +44 (0)24 7663 9599  
e-mail: sales@apracings.co.uk  
© AP Racing Ltd. 2005  
Web site: HTTP://www.apracings.com

Alterations		Zone	Index
Date & No.	Particulars		
09/02	SEE SHEET 1 FOR ISSUE INFORMATION.		



**CALIPER INSTALLED PROFILE ON  $\phi$ 410.00 x 36.00 DISC**



**CALIPER INSTALLED PROFILE ON  $\phi$ 380.0 x 36.00 DISC**

SCALE 1:1	SHEET 2 OF 2
DRAWN OLIVER MOORE	
APPROVED	
DERIVED FROM	
TITLE	
6 PISTON CALIPER INSTALLATION DRAWING	
$\phi$ 410.00 x 36.00 MAX DISC (EHK BORES)	
DRG NO.	CP8522-2-5S0_CD