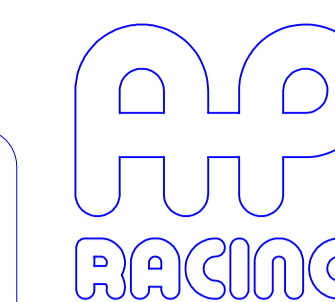


B1 INSTALLATION DRAWING

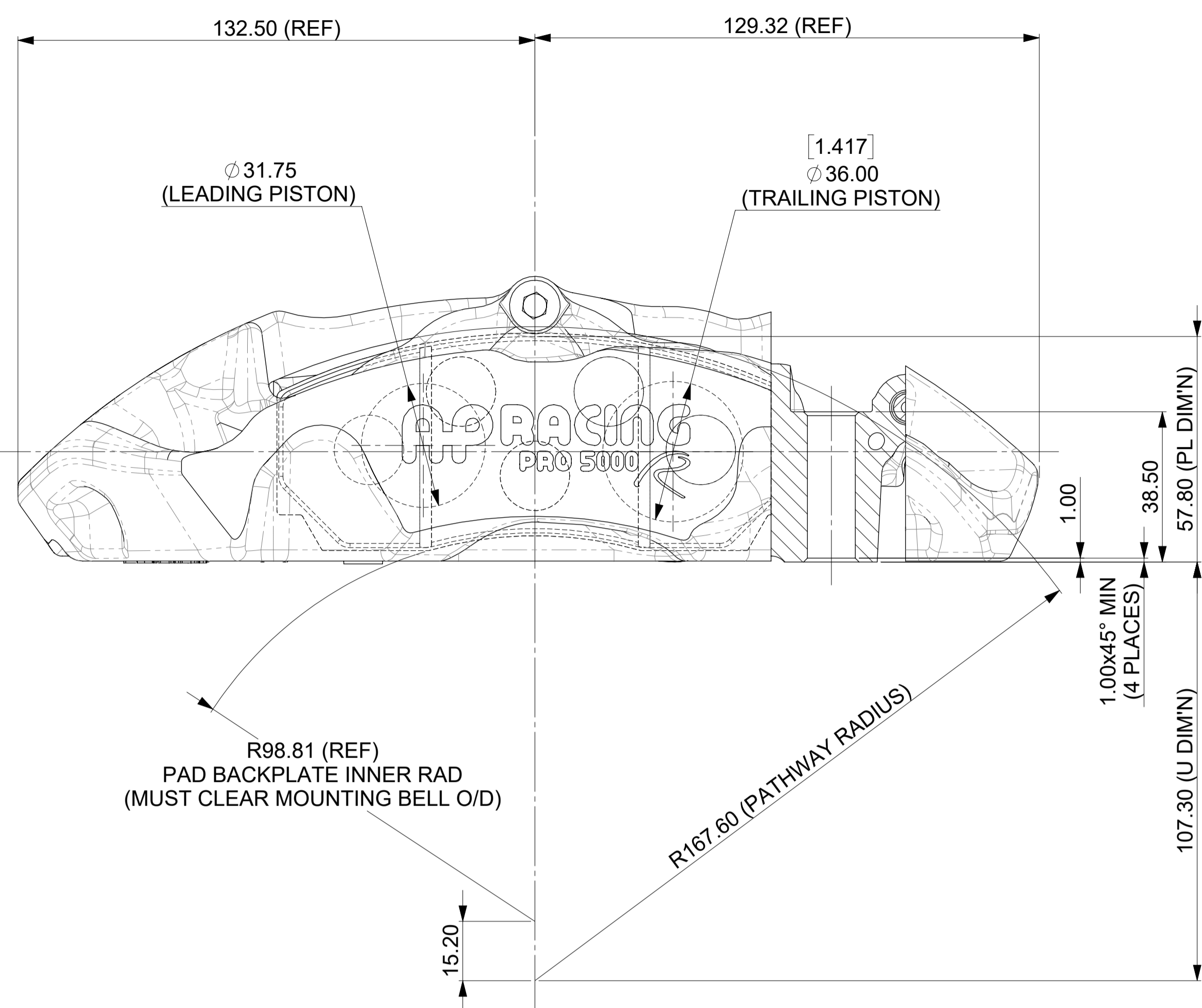
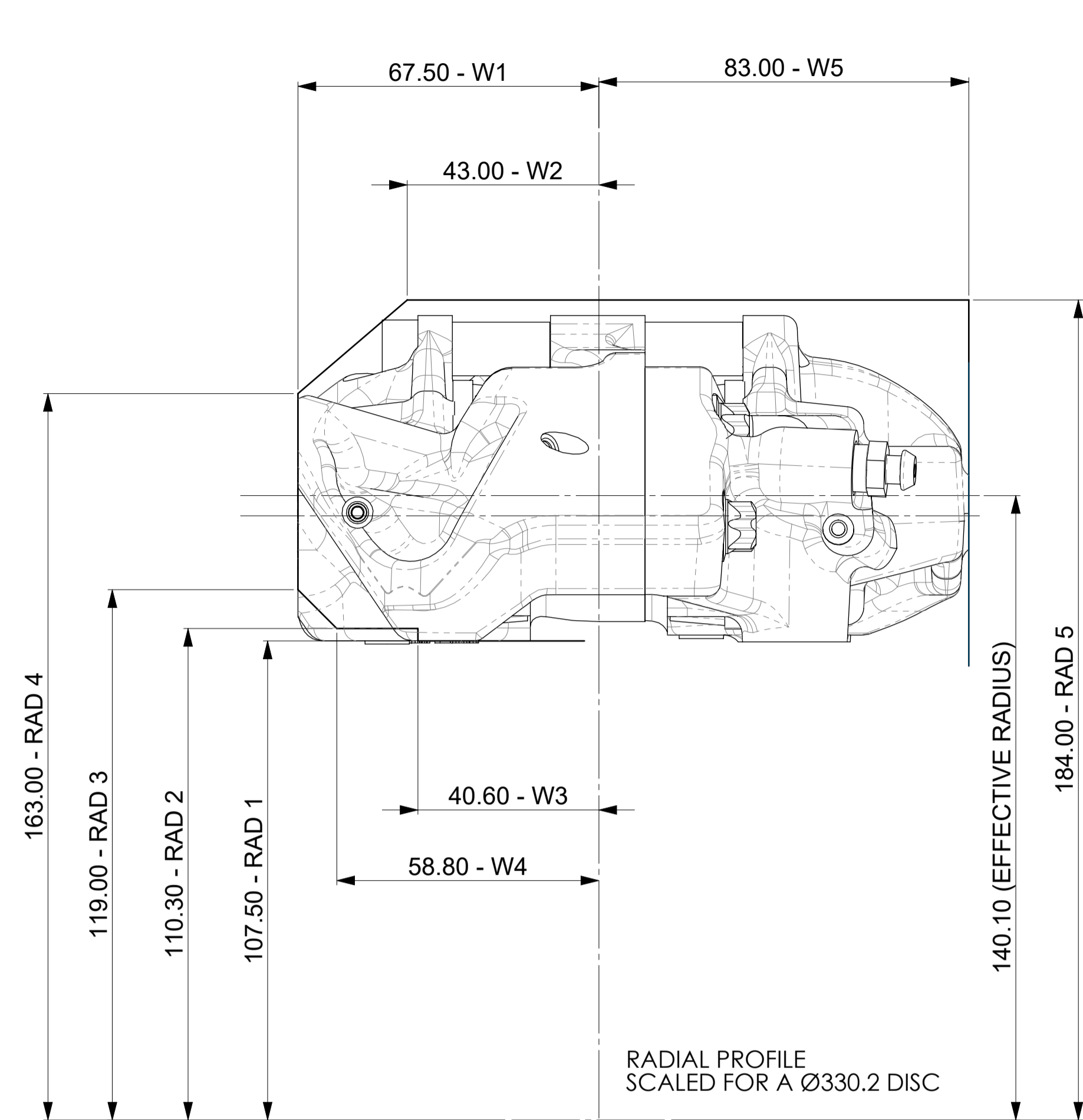
IF THIS DOCUMENT IS PRINTED IN HARDCOPY, IT IS FOR INFORMATION USE ONLY AND THEREFORE IS NOT SUBJECT TO UPDATING CONTROLS. ALWAYS REFER TO SOLIDWORKS VIEWER FOR LATEST ISSUE



THIS DRAWING IS CONFIDENTIAL AND IS SUPPLIED ON THE EXPRESS CONDITION THAT IT SHALL NOT BE LOANED OR COPIED OR DISCLOSED TO ANY OTHER PERSON OR USED FOR ANY OTHER PURPOSE WITHOUT THE WRITTEN CONSENT OF AP RACING LTD.



AP Racing
 Wheler Road
 Coventry
 CV3 4LB
 Tel: +44 024 7663 9595
 Fax: +44 024 7663 9559
 e-mail: sales@apracing.co.uk
 Web site: [HTTP://www.apracing.com](http://www.apracing.com)



DISC Ø	EFF RAD	RAD 1	RAD 2	RAD 3	RAD 4	RAD 5	W1	W2	W3	W4	W5
315	132.6	100.00	102.80	111.50	156.75	178.75	67.50	43.00	40.60	58.80	83

GENERAL DESCRIPTION
 4 PISTON DIFFERENTIAL BORE CALIPER TO SUIT UP TO 330.2 x 28 IRON DISC.

APPLICATION
 GENERAL USE CALIPER

TECHNICAL INFORMATION
 TOTAL PISTON AREA: 36.19cm²
 BODY MATERIAL: ALUMINIUM ALLOY
 PISTON MATERIAL: STAINLESS STEEL

ASSEMBLY WEIGHT (LESS PADS): 2.2Kg

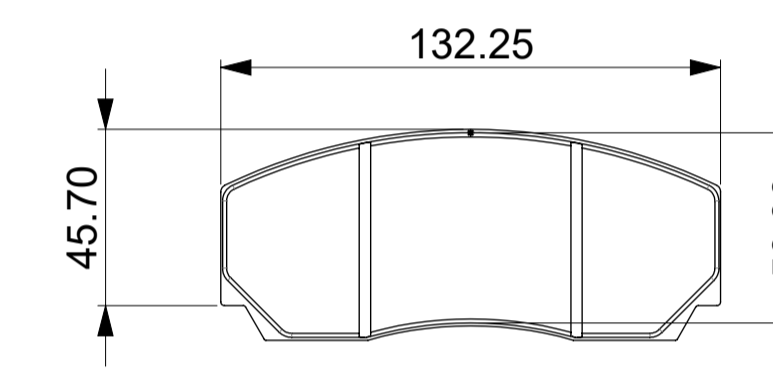
INSTALLATION INFORMATION
 DISC & CALIPER MOUNTING TOLERANCES TO BE SUCH THAT THE DISC IS CENTRAL TO THE CALIPER TO WITHIN ±0.5mm. DISC DIAMETRAL CLEARANCE SHOULD BE 2.5mm NOMINAL FROM DISC O/D TO PATHWAY.

KEY TO DIMENSIONS
 'PL' DIMN : TOP OF PAD MATERIAL TO MOUNTING BOSS FACE, WITH PAD SITTING DOWN ON LEDGE.
 'U' DIMN : WHEEL CENTRE LINE TO CALIPER MOUNTING BOSS FACE = (DISC Ø/2) - PL DIMN

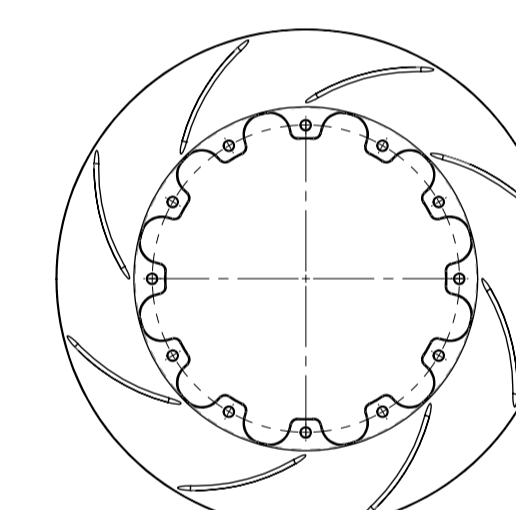
AP RACING TECHNICAL SECTION WILL BE PLEASED TO ADVISE ON THE MOST SUITABLE EQUIPMENT FOR ANY PARTICULAR APPLICATION.

CALIPER PART NUMBERS
 CP9441-2S4L - RIGHT HAND
 CP9441-3S4L - LEFT HAND

RECOMMENDED DISC AND PAD OPTIONS AVAILABLE
 D50 DISC AND PAD COMBINATION

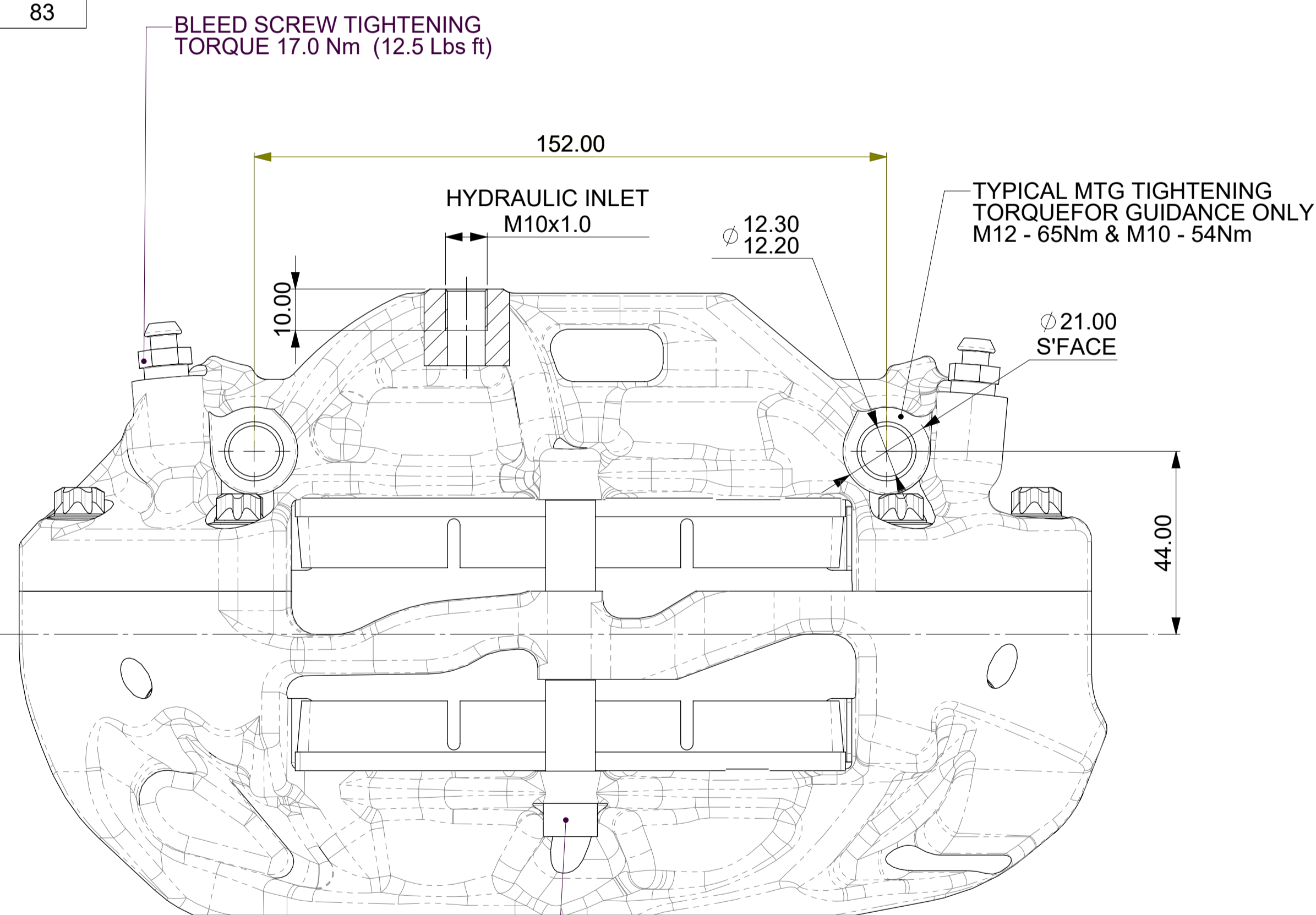


CP3215D50 PAD FAMILY
 PAD AREA - 57.37CM²
 PAD VOLUME - 97.53CM³

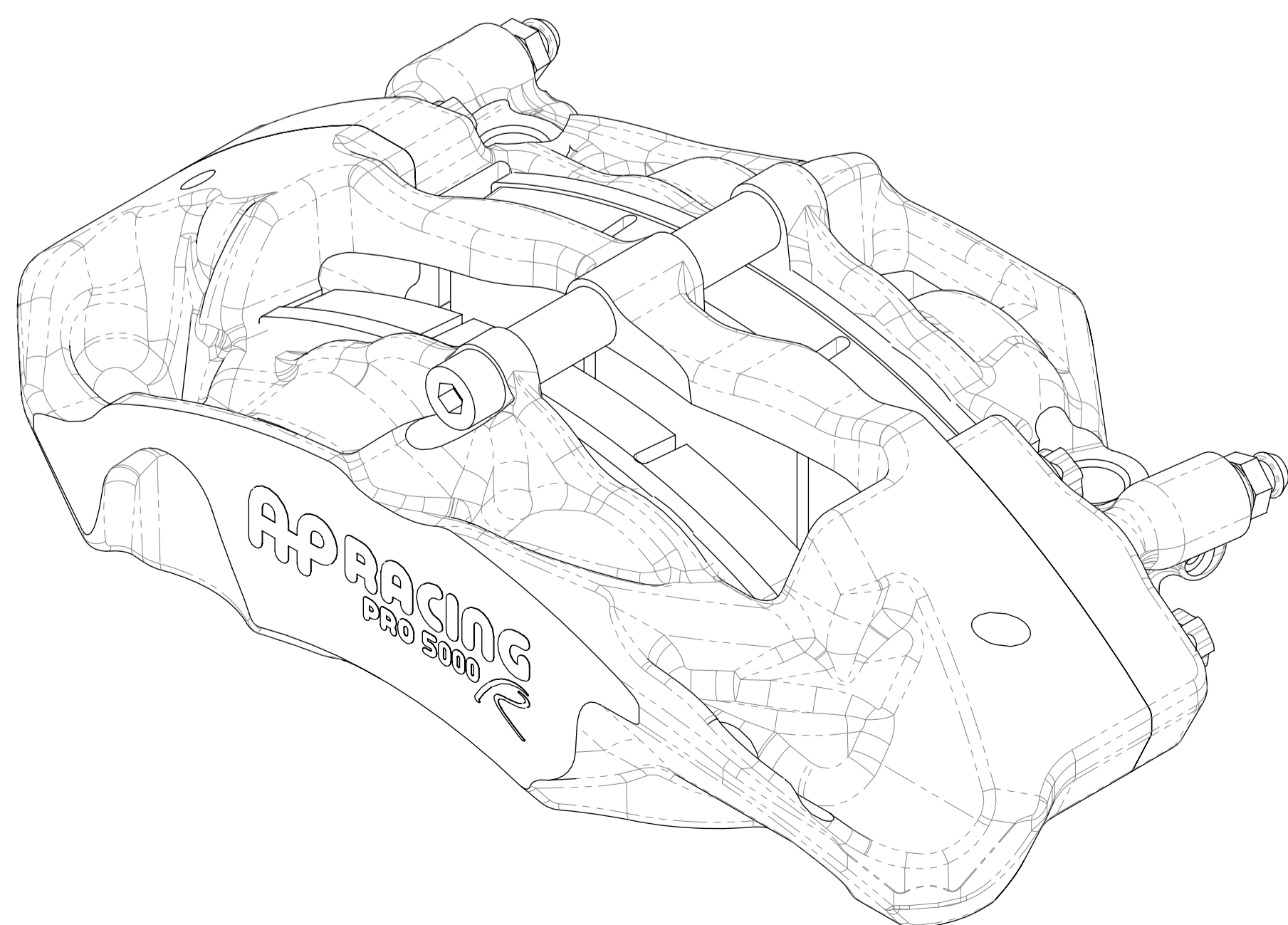


CP5000-210/1CG8 Ø330x28 12B 36v 4.94Kg
CP3580-2898/9CG8 Ø330x28 12B 48v 5.94Kg
CP5000-220/1CG8 Ø315x28 12B 36v 5.64Kg

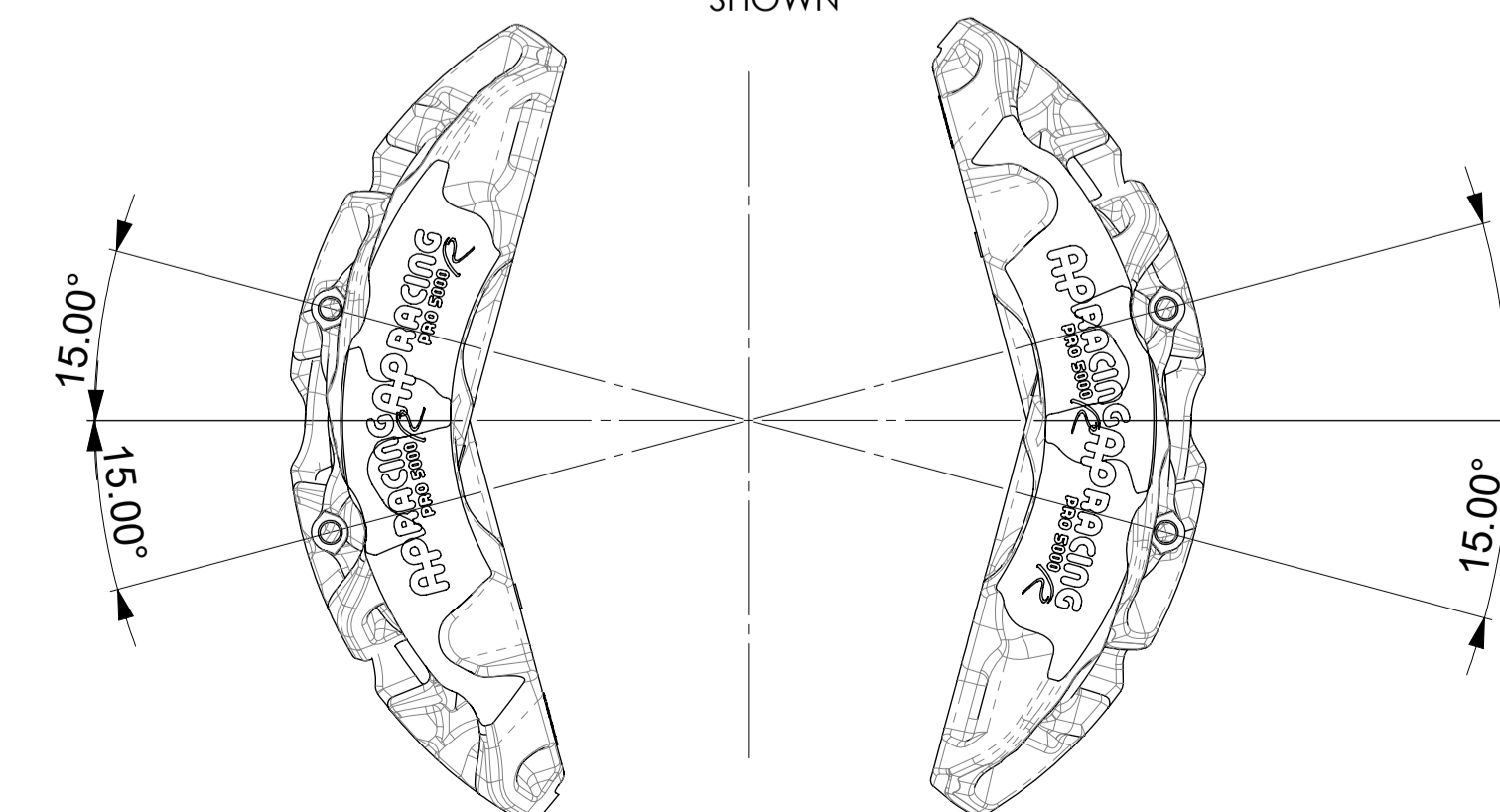
SEE CUSTOMER DRAWING FOR FULL DETAIL



PAD RETAINING BOLT SHOULD BE TIGHTENED TO A TORQUE OF 19Nm (14lbs ft)



OPTIMUM BLEED POSITIONING
 FOR OPTIMUM BLEED, THE CALIPER SHOULD BE INSTALLED IN THE LEADING OR TRAILING POSITION BETWEEN THE ANGLES SHOWN



Issue No.	Alterations		Zone	Initials
	Date & No.	Particulars		
1	28/04/14 B6957	FIRST ISSUE	#	JH
2	13/11/14 B6957	DISC OPTIONS ADDED	#	CH
3	19/11/14 B6957	RADIAL PROFILE UPDATED RADIAL PROFILE TABLE ADDED DISC OPTIONS UPDATED	#	CH
4	28/05/15 RAC22157	PISTON SEAL KIT UPDATED	#	CH
5	02/08/17 B7726_01	CHANGED TORQUE SPECIFICATION TO PAD RETAINER BOLT	#	SGW

SCALE 1:1	SHEET 1 OF 2
DRAWN	J.HERITAGE
APPROVED	
DERIVED FROM	CP9440-1CD
TITLE	
GENERAL USE 4-PISTON BRAKE CALIPER	
DRG NO.	CP9441-1CD

