

A0 INSTALLATION DRAWING

IF THIS DOCUMENT IS PRINTED IN HARD COPY IT IS FOR INFORMATION USE ONLY AND THEREFORE IS NOT SUBJECT TO UPDATING CONTROLS. ALWAYS REFER TO SOLIDWORKS VIEWER FOR LATEST ISSUE



THIS DRAWING IS CONFIDENTIAL AND IS SUPPLIED ON THE EXPRESS CONDITION THAT IT SHALL NOT BE LOANED OR COPIED OR DISCLOSED TO ANY OTHER PERSON OR USED FOR ANY OTHER PURPOSE WITHOUT THE WRITTEN CONSENT OF AP RACING LTD.



AP Racing
 Wheler Road
 Coventry
 CV3 4LB
 Tel: +44 024 7663 9595
 Fax: +44 024 7663 9599
 e-mail: sales@aprac.com
 Web site: HTTP://www.aprac.com

CALIPER SPECIFICATION

PISTON AREA	11.4cm ² (PER PAD)
DISC DIAMETER MAX	22.8cm ² (TOTAL)
DISC DIAMETER MIN	380 (SWEEP DEPTH = 61.00")
DISC WIDTH MAX	CP9582-2-5S0## = 32.00 CP9582-6-9S0## = 28.00
DISC WIDTH MIN (WORN CONDITION)	CP9582-2-5S0## = 31.00 CP9582-6-9S0## = 27.00 (DIFFERENTIAL WEAR NOT TO EXCEED 0.50mm SIDE TO SIDE)
DISC ROTATION	ROTATING DISC MUST PASS SMALLEST PISTON FIRST**
WORKING PRESSURES	SEE DATA SHEET P14.385 (AVAILABLE FROM AP RACING CUSTOMER SERVICES)
DRY WEIGHT (LESS PADS)	3.20kg est.
DRY WEIGHT (INC. PADS)	4.40kg est.
PAD RETENTION	2 x FRICTION RETAINED PINS
RECOMMENDED WHEEL/CALIPER CLEARANCE	4.00 (MIN)
AVAILABLE COLOURS	RED (R12), BLACK (BG4), SILVER (S10)
RECOMMENDED PAD FRICTION MATERIAL	APF405
SEAL KIT	CP4527-CC
ANTI-RATTLE CLIP	CP9580-119
PAD RETAINING PIN	CP7715-114
ELVR COMPLIANCE	ALL MATERIALS AND COATINGS COMPLY WITH END OF LIFE VEHICLES (2000/53/EC)

AVAILABLE PART NUMBERS

PART NUMBER	CALIPER POSITIONING
CP9582-2S0## / CP9581-6S0##	RIGHT HAND TRAILING (BEHIND AXLE)
CP9582-3S0## / CP9582-7S0##	LEFT HAND TRAILING (BEHIND AXLE)
CP9582-4S0## / CP9582-8S0##	RIGHT HAND LEADING (IN FRONT OF AXLE)
CP9582-5S0## / CP9582-9S0##	LEFT HAND LEADING (IN FRONT OF AXLE)

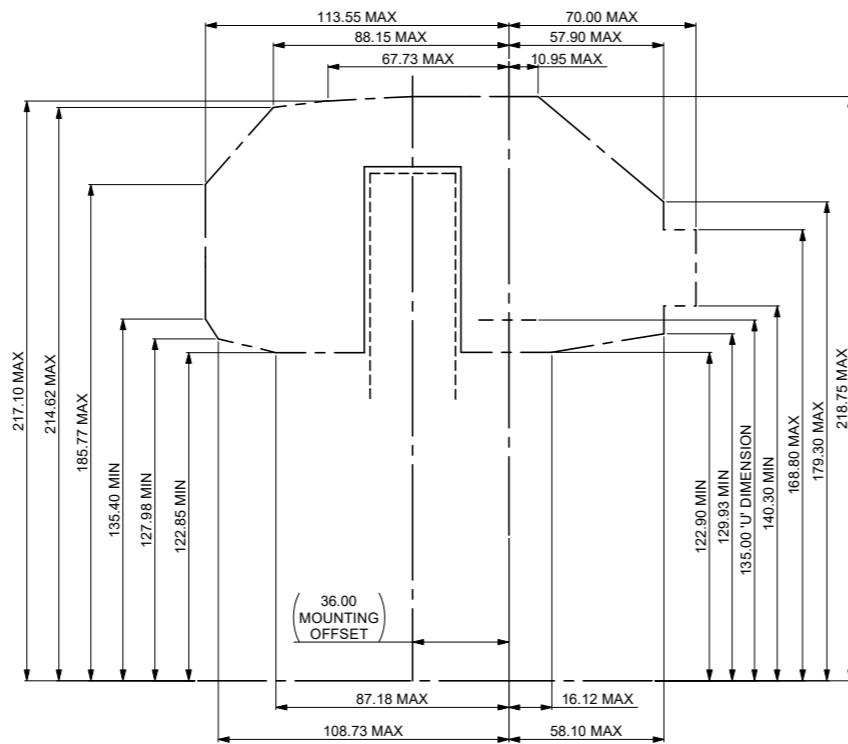
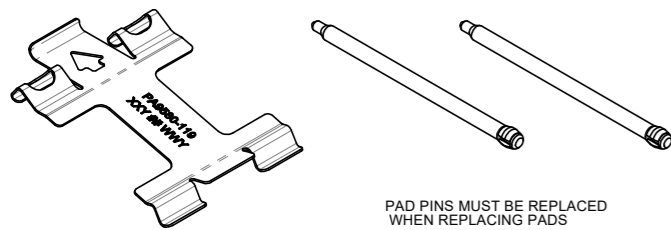
= COLOUR CODE, SEE AVAILABLE COLOURS (ABOVE)

FOR FURTHER TECHNICAL INFORMATION, PLEASE REFER TO THE PRODUCT CATALOGUE, APRACING.COM OR CUSTOMER SERVICES.

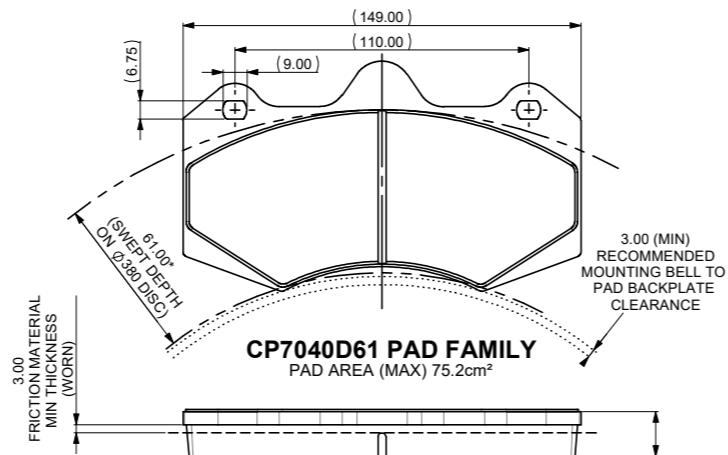
Typical Max. Vehicle GVW as per P14.385

Caliper Installed Position	Vehicle Configuration	
	Front Engine	Rear Engine
Front Axle Application	1430 kg (3150 lbs)	1670 kg (3680 lbs)
Rear Axle Application	2510 kg (5530 lbs)	2010 kg (4430 lbs)

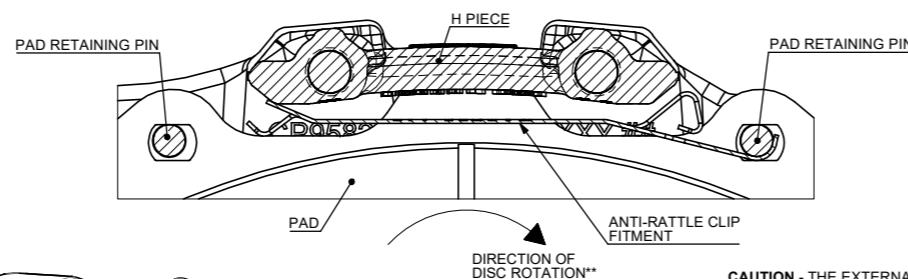
1x ANTI-RATTLE CLIP AND 2x PAD RETAINING PINS INCLUDED (NOT FITTED)



CALIPER INSTALLED PROFILE ON Ø380 DISC



CP7040D61 PAD FAMILY
 PAD AREA (MAX) 75.2cm²



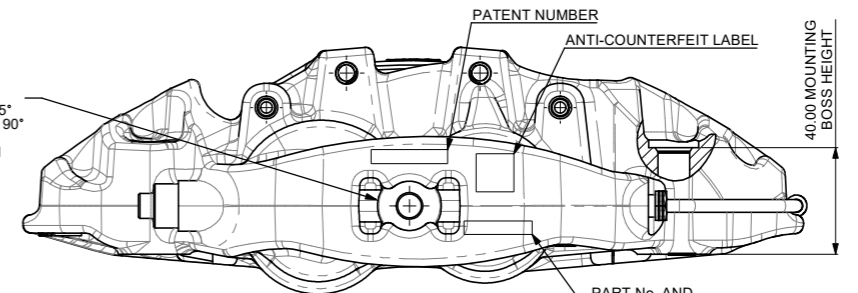
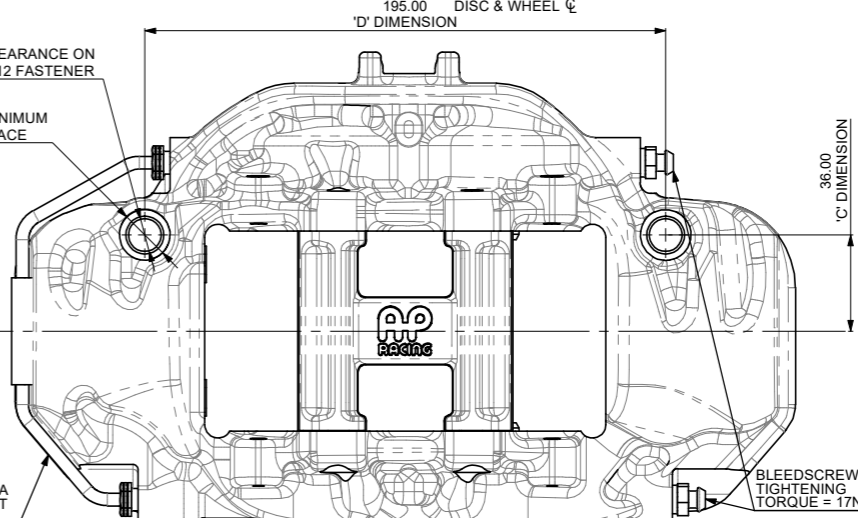
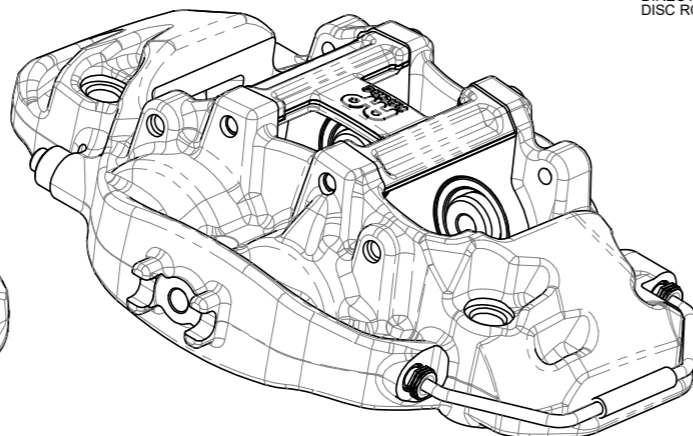
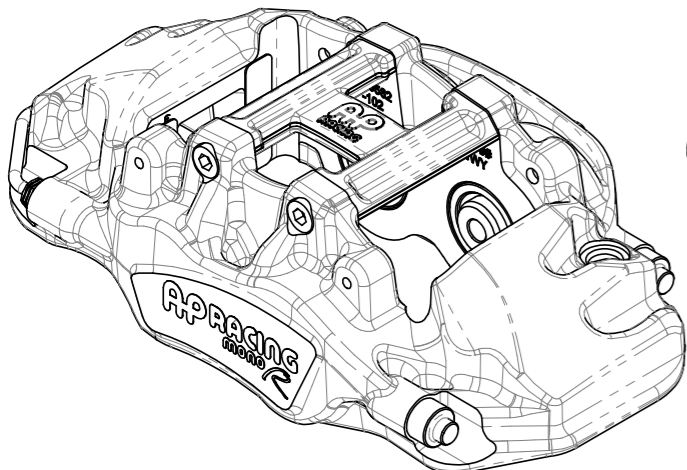
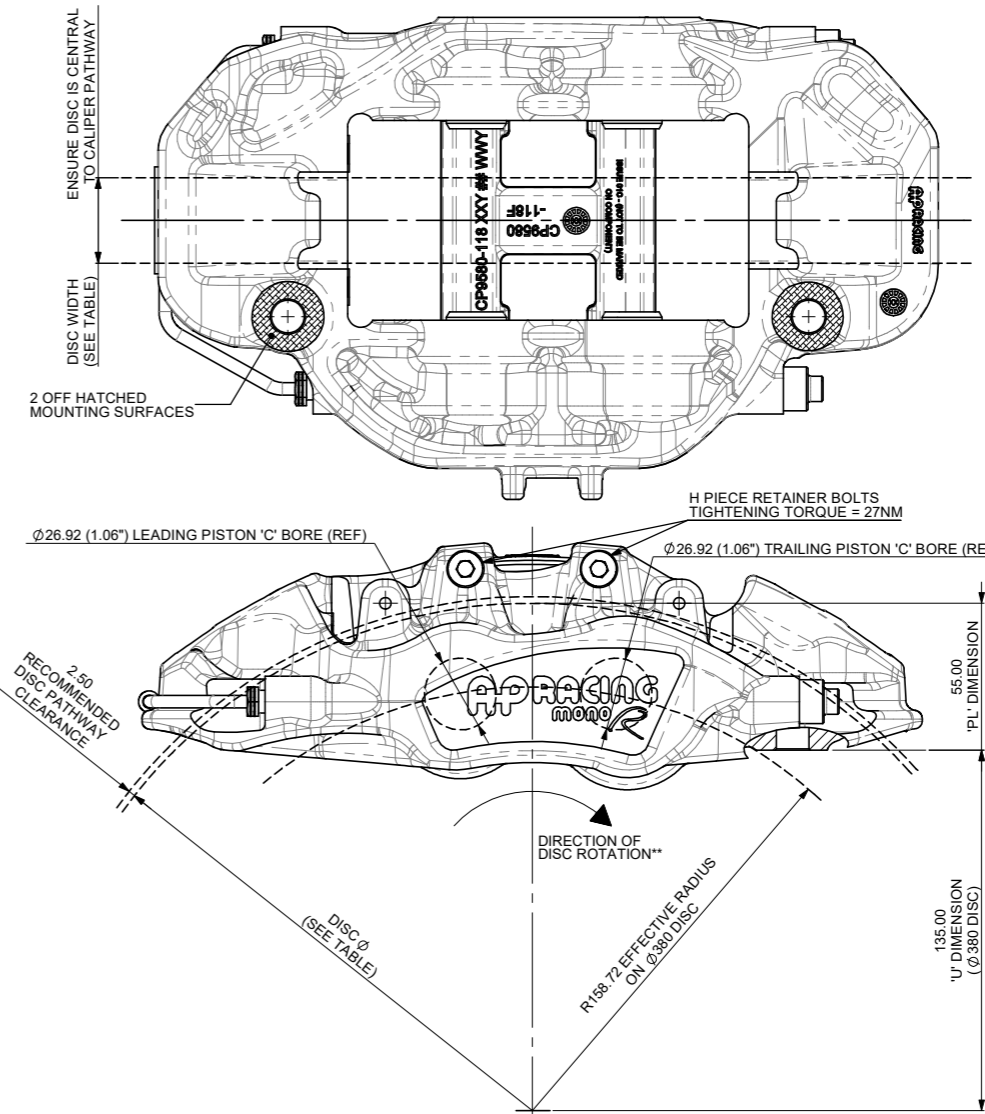
CAUTION - THE EXTERNAL PIPE IS A NON-SERVICEABLE ITEM AND MUST NOT BE TAMPERED WITH UNDER ANY CIRCUMSTANCES

FEED PORT M10 x 1.0
 11.00 MIN FULL THREAD.

TYPICAL TIGHTENING TORQUE:

- FITTING WITH ONE COPPER GASKET: - 13NM + 45°
- FITTING WITH TWO COPPER GASKETS: - 13NM + 90°

RESULTING MAX TORQUE MUST NOT EXCEED 30NM



Issue No.	Alterations		Zone	Initials
	Date & No.	Particulars		
1	17/06/2019 R4637_07	FIRST ISSUE	#	KP
2	30/10/2019 R4637_12	ANTI-COUNTERFEIT LABEL AND LASER ETCH INFORMATION ADDED COMPATIBLE DISC INFORMATION REMOVED	C18	LJS
3	08/03/2021 R4637_17	315mm WAS 280mm 59.50mm WAS 58.00mm P14.385 WAS P14.353 GVW RATING TABLE ADDED	R2 R4 P4 H3	LA

SCALE 1:1	SHEET 1 OF 1
DRAWN	Kris Penney
APPROVED	
DERIVED FROM	CP9580-1CD
TITLE	4 PISTON HPK MONOBLOC CALIPER Ø26.92 x Ø26.92 PISTON SIZES
DRG NO.	CP9582-1CD