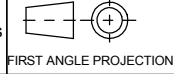


# A2 INSTALLATION DRAWING

If this document is printed in hardcopy, it is for information use only and therefore is not subject to updating controls. Always refer to viewer for latest issue.



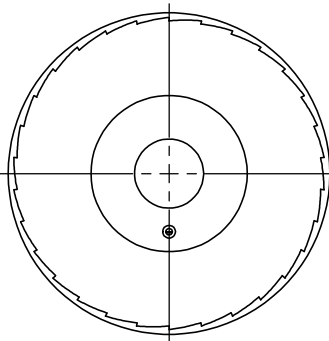
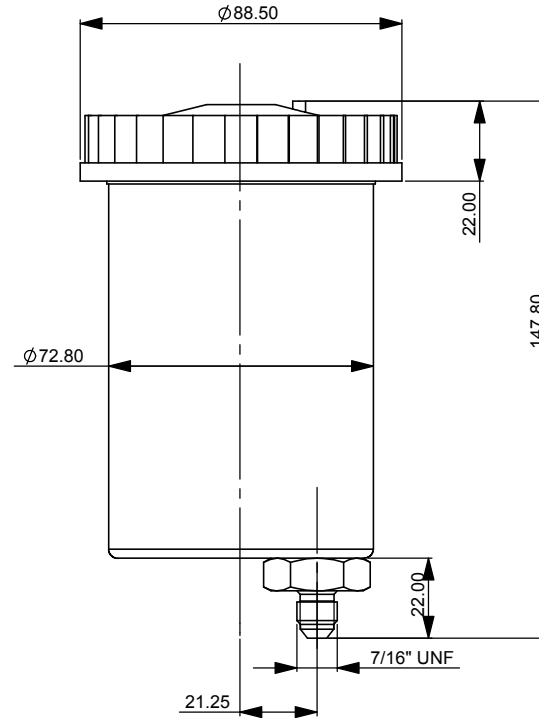
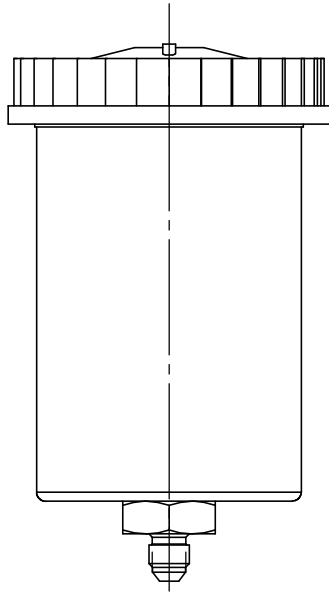
THIS DRAWING IS CONFIDENTIAL AND IS SUPPLIED ON THE EXPRESS CONDITION THAT IT SHALL NOT BE LOANED OR COPIED OR DISCLOSED TO ANY OTHER PERSON OR USED FOR ANY OTHER PURPOSE WITHOUT THE WRITTEN CONSENT OF AP RACING LTD.



AP Racing  
Wheler Road  
Coventry  
CV3 4LB

Tel: +44 024 7663 9595  
Fax: +44 024 7663 9559  
e-mail: sales@apracing.co.uk  
Web site: http://www.apracing.com

© AP Racing Ltd. 2005



PART NUMBER	DIAPHRAGM	VOLUME CC (Cu IN)	FITTING
CP2293-162	YES	340 (20.7)	7/16" UNF

Issue No.	Date & No.	Alterations		Zone	Initials
		Particulars			
1	B2314 2/3/99	FIRST ISSUE			DAE
2	17/03/08 B5139	DETAIL OF FITTING CHANGED CONE SHAPED FITTING WAS SHOWN AS SHORTER SQUARE END FITTING		8D	SAT

SCALE 1:1	SHEET 1 OF 1
DRAWN	
APPROVED	
DERIVED FROM	
TITLE RESERVOIR ASSEMBLY	
DRG NO.	CP2293-162CD