



DO NOT SCALE

ORIGINAL FRAME SIZE 574mm x 400mm



FIRST ANGLE PROJECTION

DIMENSIONS IN MILLIMETRES



AUTOMOTIVE PRODUCTS LTD. YEAR 1988

THIS DRAWING IS CONFIDENTIAL AND IS SUPPLIED ON THE EXPRESS CONDITION THAT IT SHALL NOT BE LENT OR COPIED OR DISCLOSED TO ANY OTHER PERSON OR USED FOR ANY PURPOSE WITHOUT THE WRITTEN CONSENT OF AUTOMOTIVE PRODUCTS LIMITED.

11049 AUTOMOTIVE PRODUCTS LIMITED

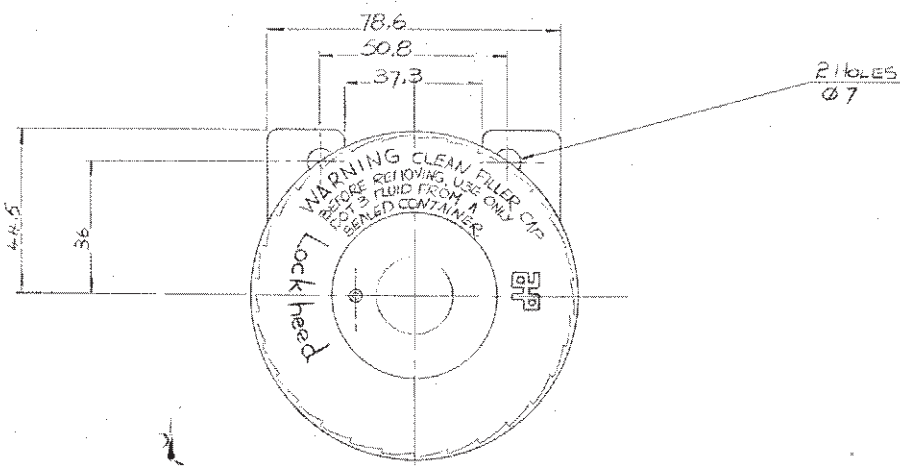
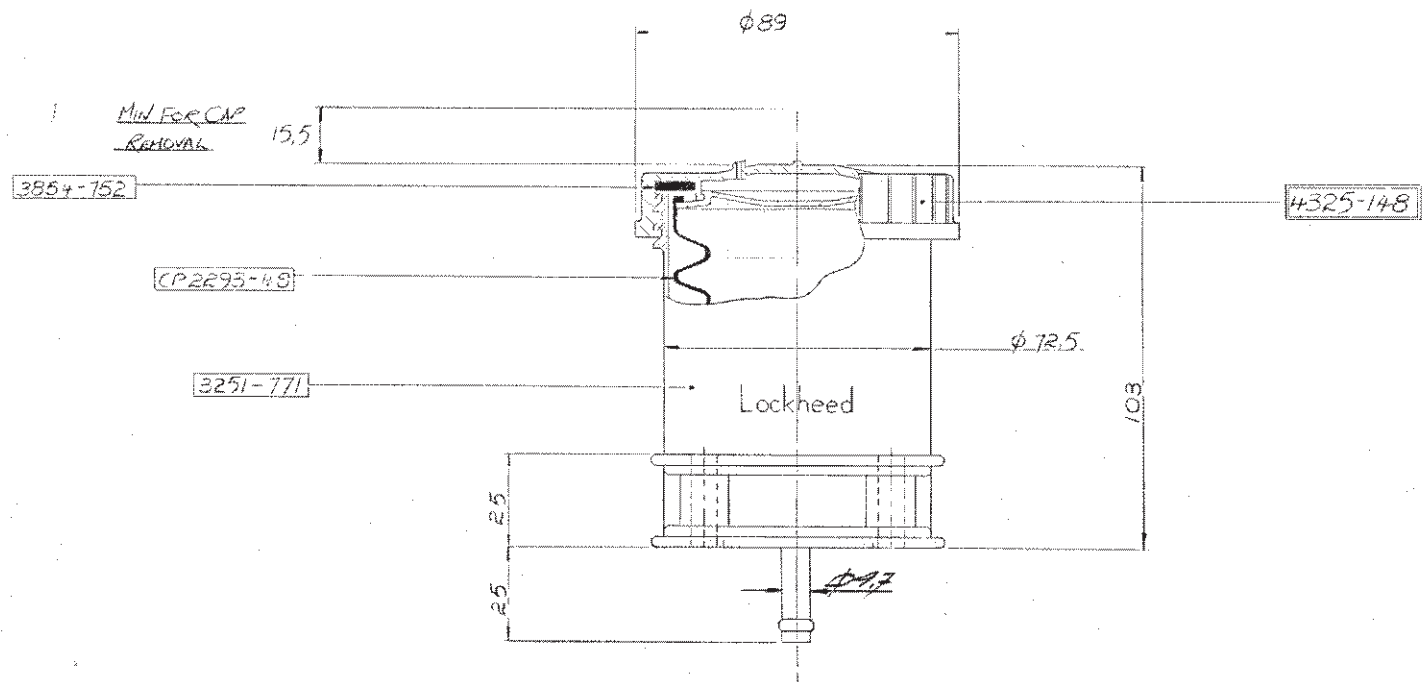
AP RACING

SYMMETRICAL PART NO	SYMMETRY	MAX MAT COND	TRUE POSITION	DATUM
GEOMETRIC TOLERANCE SYMBOLS	ANGULARITY	RUN OUT	POSITION	CONCENTRICITY
STRAIGHTNESS	PROFILE OF LINE	PROFILE OF SURFACE	PARALLELISM	SQUARENESS
FLATNESS	ROUNDNESS	CYLINDRICITY		

GEOMETRIC TOLERANCE SYMBOLS

PART No. CP 2293-69

TEST



ISSUE No	ALTERATIONS		CH.
	DATE & No	PARTICULARS	
1	10/28/88	FIRST ISSUE	

MATERIAL

MATERIAL SPECIFICATION(S)

TREATMENT

DRAWN	C. ALING	CHECKED	OSBORNE
TRACED		CHECKED	1
SUPPLEMENTARY APPROVALS WHERE REQUIRED			

FINAL APPROVAL

TITLE

PLASTIC FLUID RESERVOIR ASSEMBLY & INSTALLATION (OUTLET?)

PART NO

CP 2293-69

SYMMETRICAL PART NO

ALL DIMENSIONS ARE AFTER TREATMENT.

BURRS TO BE REMOVED.

TOLERANCES UNLESS OTHERWISE STATED

DIMENSIONAL _____ ANGULAR _____

THIS DRAWING CONFORMS TO BS 308

ALL THREADS TO BS 3643 PART 2 (MEL 110)

SURFACE FINISH UNLESS OTHERWISE STATED:-

✓ = μm (Ra) MAX BY ANY PRODUCTION METHOD

✓ = μm (Ra) MAX ON MACHINED SURFACES

✓ = μm (Ra) MAX WITHOUT MATERIAL REMOVAL

SCALE

1/1

A2