

11094<sub>5</sub>

**DO NOT SCALE**  
ORIGINAL FRAME SIZE 564mm x 511mm

**FIRST ANGLE PROJECTION**  
DIMENSIONS IN MILLIMETRES

**AUTOMOTIVE PRODUCTS LTD.**  
DATE 2.3.76  
THIS DRAWING IS CONFIDENTIAL AND IS SUPPLIED ON THE EXPRESS CONDITION THAT IT SHALL NOT BE LENT OR COPIED OR DISCLOSED TO ANY OTHER PERSON OR USED FOR ANY PURPOSE WITHOUT THE WRITTEN CONSENT OF AUTOMOTIVE PRODUCTS LIMITED

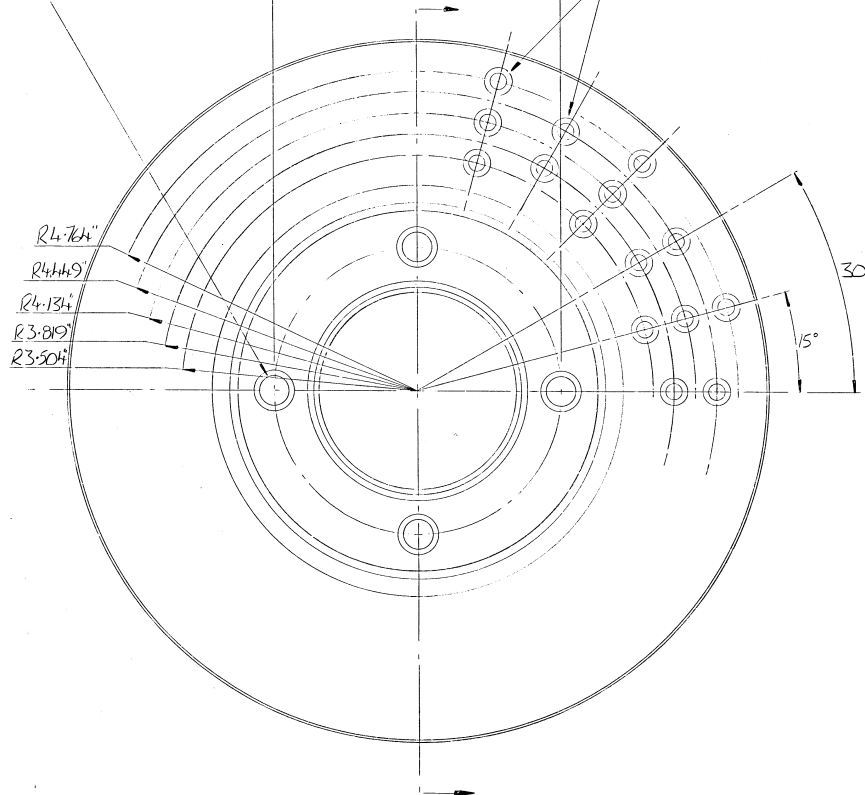
**AUTOMOTIVE PRODUCTS LIMITED**  
AP RACING

SYMMETRY	MAX. MAT. COND.	TRUE POSITION	DATUM
	MAX. MAT. COND.		
ANGULARITY	RUNOUT	POSITION	CONCENTRICITY
	RUNOUT	POSITION	CONCENTRICITY
PROFILE OF LINE	PROFILE OF SURFACE	PARALLELISM	SQUARENESS
	PROFILE OF SURFACE	PARALLELISM	SQUARENESS
STRAIGHTNESS	FLATNESS	ROUNDNESS	CYLINDRICITY
	FLATNESS	ROUNDNESS	CYLINDRICITY
GEOMETRIC TOLERANCE SYMBOLS			
PART No.	CP 2407-129		
	TEST		

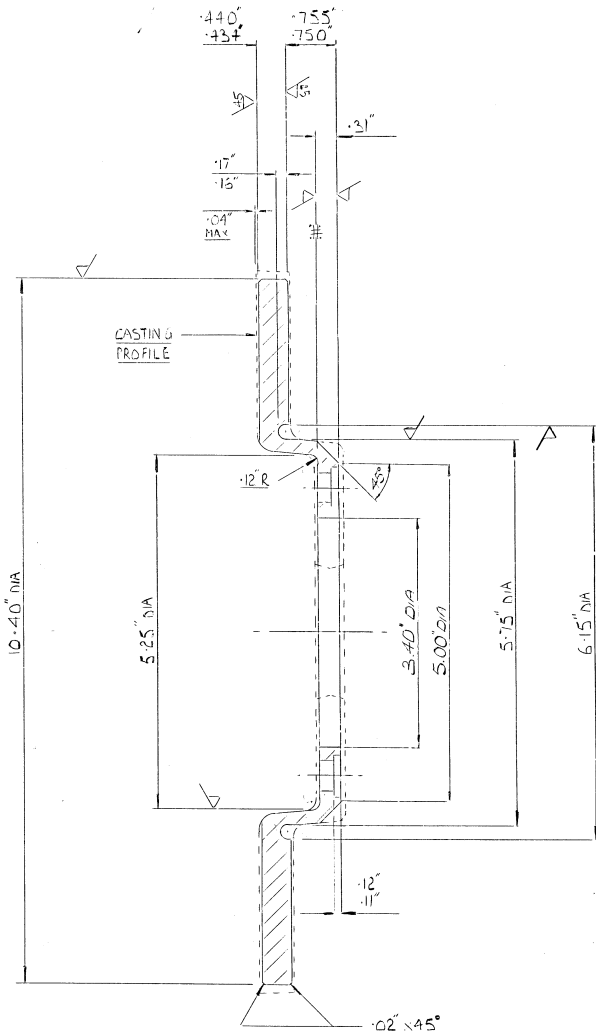
4 HOLES DRILL & REAM  $7/16"$  (.4375) DIA  
9/16 BORE .599/.601 DIA  
POS. TOLERANCE .002" DIA  
EQUI SPACED AS SHOWN

4-.25 PL DIA (I.P.)

12 SETS OF 3 HOLES &  
12 SETS OF 2 HOLES \*  
@ .0236" THRU SPACED  
AS SHOWN. CHIRP BOTH  
SINES 0.02" x 45°



NOTE  
MAKE FROM CASTING CP 2407-103C



BRACING PATH SURFACES TO BE FLAT & PARALLEL TO  
FACE MARKED THUS # TO WITHIN .002" T.I.R.  
DIA MARKED THUS \* TO BE SQUARE TO FACE MARKED  
THUS # & CONCENTRIC TO DISC AXIS TO WITHIN  
.002" T.I.R.

UNLESS OTHERWISE STATED:- ALL DIMENSIONS ARE AFTER TREATMENT BURRS TO BE REMOVED. THIS DRAWING CONFORMS TO BS 308	GENERAL TOLERANCES LINEAR ± .01" ANGULAR ± 0° 15' CO-AXIAL DIAMETERS CONCENTRIC TO _____ FULL INDICATOR MOVEMENT POSITIONAL TOLERANCE OF HOLES ON PITCH CIRCLES _____ DIAMETER ALL THREADS TO BS 3643 PART 2 (MEL 110).	SURFACE FINISH UNLESS OTHERWISE STATED:- ✓ = _____ μm MAX BY ANY PRODUCTION METHOD ✓ = 125 μm MAX ON MACHINED SURFACES ✓ = _____ μm MAX WITHOUT REMOVAL OF MATERIAL	SCALE A1
--	--	--	-------------

ISSUE No.	ALTERATIONS		CHKD
	DATE & No.	PARTICULARS	
1	23.76	DRAWN	P.S.K.G.
2	23.377	10.40" DIA. WAS 10.50" .18" x 45° WAS .12"	DA
3	1.2.78	SPICOT DIMENSION NOW 3.40" DIA NOW 2.5" AT 5.00" DIA	CR
4	2.3.76	CROSS DRILLING ALBER	JT

MATERIAL	SEE NOTE		
MATERIAL SPECIFICATION(S)			
TREATMENT	DIP IN DE-WATERING OIL		
DRAWN	NIMLTON	CHECKED	P.S.K.G.
TRACED		CHECKED	
SUPPLEMENTARY PARTS WHERE REQUIRED			
FINAL APPROVAL	TITLE DISC 10.40" x .440"		
PART No.	CP 2407-129		