

# A1 INSTALLATION DRAWING

IF THIS DOCUMENT IS PRINTED IN HARDCOPY, IT IS FOR INFORMATION USE ONLY AND THEREFORE IS NOT SUBJECT TO UPDATING CONTROLS. ALWAYS REFER TO SOLIDWORKS VIEWER FOR LATEST ISSUE



THIS DRAWING IS CONFIDENTIAL AND IS SUPPLIED ON THE EXPRESS CONDITION THAT IT SHALL NOT BE LOANED OR COPIED OR DISCLOSED TO ANY OTHER PERSON OR USED FOR ANY OTHER PURPOSE WITHOUT THE WRITTEN CONSENT OF AP RACING LTD.



AP Racing  
Wheler Road  
Coventry  
CV3 4LB

Tel: +44 (0) 24 7663 9595  
Fax: +44 (0) 24 7663 9559  
e-mail: [engineering@apracings.com](mailto:engineering@apracings.com)  
Web site: <http://www.apracings.com>

© AP Racing Ltd. 2005

### DISC PART NUMBERS

CP3047-256 RH AS DRAWN  
CP3047-257 LH OPPOSITE

THIS IS A 24 VANE DISC OF MASS 4.10Kg

THIS DISC WAS DESIGNED TO WORK WITH A D50 DEPTH PAD

### SUFFIX TO DISC PART NUMBERS:-

#### SUFFIX DETAILS

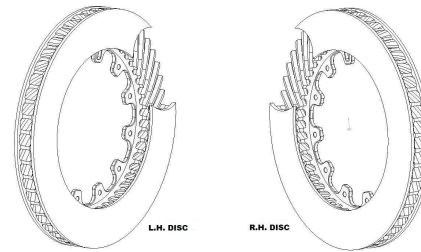
P PLAIN (NO GROOVES)  
Gnn STRAIGHT GROOVES AS SHOWN, VALUE nn PER FACE.  
eg G8 MEANS 8 GROOVVES PER FACE.

FOR DISC MOUNTING TECHNIQUES, BEDDING PROCEDURE AND DISC COOLING RECOMMENDATIONS SEE AP RACING BRAKE DISC CATALOGUE.

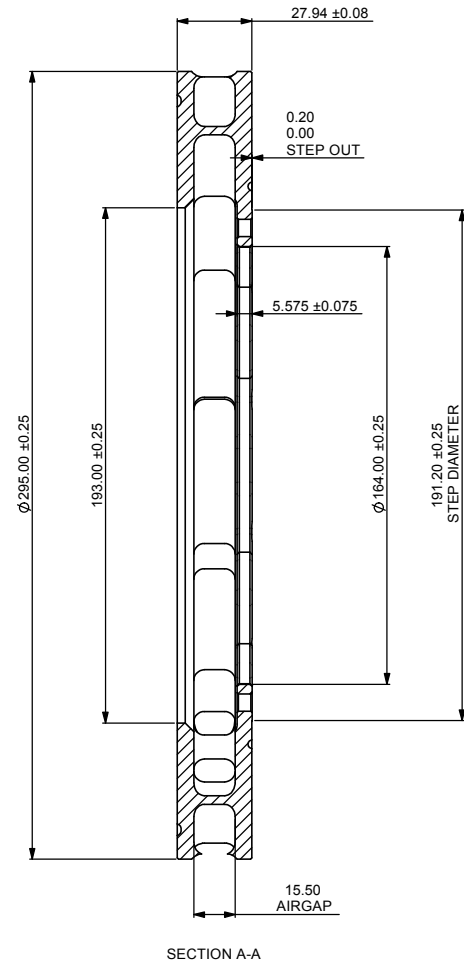
### DISC INSTALLATION

DISC ROTATION

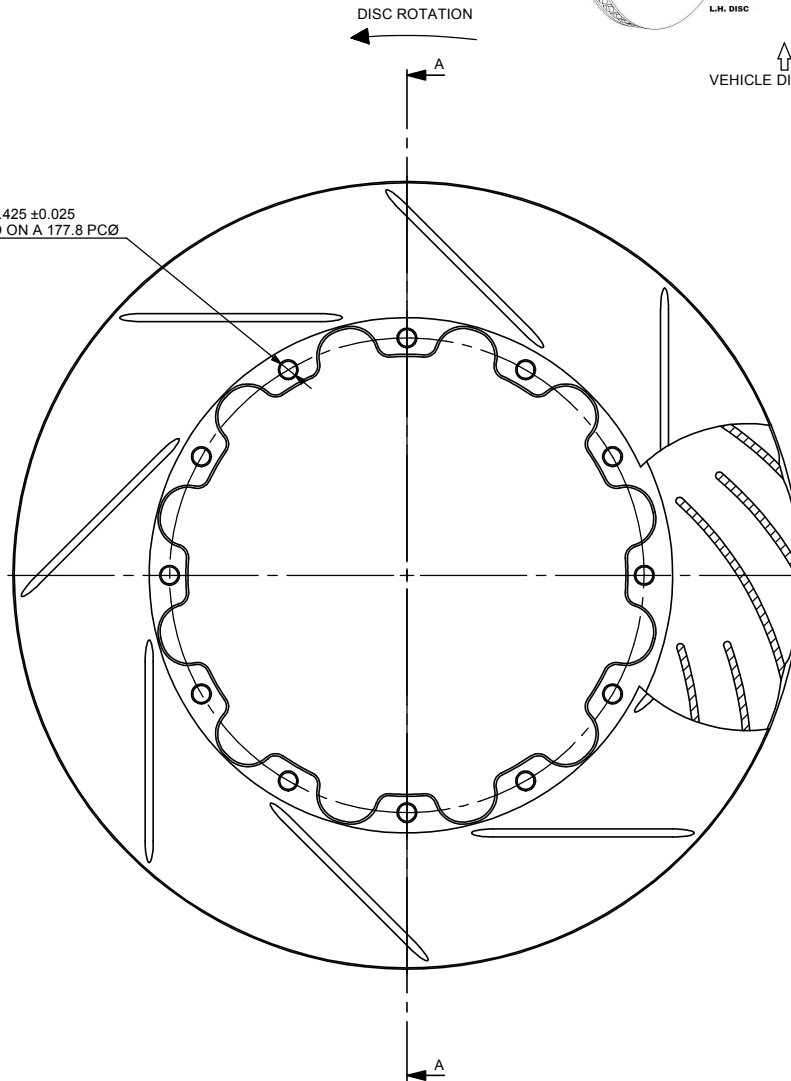
DISC ROTATION



VEHICLE DIRECTION



12 HOLES Ø6.425 ± 0.025  
EQUI-SPACED ON A 177.8 PCØ



Issue No.	Alterations		Zone	Initials
	Date & No.	Particulars		
44	09/08/07	RE-DRAWN ON SOLID WORKS		
	B4460:ID50	0.20/0.0 STEP AND Ø201.4 DIA ADDED.		

SCALE 1:1		SHEET 1 OF 1	
DRAWN	D.ARROWSMITH		
APPROVED			
DERIVED FROM			
TITLE			
Ø295 x 27.94			
VENTILATED DISC			
DRG NO.	CP3047-256 / 257 CD		