

# A1 INSTALLATION DRAWING

IF THIS DOCUMENT IS PRINTED IN HARDCOPY, IT IS FOR INFORMATION USE ONLY AND THEREFORE IS NOT SUBJECT TO UPDATING CONTROLS. ALWAYS REFER TO SOLIDWORKS VIEWER FOR LATEST ISSUE



THIS DRAWING IS CONFIDENTIAL AND IS SUPPLIED ON THE EXPRESS CONDITION THAT IT SHALL NOT BE LOANED OR COPIED OR DISCLOSED TO ANY OTHER PERSON OR USED FOR ANY OTHER PURPOSE WITHOUT THE WRITTEN CONSENT OF AP RACING LTD.



AP Racing  
Wheler Road  
Coventry  
CV3 4LB

Tel: +44 (0) 24 7663 9595  
Fax: +44 (0) 24 7663 9559  
e-mail: [engineering@apracings.com](mailto:engineering@apracings.com)  
Web site: <http://www.apracings.com>

© AP Racing Ltd. 2005

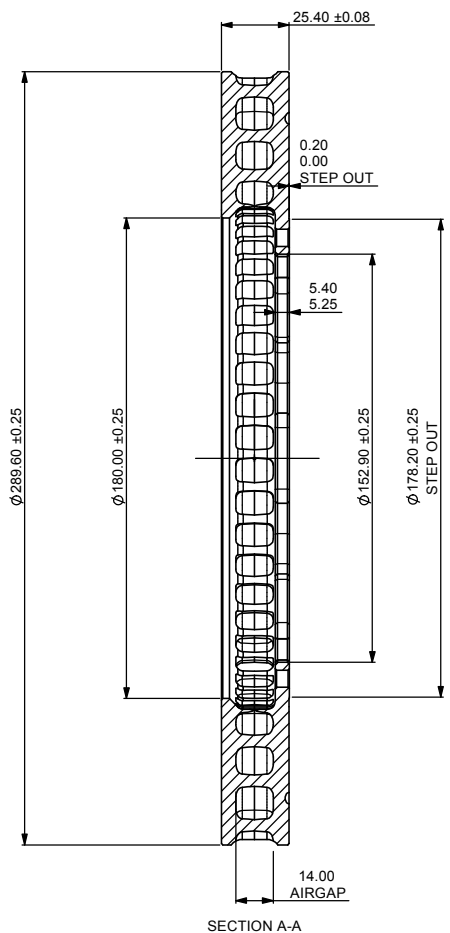
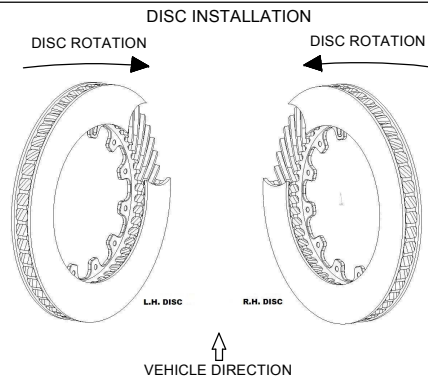
**DISC PART NUMBERS:**

CP3580-2636 RH AS SHOWN  
CP3580-2637 LH OPPOSITE

THIS IS A 48 VANES DISC OF MASS 4.53kg

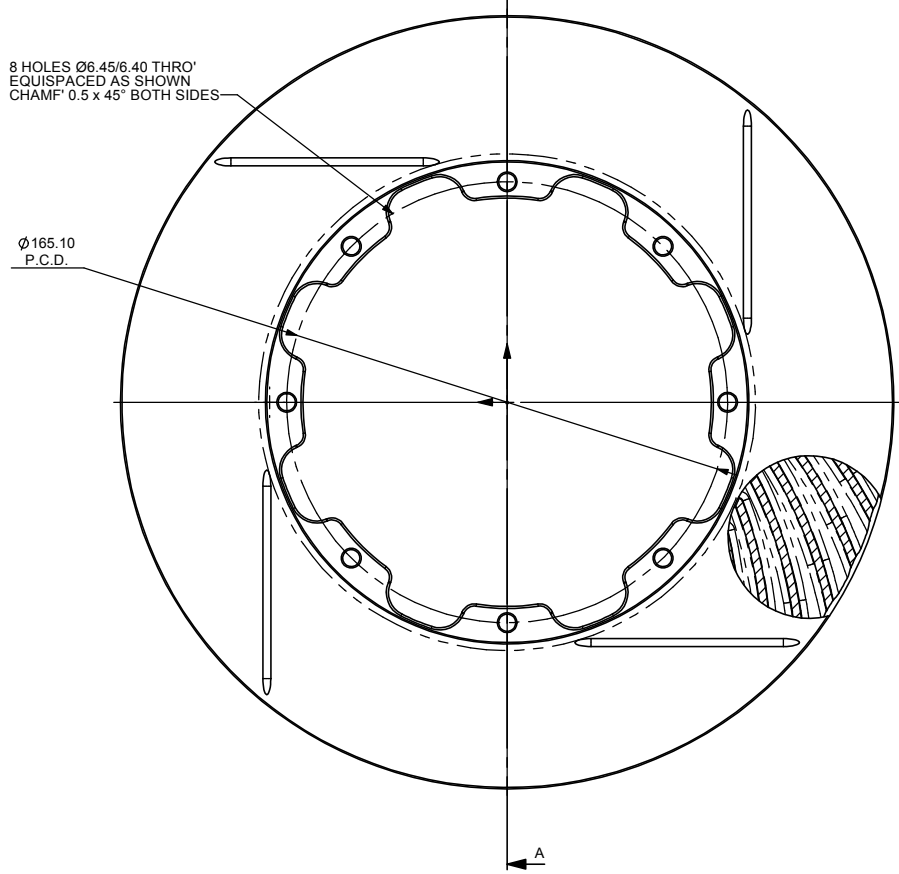
THIS DISC WAS DESIGNED TO WORK WITH A D53.6 DEPTH PAD.

FOR DISC MOUNTING TECHNIQUES, BEDDING PROCEDURE AND DISC COOLING RECOMMENDATIONS SEE AP RACING BRAKE DISC CATALOGUE.



8 HOLES Ø6.45/6.40 THRO'  
EQUISPACED AS SHOWN  
CHAMF' 0.5 x 45° BOTH SIDES

Ø165.10  
P.C.D.



Issue No.	Date & No.	Alterations	
		Particulars	Zone
1	04/05/06 B4431	FIRST ISSUE	SAT
2	31/05/06 B4460	CONVERTED TO TWIN TURNING MASS CHANGED TO KG	SAT

SCALE 1:1	SHEET 1 OF 1
DRAWN	Steve Thomas
APPROVED	
DERIVED FROM	
TITLE	
Ø289.60 x 25.40	
STRAIGHT GROOVE DISC	
DRG NO.	CP3580-2636/2637G4