

# A1 INSTALLATION DRAWING

IF THIS DOCUMENT IS PRINTED IN HARDCOPY, IT IS FOR INFORMATION USE ONLY AND THEREFORE IS NOT SUBJECT TO UPDATING CONTROLS. ALWAYS REFER TO SOLIDWORKS VIEWER FOR LATEST ISSUE



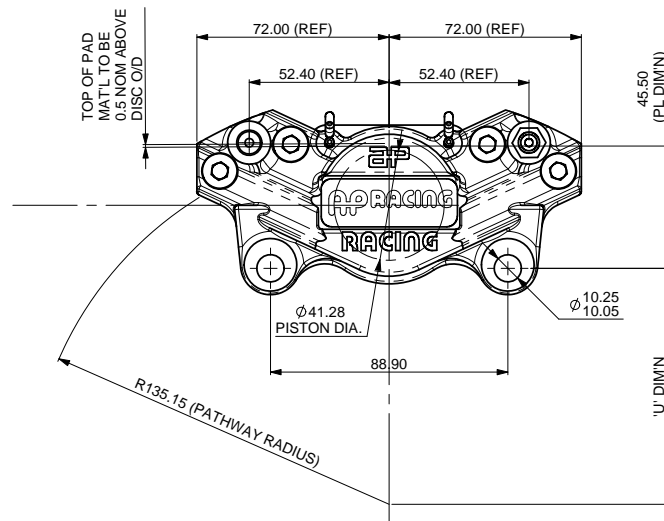
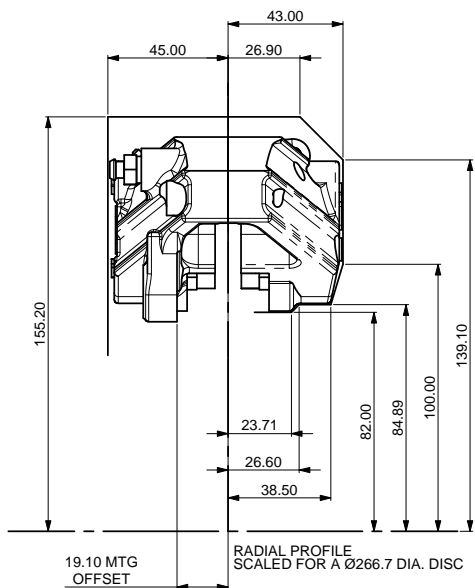
THIS DRAWING IS CONFIDENTIAL AND IS SUPPLIED ON THE EXPRESS CONDITION THAT IT SHALL NOT BE LOANED OR COPIED OR DISCLOSED TO ANY OTHER PERSON OR USED FOR ANY OTHER PURPOSE WITHOUT THE WRITTEN CONSENT OF AP RACING LTD.



AP Racing  
Wheler Road  
Coventry  
CV3 4LB

Tel: +44 (0) 24 7663 9595  
Fax: +44 (0) 24 7663 9559  
e-mail: engineering@apracings.co.uk  
Web site: http://www.apracings.com

© AP Racing Ltd. 2015



### GENERAL DESCRIPTION

THIS IS A TWIN OPPOSED BORE CALIPER DESIGNED TO OPERATE ON A SOLID IRON DISC FROM Ø239.2 (9.42") TO Ø320.0 (12.6") OF THICKNESS Ø7.11 (Ø0.28").

### APPLICATION

FORMULA FORD  
TECHNICAL INFORMATION  
TOTAL PISTON AREA: 26.76cm<sup>2</sup>  
BODY MATERIAL: ALUMINIUM ALLOY  
PISTON MATERIAL: ALUMINIUM ALLOY (STANDARD)

ASSEMBLY WEIGHT (LESS PADS): 0.800Kg

### INSTALLATION INFORMATION

DISC & CALIPER MOUNTING TOLERANCES TO BE SUCH THAT THE DISC IS CENTRAL TO THE CALIPER TO WITHIN ±0.5mm. DISC DIAMETRAL CLEARANCE SHOULD BE 2.5mm NOMINAL FROM DISC O/D TO PATHWAY.

### KEY TO DIMENSIONS

'PL' DIMN : TOP OF PAD MATERIAL TO MOUNTING BOSS FACE, WITH PAD SITTING DOWN ON LEDGE.  
'U' DIMN : WHEEL CENTRE LINE TO CALIPER MOUNTING BOSS FACE = (DISC Ø/2) - PL DIMN

AP RACING TECHNICAL SECTION WILL BE PLEASED TO ADVISE ON THE MOST SUITABLE EQUIPMENT FOR ANY PARTICULAR APPLICATION.

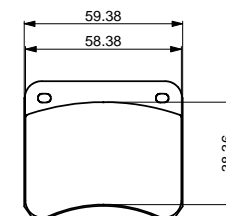
### CALIPER PART NUMBER

CP3696-6E0

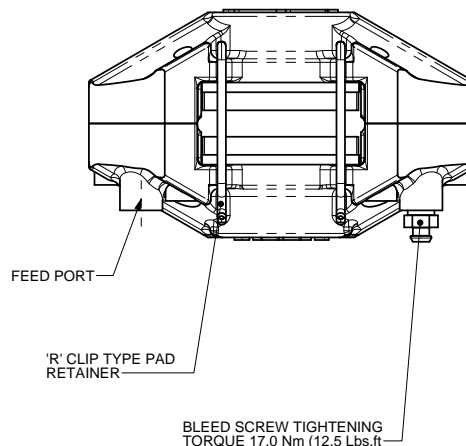
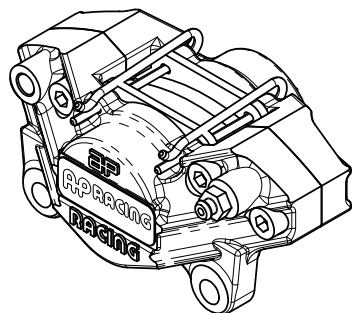
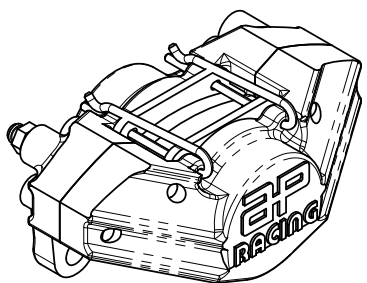
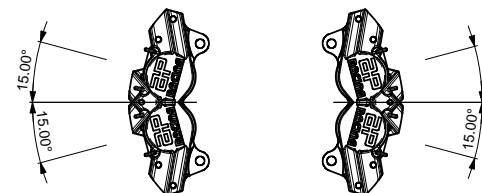
CALIPER IS HANDED BY POSITION OF BLEED & FEED ONLY.

### RECOMMENDED PAD OPTION

CP2195D38 PAD FAMILY  
PAD THICKNESS - 6.50MM  
PAD AREA - 22.39CM<sup>2</sup>  
PAD VOLUME - 14.84CM<sup>3</sup>



OPTIMUM BLEED POSITION  
FOR OPTIMISED BLEED, THE CALIPER SHOULD BE INSTALLED IN THE TRAILING POSITION BETWEEN THE ANGLE SHOWN



Issue No.	Alterations		Zone	Initials
	Date & No.	Particulars		
6	18/02/15 B6851	REDRAWN FROM MEDUSA	#	CH

SCALE 1:1	SHEET 1 OF 2
DRAWN	Connor Homeyard
APPROVED	
DERIVED FROM	#
TITLE	
2 x Ø1.625" CALIPER INSTALLATION	
DRG NO.	CP6396-1CD

# A1 INSTALLATION DRAWING

IF THIS DOCUMENT IS PRINTED IN HARDCOPY, IT IS FOR INFORMATION USE ONLY AND THEREFORE IS NOT SUBJECT TO UPDATING CONTROLS. ALWAYS REFER TO SOLIDWORKS VIEWER FOR LATEST ISSUE



THIS DRAWING IS CONFIDENTIAL AND IS SUPPLIED ON THE EXPRESS CONDITION THAT IT SHALL NOT BE LOANED OR COPIED OR DISCLOSED TO ANY OTHER PERSON OR USED FOR ANY OTHER PURPOSE WITHOUT THE WRITTEN CONSENT OF AP RACING LTD.

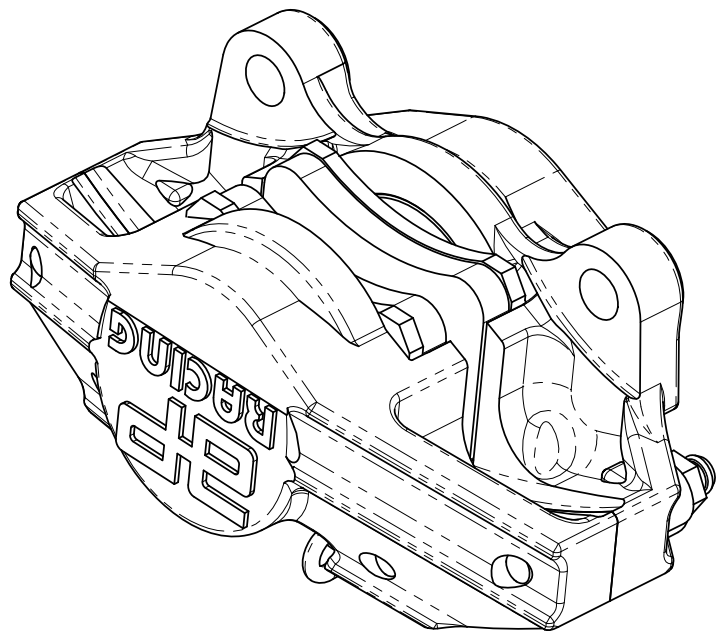


AP Racing  
Wheler Road  
Coventry  
CV3 4LB

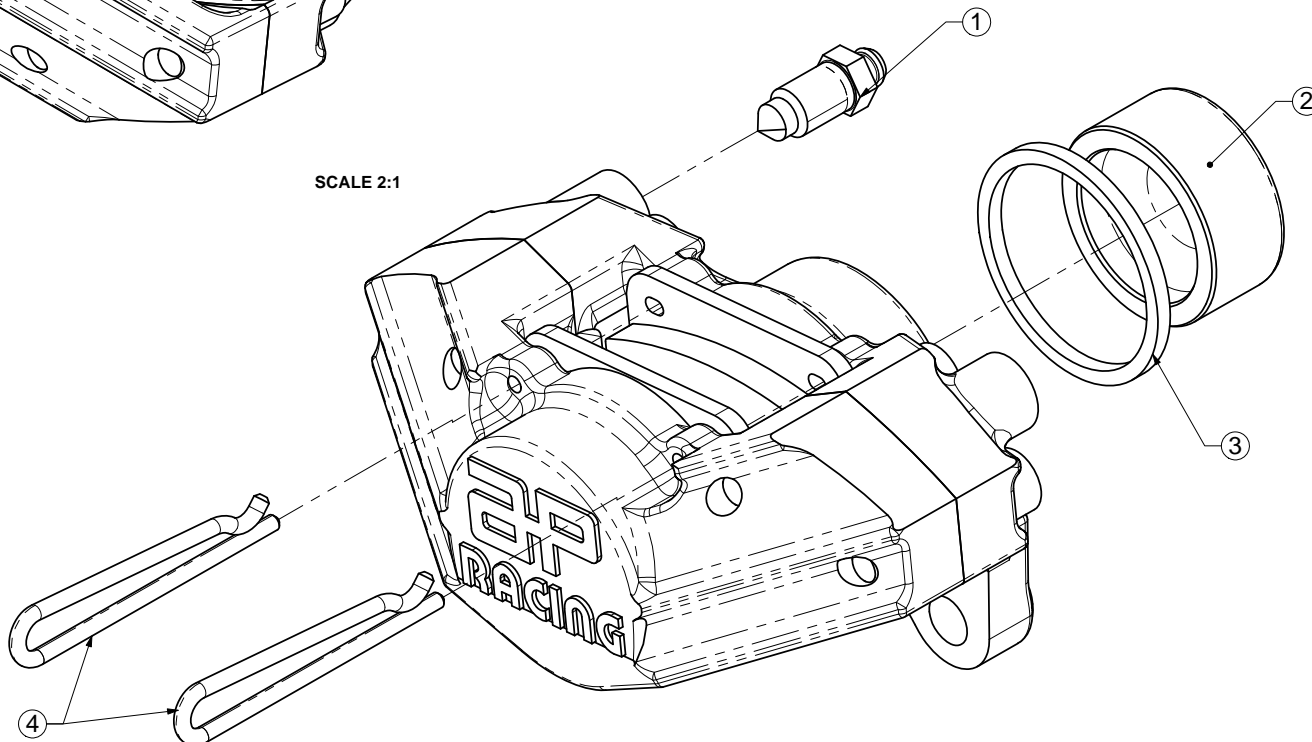
Tel: +44 (0) 24 7663 9595  
Fax: +44 (0) 24 7663 9559  
e-mail: [engineering@apracings.co.uk](mailto:engineering@apracings.co.uk)  
Web site: <http://www.apracings.com>

© AP Racing Ltd. 2015

REF	PART NUMBER	DESCRIPTION	QTY / CALIPER	FITTING NOTES
1	CP3720-182	3/8" BLEED SCREW	1	TIGHTENING TORQUE - 17Nm
2	CP3696-105	Ø41.275 ALU PISTON	2	
3	CP4518-K	PISTON SEAL KIT	2	REFER TO PUBLICATION REF: P14.290 & P14.220
4	CP3696-106	R CLIP PAD RETAINER	2	



SCALE 2:1



Issue No.	Alterations		Zone	Initials
	Date & No.	Particulars		
-	-	SEE SHEET 1 FOR ISSUE INFORMATION.	-	-

SCALE 1:1 SHEET 2 OF 2

DRAWN Connor Homeyard

APPROVED

DERIVED FROM #

TITLE  
2 x Ø1.625" CALIPER  
INSTALLATION

DRG NO. CP6396-1CD