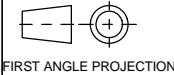


A2 INSTALLATION DRAWING

If this document is printed in hardcopy, it is for information use only and therefore is not subject to updating controls. Always refer to viewer for latest issue.



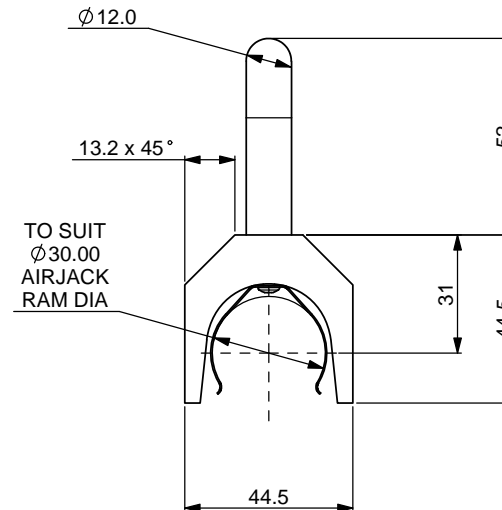
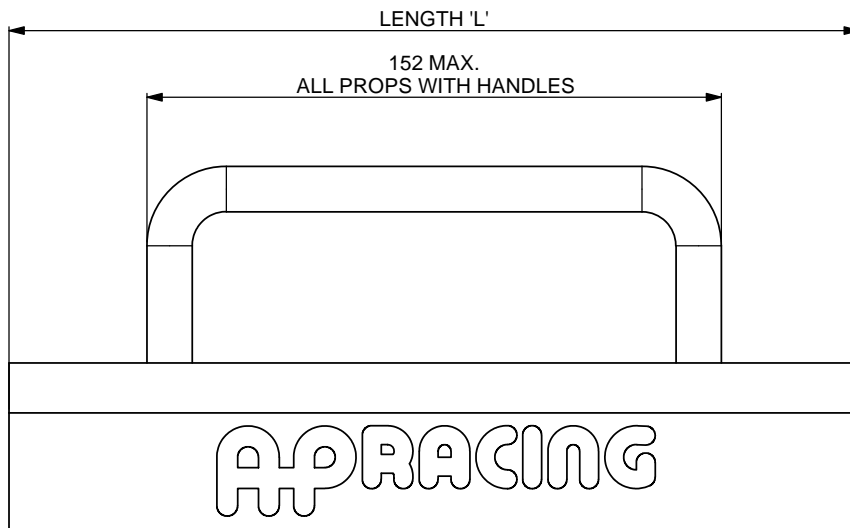
THIS DRAWING IS CONFIDENTIAL AND IS SUPPLIED ON THE EXPRESS CONDITION THAT IT SHALL NOT BE LOANED OR COPIED OR DISCLOSED TO ANY OTHER PERSON OR USED FOR ANY OTHER PURPOSE WITHOUT THE WRITTEN CONSENT OF AP RACING LTD.



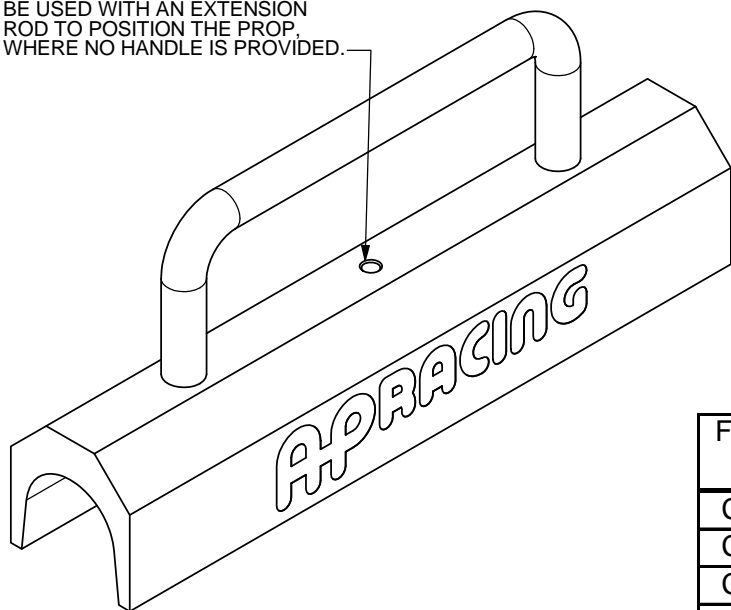
© AP Racing Ltd. 2004

AP Racing
Wheler Road
Coventry
CV3 4LB

Tel: +44 024 7663 9595 e-mail: sales@ap racing.co.uk
Fax: +44 024 7663 9559 Web site: HTTP://www.ap racing.com



M6 x 1.0 x 7 DEEP THREAD CAN BE USED WITH AN EXTENSION ROD TO POSITION THE PROP, WHERE NO HANDLE IS PROVIDED.



FOR USE WITH AIRJACK No.	STROKE	PROP ASSEMBLY No.	LENGTH 'L'	HANDLE PROVIDED
CP3985-310EV	310	CP3985-31	305	YES
CP3985-270EV	270	CP3985-28	265	YES
CP3985-230EV	230	CP3985-23	225	YES
CP3985-190EV	190	CP3985-19	185	YES
CP3985-150EV	150	CP3985-15	145	NO

Issue No.	Date & No.	Alterations		Zone	Initials
		Particulars			
1	24/07/05 B3826	FIRST ISSUE		#	DRA
2	04/08/2014 B7156	270 PROP ADDED.		#	CDA

SCALE 1:1	SHEET 1 OF 1
DRAWN	D.ARROWSMITH
APPROVED	
DERIVED FROM	
TITLE AIRJACK PROP CUSTOMER DRAWING	
DRG NO.	CP3985-9CD