

A1 INSTALLATION DRAWING

IF THIS DOCUMENT IS PRINTED IN HARDCOPY, IT IS FOR INFORMATION USE ONLY AND THEREFORE IS NOT SUBJECT TO UPDATING CONTROLS. ALWAYS REFER TO SOLIDWORKS VIEWER FOR LATEST ISSUE



THIS DRAWING IS CONFIDENTIAL AND IS SUPPLIED ON THE EXPRESS CONDITION THAT IT SHALL NOT BE LOANED OR COPIED OR DISCLOSED TO ANY OTHER PERSON OR USED FOR ANY OTHER PURPOSE WITHOUT THE WRITTEN CONSENT OF AP RACING LTD.



AP Racing
Wheler Road
Coventry
CV3 4LB

Tel: +44 (0) 24 7663 9595
Fax: +44 (0) 24 7663 9559
e-mail: engineering@apracings.com
Web site: <http://www.apracings.com>

© AP Racing Ltd. 2005

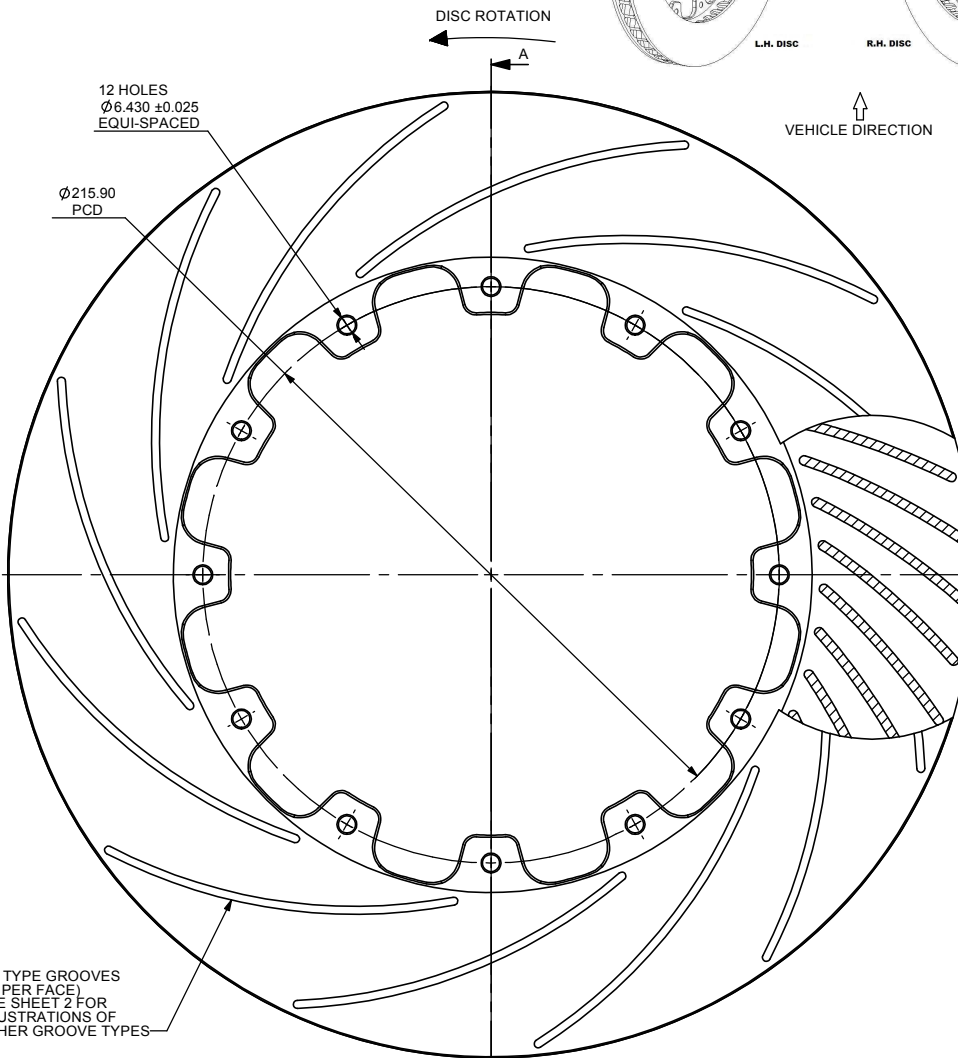
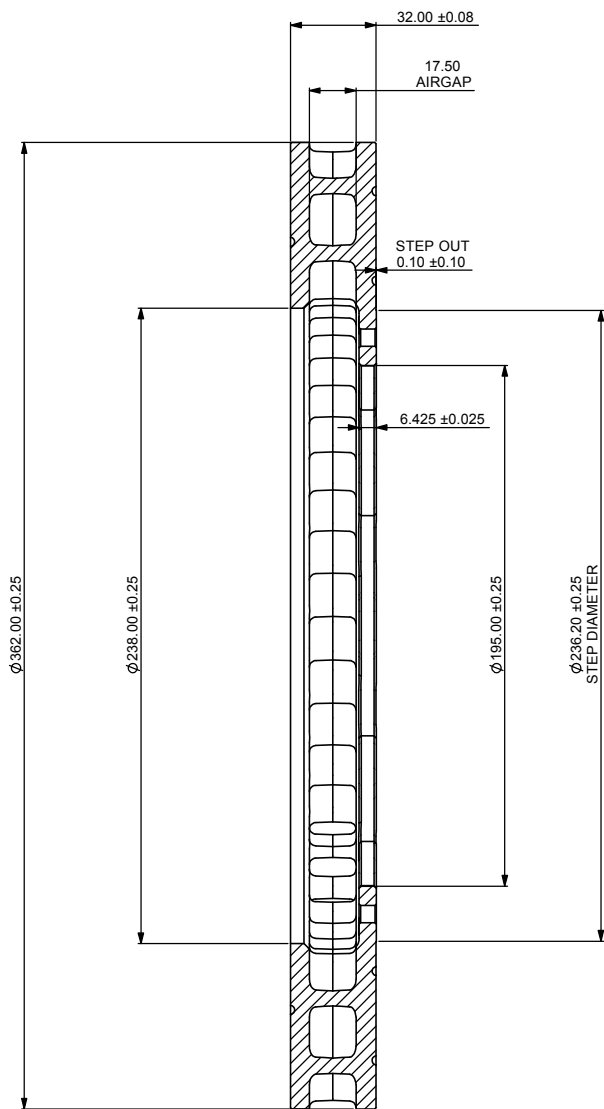
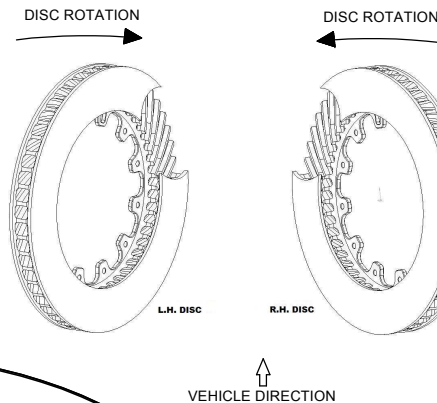
DISC PART NUMBERS
CP4542-142 - RH AS SHOWN
CP4542-143 - LH OPPOSITE

THIS 48 VANE DISC HAS A MASS OF 7.79 grams.

THIS DISC WAS DESIGNED TO WORK WITH A D60 PADS.

FOR DISC MOUNTING TECHNIQUES, BEDDING PROCEDURE AND DISC COOLING RECOMMENDATIONS SEE AP RACING BRAKE DISC CATALOGUE.

DISC INSTALLATION



Issue No.	Alterations		Zone	Initials
	Date & No.	Particulars		
1	02/10/07 B4950	FIRST ISSUE		DRA

SCALE 1:1	SHEET 1 OF 2
DRAWN	D.ARROWSMITH
APPROVED	
DERIVED FROM	CP4542-102-3
TITLE	VENTILATED DISC Ø362.0 x 32.0
DRG NO.	CP4542-142 / 143 CD

A1 INSTALLATION DRAWING

IF THIS DOCUMENT IS PRINTED IN HARDCOPY, IT IS FOR INFORMATION USE ONLY AND THEREFORE IS NOT SUBJECT TO UPDATING CONTROLS. ALWAYS REFER TO SOLIDWORKS VIEWER FOR LATEST ISSUE



THIS DRAWING IS CONFIDENTIAL AND IS SUPPLIED ON THE EXPRESS CONDITION THAT IT SHALL NOT BE LOANED OR COPIED OR DISCLOSED TO ANY OTHER PERSON OR USED FOR ANY OTHER PURPOSE WITHOUT THE WRITTEN CONSENT OF AP RACING LTD.

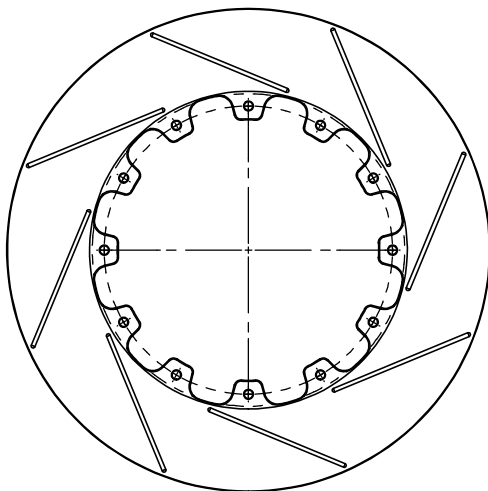


AP Racing
Wheler Road
Coventry
CV3 4LB

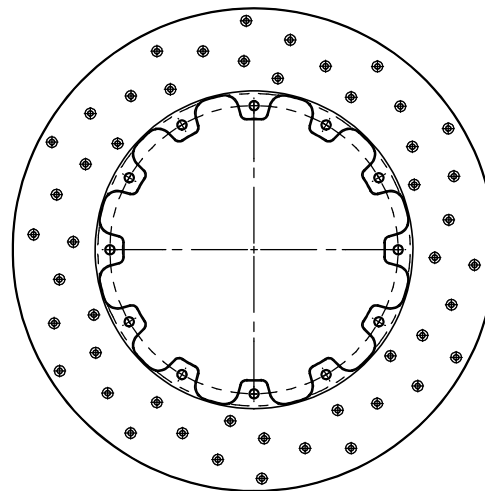
Tel: +44 (0) 24 7663 9595
Fax: +44 (0) 24 7663 9559
e-mail: engineering@apracings.co.uk
Web site: <http://www.apracings.com>

© AP Racing Ltd. 2005

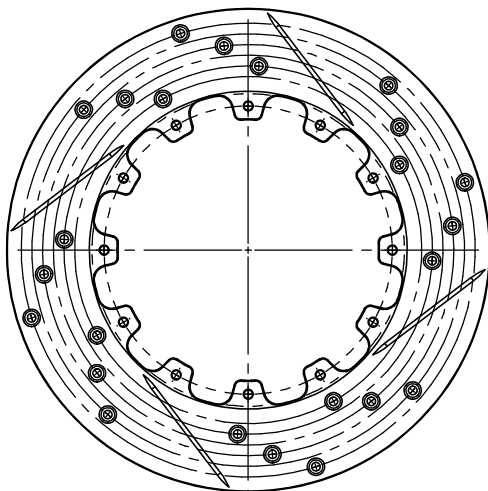
G8 GROOVE TYPE



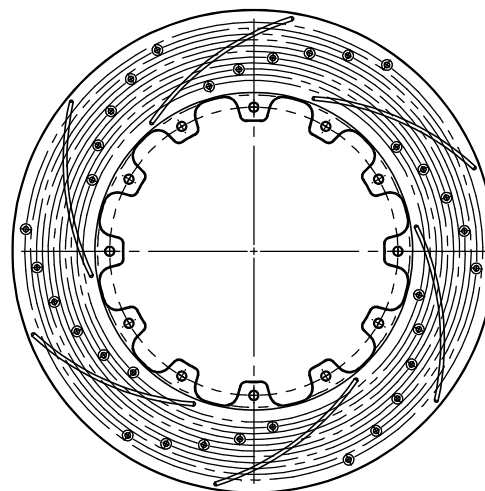
SD GROOVE TYPE



GD GROOVE TYPE



HSV GROOVE TYPE



Issue No.	Alterations		Zone	Initials
	Date & No.	Particulars		

SCALE 1:1		SHEET 1 OF 2	
DRAWN	D.ARROWSMITH		
APPROVED			
DERIVED FROM	CP4542-102-3		
TITLE	VENTILATED DISC		
	Ø362.0 x 32.0		
DRG NO.	CP4542-142 / 143 CD		