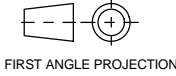


# CP4590-003T.T2

ISSUE: 1

If this document is printed in hardcopy, it is for information use only and therefore is not subject to updating controls. Always refer to viewer for latest issue.



FIRST ANGLE PROJECTION

THIS DRAWING IS CONFIDENTIAL AND IS SUPPLIED ON THE EXPRESS CONDITION THAT IT SHALL NOT BE LOANED OR COPIED OR DISCLOSED TO ANY OTHER PERSON OR USED FOR ANY OTHER PURPOSE WITHOUT THE WRITTEN CONSENT OF AP RACING LTD.



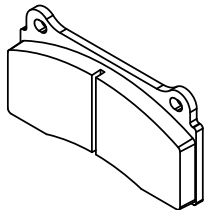
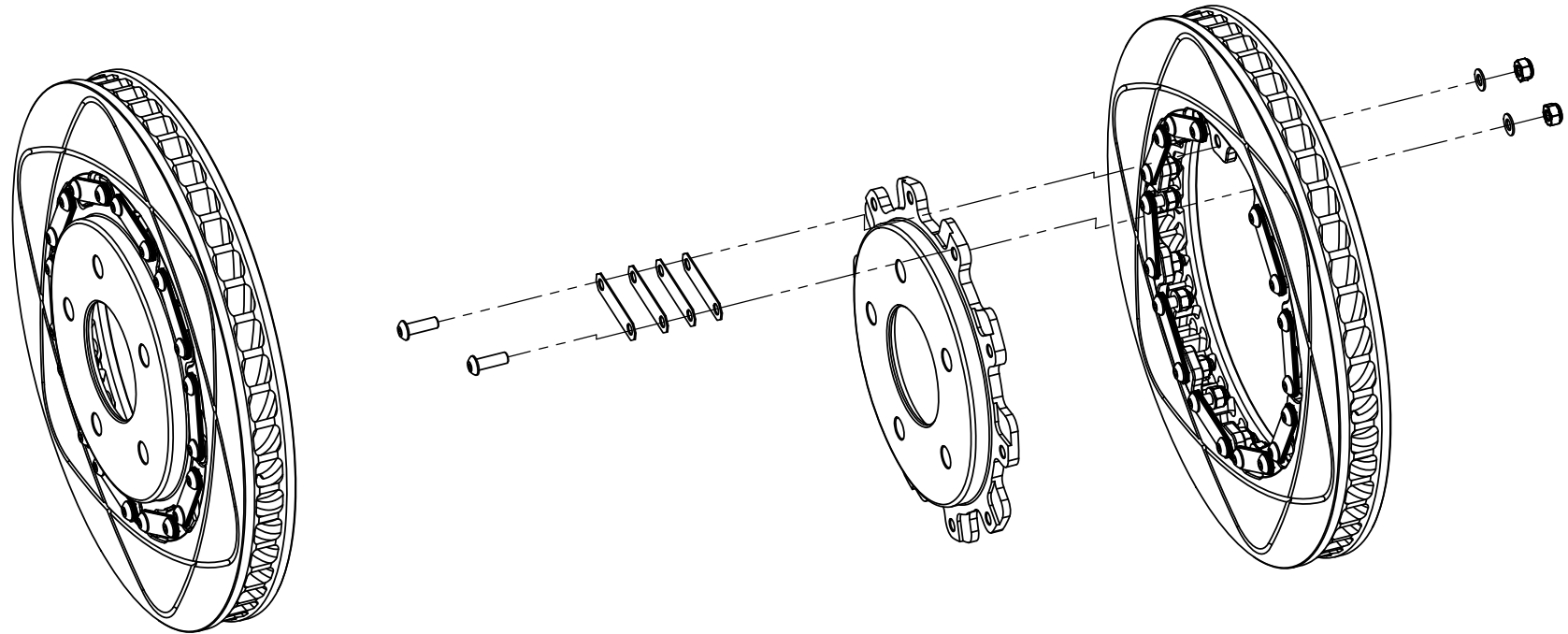
AP Racing  
Wheler Road  
Coventry  
CV3 4LB

Tel: +44 024 7663 9595  
Fax: +44 024 7663 9559

e-mail: sales@apracings.co.uk

Web site: HTTP://www.apracings.com

© AP Racing Ltd. 2005



X 4

BRAKE DISK WEAR	
NEW	MIN WORN
32.00mm	30.5mm

**COMMENTS**

For Disc & Strap Service Kits Refer To CP3781-2178-9T2 & CP2494-76.

P14.079 Is Provided In Disc & Strap Service Kits For Assembly Instructions.

Kit Contains 1 x Pad Set (This consists of 4 Pads)

**PLEASE RETAIN THIS SHEET FOR FUTURE REFERENCE**

THIS IS A PICTORIAL VIEW FOR REFERENCE ONLY. SOME PARTS MAY VARY FROM THOSE SUPPLIED. AP RACING RESERVE THE RIGHT TO CHANGE COMPONENTS WITHOUT PRIOR NOTICE.

Drawn By: Carl Johns