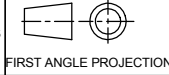


A2 INSTALLATION DRAWING

If this document is printed in hardcopy, it is for information use only and therefore is not subject to updating controls. Always refer to viewer for latest issue.



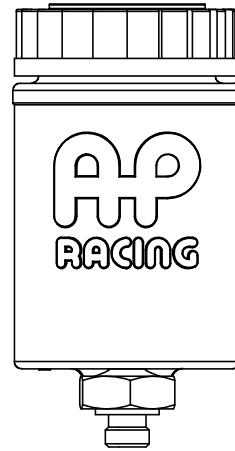
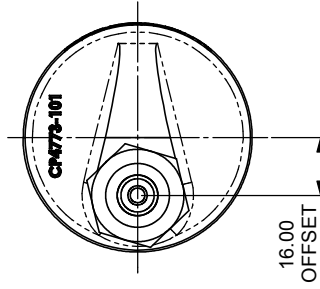
THIS DRAWING IS CONFIDENTIAL AND IS SUPPLIED ON THE EXPRESS CONDITION THAT IT SHALL NOT BE LOANED OR COPIED OR DISCLOSED TO ANY OTHER PERSON OR USED FOR ANY OTHER PURPOSE WITHOUT THE WRITTEN CONSENT OF AP RACING LTD.



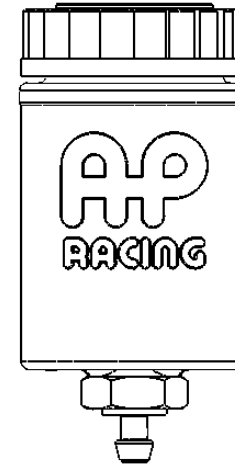
© AP Racing Ltd. 2004

AP Racing
Wheler Road
Coventry
CV3 4LB

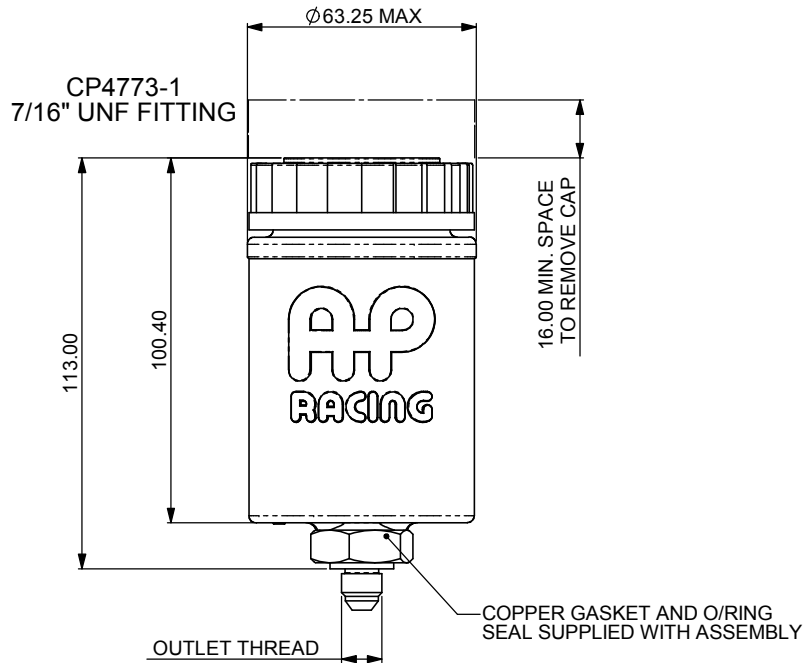
Tel: +44 024 7663 9595 e-mail: sales@apracings.co.uk
Fax: +44 024 7663 9559 Web site: HTTP://www.apracings.com



CP4773-2
M12 x 1.0 FITTING



CP4773-3
PUSH ON FITTING



ALL ASSEMBLIES FITTED WITH VOLUME REDUCING BELLOWS.

RESERVOIR ASSEMBLIES:

ASSEMBLY NUMBER	VOLUME	OUTLET THREAD
CP4773-1	195 cm ³	7/16" UNF
CP4773-2	195 cm ³	M12 x 1.0
CP4773-3	196 cm ³	PUSH ON

Issue No.	Date & No.	Alterations		Zone	Initials
		Particulars			
1	16/11/04 B4102	FIRST ISSUE			SAT
2	12/04/05 B4235	Ø63.25 MAX WAS Ø62.00, 113.00 ADDED		E3 C2	JH
3	05/05/06 B4550	-3 ASSY ADDED TO CHART		#	DRA
4	14/03/08 B5139	ALL VARIANTS OF OUTLET FITTING NOW SHOWN			SAT

SCALE 1:1	SHEET 1 OF 1
DRAWN	Steve Thomas
APPROVED	
DERIVED FROM	
TITLE PLASTIC RESERVOIR ASSEMBLY CUSTOMER DRAWING	
DRG NO.	cp4773-1cd