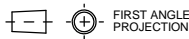


# A0 INSTALLATION DRAWING

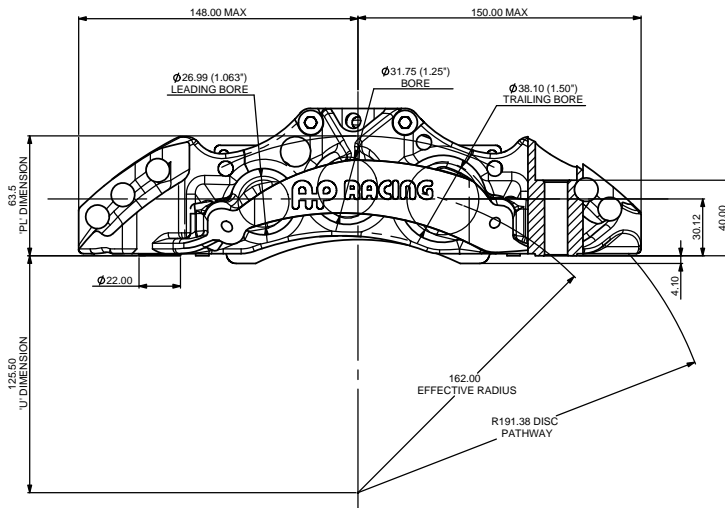
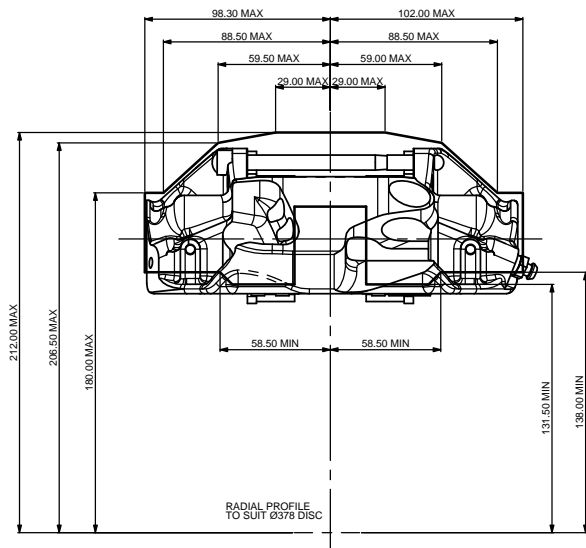
IF THIS DOCUMENT IS PRINTED IN HARD COPY, IT IS FOR INFORMATION USE ONLY AND THEREFORE IS NOT SUBJECT TO UPDATING CONTROLS. ALWAYS REFER TO SOLIDWORKS VIEWER FOR LATEST ISSUE



THIS DRAWING IS CONFIDENTIAL AND IS SUPPLIED ON THE EXPRESS CONDITION THAT IT SHALL NOT BE LOANED OR COPIED OR DISCLOSED TO ANY OTHER PERSON OR USED FOR ANY OTHER PURPOSE WITHOUT THE WRITTEN CONSENT OF AP RACING LTD.



**AP Racing**  
 Wheeler Road  
 Coventry  
 CV3 4LB  
 Tel: +44 (0)24 7663 9595  
 Fax: +44 (0)24 7663 9559  
 e-mail: sales@apracings.co.uk  
 © AP Racing Ltd. 2005 Web site: HTTP://www.apracings.com



**GENERAL DESCRIPTION:**

THIS IS A 6 PISTON DIFFERENTIAL BORE CALIPER DESIGNED TO OPERATE ON A VENTILATED IRON DISC OF UP TO Ø378.0MM DIA BY 35.6MM THICK. STAINLESS STEEL PAD ABUTMENT WEAR PLATES ARE FITTED. SEALS ARE HIGH TEMPERATURE 'SEAL-IN-BORE' TYPE.

**TYPICAL APPLICATION:**

GT

**TECHNICAL INFORMATION:**

TOTAL PISTON AREA: 50.1cm<sup>2</sup>  
 PISTON MATERIAL: STAINLESS STEEL (STANDARD)  
 BODY MATERIAL: FORGED ALUMINUM ALLOY  
 ALL HYDRAULIC THREADS M10x1.0  
 ASSEMBLY WEIGHT : 2.7 Kg ( WITHOUT PADS )

**INSTALLATION INFORMATION:**

DISC & CALIPER MOUNTING TOLERANCES TO BE SUCH THAT THE DISC IS CENTRAL TO THE CALIPER TO WITHIN ±0.5mm

**MINIMUM WORN DISC & PAD STACK = 45MM**

**KEY TO DIMENSIONS:**

DIMENSION 'PL': TOP OF PAD MATERIAL TO MOUNTING BOSS FACE WITH PAD SITTING DOWN ON LEDGE.  
 DIMENSION 'U': WHEEL CENTRE LINE TO CALIPER MOUNTING BOSS FACE = (DISC Ø/2) - DIMENSION 'PL'.  
 DIMENSION 'C': OFFSET - DISC CENTRE LINE TO MOUNTING HOLES.  
 EFFECTIVE RADIUS: DISTANCE FROM WHEEL CENTRE LINE TO NOMINAL PISTON CENTRE LINE.

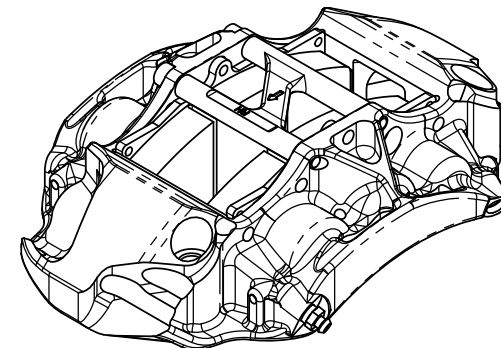
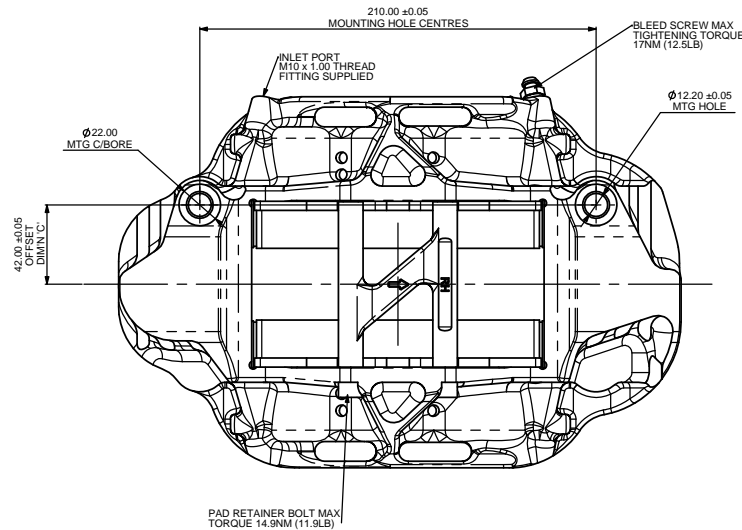
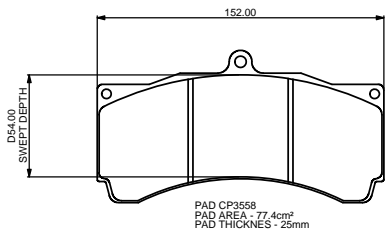
AP RACING TECHNICAL SECTION WILL BE PLEASED TO ADVISE ON THE MOST SUITABLE EQUIPMENT FOR ANY PARTICULAR APPLICATION.

**CALIPER PART NUMBERS**

CP5095-2STL - RIGHT HAND TRAILING (BEHIND AXLE) AS DRAWN  
 CP5095-3STL - LEFT HAND TRAILING (BEHIND AXLE)  
 CP5095-4STL - RIGHT HAND LEADING (IN FRONT OF AXLE)  
 CP5095-5STL - LEFT HAND LEADING (IN FRONT OF AXLE)

**REPLACEMENT SEAL KIT**

SEAL KIT (HIGH TEMPERATURE) CP4518-CEJ

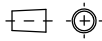


Alterations		Rev	Issue
Date & No.	Particulars	2	3
17/07/08 B5080	FIRST ISSUE		SAT
04/09/08 B5080	SHEET 2 SPARES INFO ADDED		SAT
03/11/09 B5080	MIN STACK INFO ADDED	77	SAT
18/04/11 B5080	PAD RETAINER PART NUMBER CP5095-111 WAS FORGED PAD RETAINER CP5095-105		SAT
11/07/11 B6282	PAD RETAINER DESIGN UPDATED		SAT
10/09/13 B6884	PAD RETAINER REVERTED BACK TO STANDARD VERSION FROM SUFFIXED ASSEMBLIES REMOVED	11E	SAT
18/09/14 B7175	PAD RETAINER PART NUMBER CP5095-112/3 WAS CP5095-111		CH

SCALE 1:1	SHEET 1 OF 2
DRAWN Steve Thomas	
APPROVED	
DERIVED FROM	
TITLE 6 POT FORGED MONOBLOCK CALIPER INSTALLATION DRAWING	
DRG NO. CP5095-1CD	

# A0 INSTALLATION DRAWING

IF THIS DOCUMENT IS PRINTED IN HARD COPY, IT IS FOR INFORMATION USE ONLY AND THEREFORE IS NOT SUBJECT TO UPDATING CONTROLS. ALWAYS REFER TO SOLIDWORKS VIEWER FOR LATEST ISSUE



FIRST ANGLE PROJECTION

THIS DRAWING IS CONFIDENTIAL AND IS SUPPLIED ON THE EXPRESS CONDITION THAT IT SHALL NOT BE LOANED OR COPIED OR DISCLOSED TO ANY OTHER PERSON OR USED FOR ANY OTHER PURPOSE WITHOUT THE WRITTEN CONSENT OF AP RACING LTD.

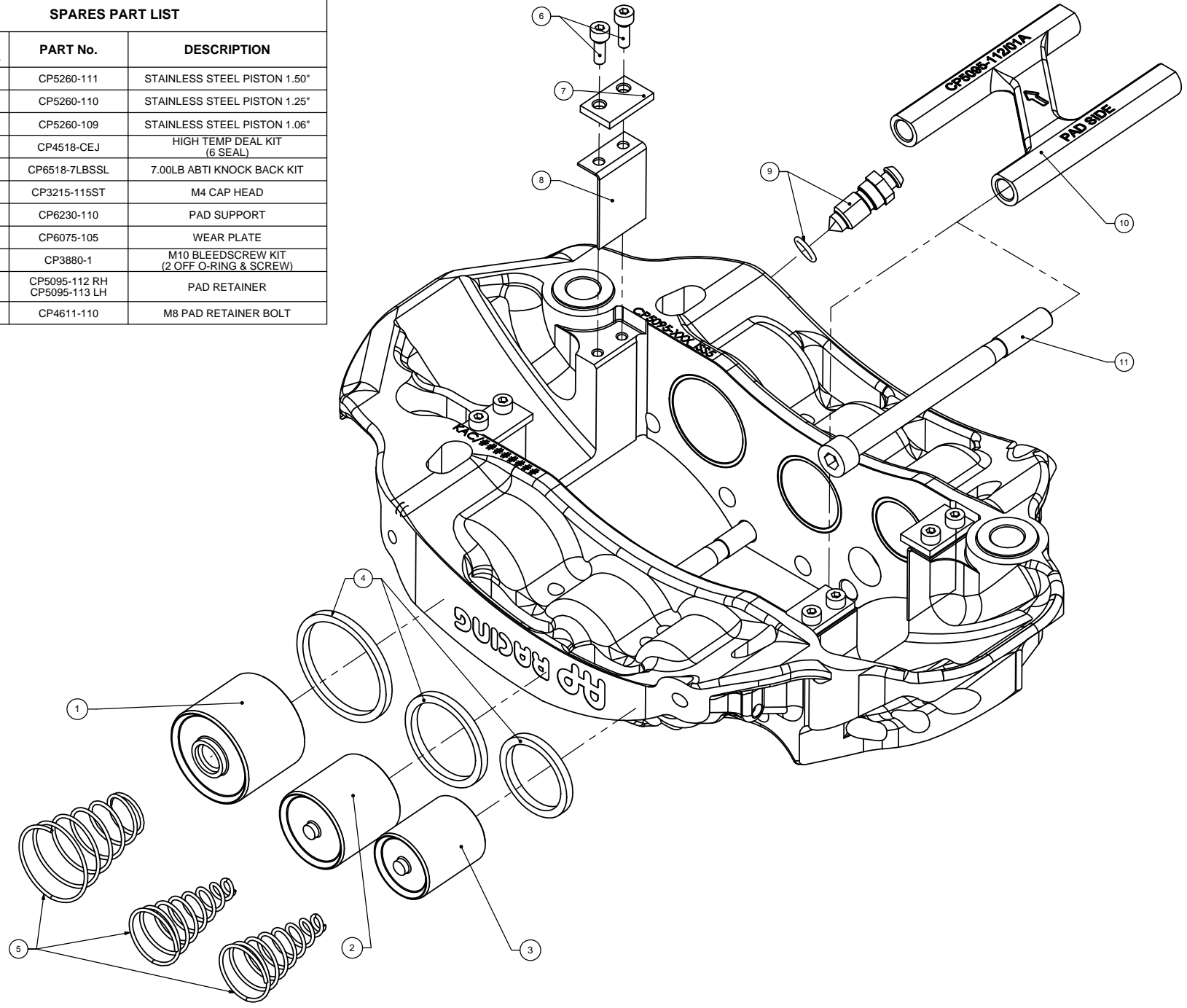


**AP Racing**  
 Wheeler Road  
 Coventry  
 CV3 4LB  
 Tel: +44 (0)24 7663 9595  
 Fax: +44 (0)24 7663 9599  
 e-mail: sales@apracings.co.uk  
 © AP Racing Ltd. 2005  
 Web site: HTTP://www.apracings.com

Alterations		Date & No.	Particulars	Z-Code	Index

## SPARES PART LIST

REF	QTY / CALIPER	PART No.	DESCRIPTION
1	1	CP5260-111	STAINLESS STEEL PISTON 1.50"
2	1	CP5260-110	STAINLESS STEEL PISTON 1.25"
3	1	CP5260-109	STAINLESS STEEL PISTON 1.06"
4	1	CP4518-CEJ	HIGH TEMP DEAL KIT (6 SEAL)
5	1	CP6518-7LBSSL	7.00LB ABTI KNOCK BACK KIT
6	8	CP3215-115ST	M4 CAP HEAD
7	4	CP6230-110	PAD SUPPORT
8	4	CP6075-105	WEAR PLATE
9	0.5	CP3880-1	M10 BLEEDSCREW KIT (2 OFF O-RING & SCREW)
10	1	CP5095-112 RH CP5095-113 LH	PAD RETAINER
11	2	CP4611-110	M8 PAD RETAINER BOLT



SCALE 1:1 SHEET 2 OF 2  
 DRAWN Steve Thomas  
 APPROVED \_\_\_\_\_  
 DERIVED FROM \_\_\_\_\_  
 TITLE  
 6 POT FORGED MONOBLOCK  
 CALIPER INSTALLATION DRAWING  
 DRG NO. CP5095-1CD