

B1 INSTALLATION DRAWING

IF THIS DOCUMENT IS PRINTED IN HARDCOPY, IT IS FOR INFORMATION USE ONLY AND THEREFORE IS NOT SUBJECT TO UPDATING CONTROLS. ALWAYS REFER TO SOLIDWORKS VIEWER FOR LATEST ISSUE



THIS DRAWING IS CONFIDENTIAL AND IS SUPPLIED ON THE EXPRESS CONDITION THAT IT SHALL NOT BE LOANED OR COPIED OR DISCLOSED TO ANY OTHER PERSON OR USED FOR ANY OTHER PURPOSE WITHOUT THE WRITTEN CONSENT OF AP RACING LTD.

AP Racing
Wheler Road
Coventry
CV3 4LB
Tel: +44 024 7683 9595
Fax: +44 024 7683 9559
e-mail: sales@apracing.co.uk
Web site: HTTP://www.apracing.com
© AP Racing Ltd. 2005

GENERAL DESCRIPTION:
THIS IS A 6 PISTON DIFFERENTIAL BORE CALIPER DESIGNED TO OPERATE ON A VENTILATED IRON DISC OF UP TO Ø378.0mm DIA BY 35.56 TO 32.0mm THICK. STAINLESS STEEL BRIDGE PIPES AND PAD ABUTMENT WEAR PLATES ARE FITTED. SEALS ARE HIGH TEMPERATURE 'SEAL-IN-BORE' TYPE.

TYPICAL APPLICATION:
GT

TECHNICAL INFORMATION:
TOTAL PISTON AREA: 50.1cm²
PISTON MATERIAL: STAINLESS STEEL (STANDARD)
BODY MATERIAL: CAST ALUMINUM ALLOY
ALL HYDRAULIC THREADS M10x1.0
ASSEMBLY WEIGHT : 3.4 Kg (WITHOUT PADS)

INSTALLATION INFORMATION:
DISC & CALIPER MOUNTING TOLERANCES TO BE SUCH THAT THE DISC IS CENTRAL TO THE CALIPER TO WITHIN ±0.5mm

KEY TO DIMENSIONS:
DIMENSION 'PL': TOP OF PAD MATERIAL TO MOUNTING BOSS FACE WITH PAD SITTING DOWN ON LEDGE.
DIMENSION 'U': WHEEL CENTRE LINE TO CALIPER MOUNTING BOSS FACE + (DISC Ø/2) - DIMENSION 'PL'
DIMENSION 'C': OFFSET - DISC CENTRE LINE TO MOUNTING HOLES.
EFFECTIVE RADIUS: DISTANCE FROM WHEEL CENTRE LINE TO NOMINAL PISTON CENTRE LINE.

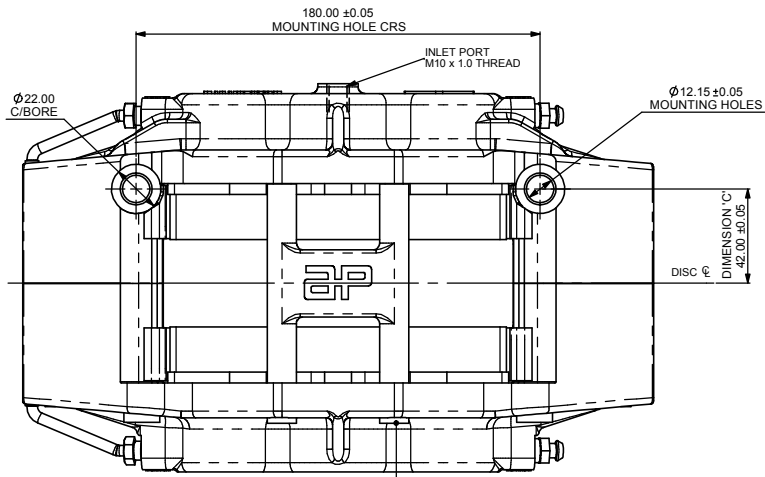
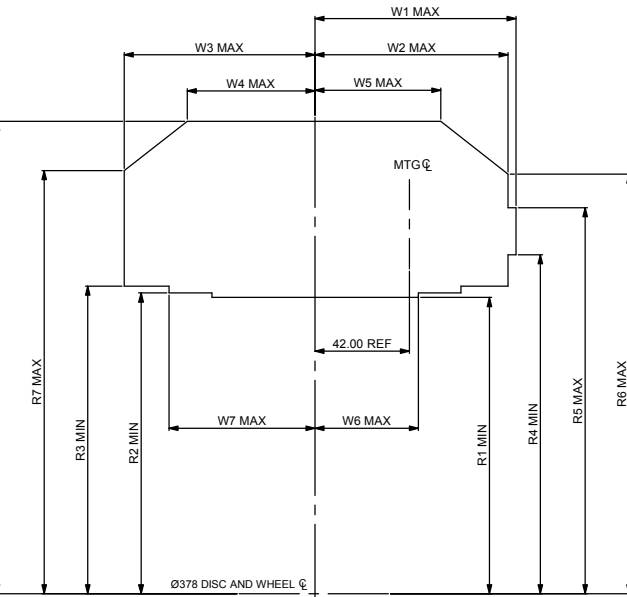
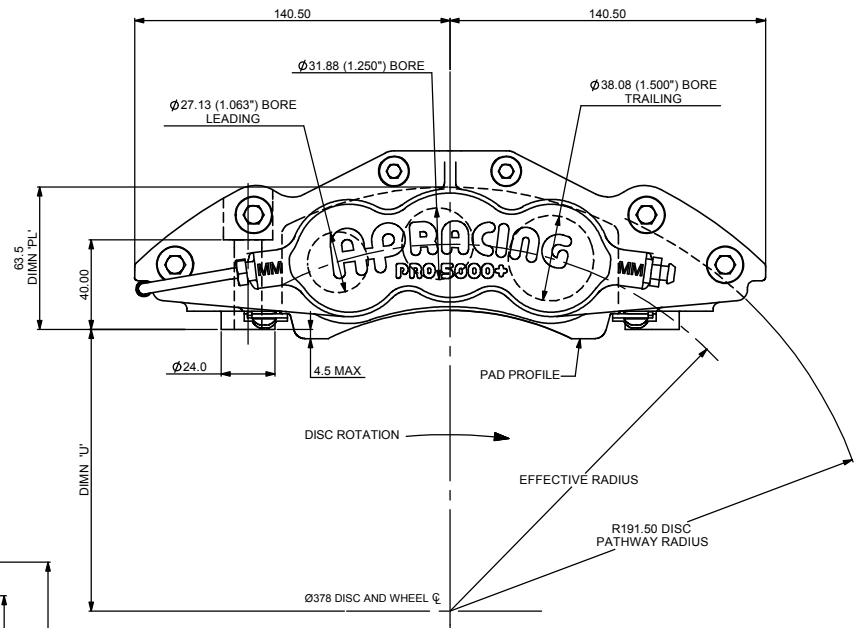
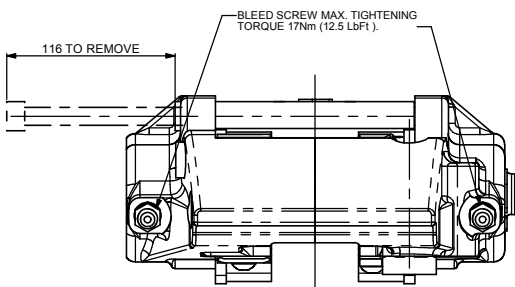
AP RACING TECHNICAL SECTION WILL BE PLEASED TO ADVISE ON THE MOST SUITABLE EQUIPMENT FOR ANY PARTICULAR APPLICATION.

CALIPER PART NUMBER ORDERING SYSTEM:
1. SELECT ASSEMBLY FROM TABLE.
2. SELECT SUFFIX CHARACTERS AS FOLLOWS:
1ST CHARACTER - 'S' DENOTES POSITION OF INLET ADAPTER.
S¹ FOR SIDE-FEED (STANDARD).
2ND CHARACTER - DENOTES THE LOAD OF ANTI KNOCK BACK SPRINGS FITTED.
O' NO SPRINGS.
4' 4lb (17.8N) SPRINGS.
7' 7lb (31N) SPRINGS.

EXAMPLE PART No CP5270-2S7L
PADS
THE CORRECT PAD FAMILY NUMBER FOR THIS CALIPER IS CP3558. PADS SHOULD BE ORDERED SEPARATELY.

SEE SHEET 2 FOR SPARE PARTS LIST

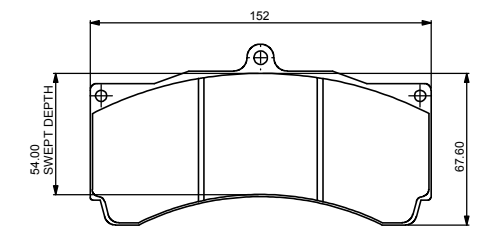
Alterations		Date & No.	Particulars	Zone	Initials
1		18/10/06 B4161	FIRST ISSUE		DRA



PAD RETAINING BOLTS SHOULD BE TIGHTENED TO A TORQUE OF 27Nm (20 Lbs Ft). IF POSSIBLE IT IS RECOMMENDED THAT THESE BOLTS ARE LOCKWIRED IN POSITION.

RHT	RIGHT HAND TRAILING	BEHIND AXLE (AS DRAWN)
LHT	LEFT HAND TRAILING	BEHIND AXLE
RHL	RIGHT HAND LEADING	IN FRONT OF AXLE
LHL	LEFT HAND LEADING	IN FRONT OF AXLE

STROKE NO				DISC WIDTH	DISC DIAMETER	EFF RAD	DMN 'U'
RHT	LHT	RHL	LHL				
2	3	4	5	35.56 TO 32.0	378.0	163.5	125.5
2	3	4	5	35.56 TO 32.0	356.0	153.0	114.5



CP3558 FAMILY
PAD THICKNESS 25.0mm
PAD AREA 77.50cm²
PAD VOLUME 155.0cm³

PART No.	DISC DIA	DISC WIDTH	R1	R2	R3	R4	R5	R6	R7	R8	W1	W2	W3	W4	W5	W6	W7
CP5270-2/3/4/5	378.0	35.56 TO 32.0	132.0	134.0	137.0	151.0	172.0	187.0	188.5	210.5	89.5	86.0	85.0	57.0	56.0	46.0	65.0
CP5270-2/3/4/6	356.0	35.56 TO 32.0	121.5	123.0	126.0	140.0	161.0	176.5	177.5	201.5	89.5	86.0	85.0	57.0	56.0	46.0	65.0

SCALE 1:1 SHEET 1 OF 2
DRAWN D.ARROWSMITH
APPROVED
DERIVED FROM
TITLE
6 PISTON CALIPER
INSTALLATION DRAWING
DRG NO. CP5270-1CD

B1 INSTALLATION DRAWING

IF THIS DOCUMENT IS PRINTED IN HARDCOPY, IT IS FOR INFORMATION USE ONLY AND THEREFORE IS NOT SUBJECT TO UPDATING CONTROLS. ALWAYS REFER TO SOLIDWORKS VIEWER FOR LATEST ISSUE



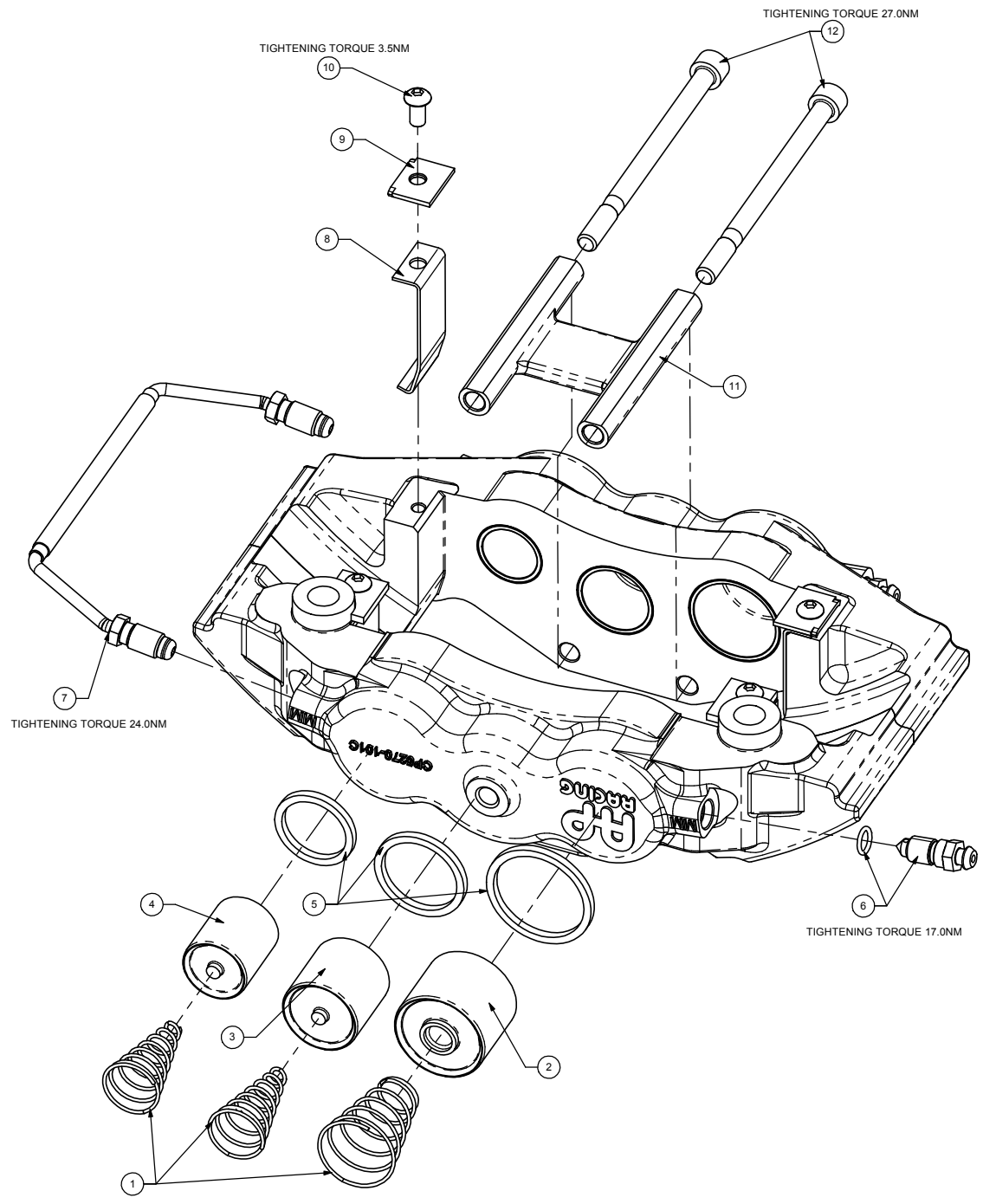
THIS DRAWING IS CONFIDENTIAL AND IS SUPPLIED ON THE EXPRESS CONDITION THAT IT SHALL NOT BE LOANED OR COPIED OR DISCLOSED TO ANY OTHER PERSON OR USED FOR ANY OTHER PURPOSE WITHOUT THE WRITTEN CONSENT OF AP RACING LTD.



AP Racing
Wheler Road
Coventry
CV3 4LB
Tel: +44 024 7683 9595
Fax: +44 024 7683 9559
e-mail: sales@apracing.co.uk
Web site: HTTP://www.apracing.com

SPARE PARTS LIST			
REF	QTY / CALIPER	PART NO.	DESCRIPTION
1	1	CP6518-7LBSSL	7.00LB AKB SPRING KIT
2	2	CP5260-111	Ø1.50" PISTON
3	2	CP5260-110	Ø1.25" PISTON
4	2	CP5260-109	Ø1.06" PISTON
5	1	CP4518-CEJ	HIGH-TEMP SEAL KIT (6 SEALS)
6	1	CP3880-1	M10 BLEEDSCREW KIT (2 OFF O-RING & SCREW)
7	1	CP5260-12	PIPE ASSEMBLY
8	2	CP5260-106	WEARPLATE (COVER SIDE)
	1	CP5270-104	WEAR PLATES (MOUNTING SIDE)
	1	CP5270-105	(HANDED)
9	2	CP5260-107	PAD SUPPORT (COVER SIDE)
	2	CP5270-106	PAD SUPPORT (MOUNTING SIDE)
10	4	CP3160-106ST	M6 SCREW
11	1	CP4578-101	H PIECE
12	2	CP3714-117	H PIECE BOLT

FOR CALIPER RE-CONDITIONING INFORMATION SEE AP RACING DATA SHEET P14.101



Issue No	Alterations		Zone	Initials
	Date & No.	Particulars		

SCALE 1:5	SHEET 2 OF 2
DRAWN	D.ARROWSMITH
APPROVED	
DERIVED FROM	
TITLE	
6 PISTON CALIPER INSTALLATION DRAWING	
DRG NO.	CP5270-1CD