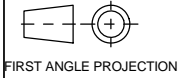


A2 INSTALLATION DRAWING

If this document is printed in hardcopy, it is for information use only and therefore is not subject to updating controls. Always refer to viewer for latest issue.



THIS DRAWING IS CONFIDENTIAL AND IS SUPPLIED ON THE EXPRESS CONDITION THAT IT SHALL NOT BE LOANED OR COPIED OR DISCLOSED TO ANY OTHER PERSON OR USED FOR ANY OTHER PURPOSE WITHOUT THE WRITTEN CONSENT OF AP RACING LTD.



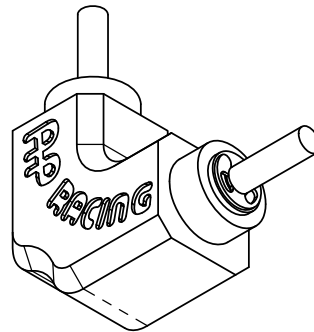
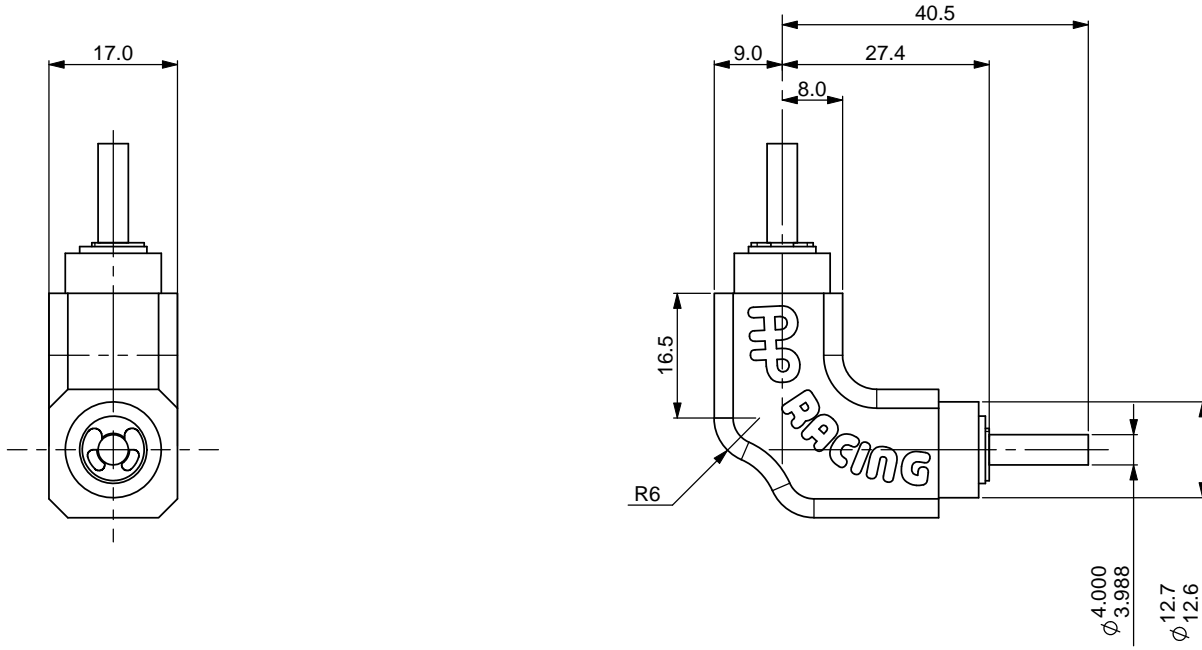
AP Racing
Wheler Road
Coventry
CV3 4LB

Tel: +44 024 7663 9595
Fax: +44 024 7663 9559
e-mail: sales@ap racing.co.uk

© AP Racing Ltd. 2005

Web site: <http://www.ap racing.com>

Issue No.	Date & No.	Alterations		Zone	Initials
		Particulars			
1	MAY '11 B6223	FIRST ISSUE			JT



SPECIFICATION

TYPE - 90° BEVEL GEARBOX
RATIO - 1:1
MAX TORQUE - 0.68Nm
WEIGHT - 33g
BACKLASH - 2°
MAX TEMPERATURE - 80°C
APPLICATION - BALANCE BAR ADJUSTMENT

SCALE 2:1	SHEET 1 OF 1
DRAWN	Jon Tait
APPROVED	
DERIVED FROM	
TITLE BEVEL DRIVE GEARBOX	
DRG NO.	CP5500-66CD