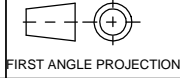


A2 INSTALLATION DRAWING

If this document is printed in hardcopy, it is for information use only and therefore is not subject to updating controls. Always refer to viewer for latest issue.



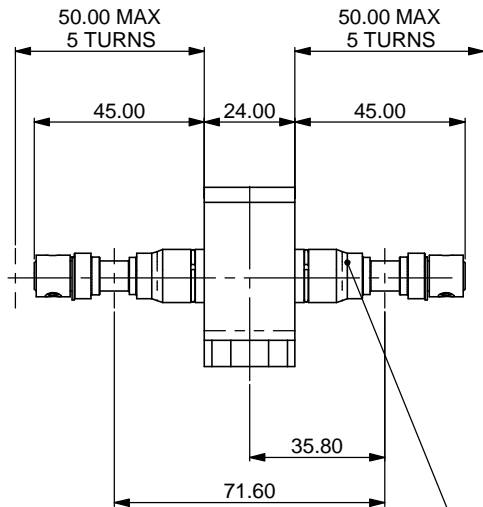
THIS DRAWING IS CONFIDENTIAL AND IS SUPPLIED ON THE EXPRESS CONDITION THAT IT SHALL NOT BE LOANED OR COPIED OR DISCLOSED TO ANY OTHER PERSON OR USED FOR ANY OTHER PURPOSE WITHOUT THE WRITTEN CONSENT OF AP RACING LTD.



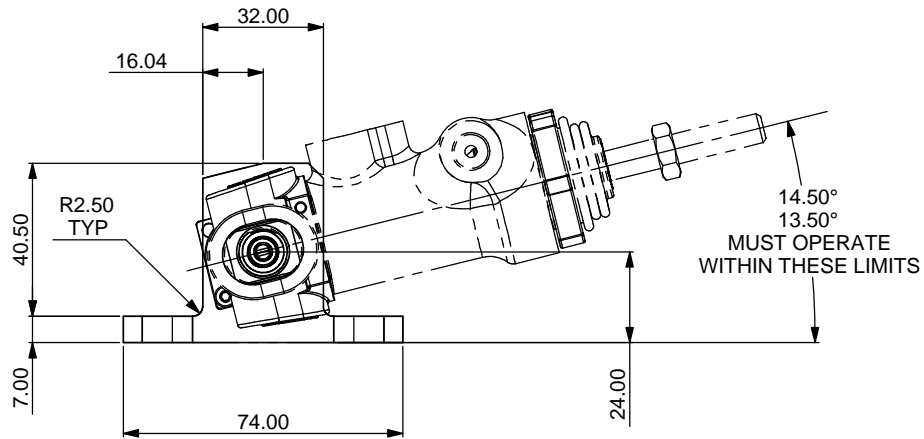
AP Racing
Wheler Road
Coventry
CV3 4LB

Tel: +44 024 7663 9595
Fax: +44 024 7663 9559
e-mail: sales@ap racing.co.uk
Web site: http://www.ap racing.com

© AP Racing Ltd. 2005



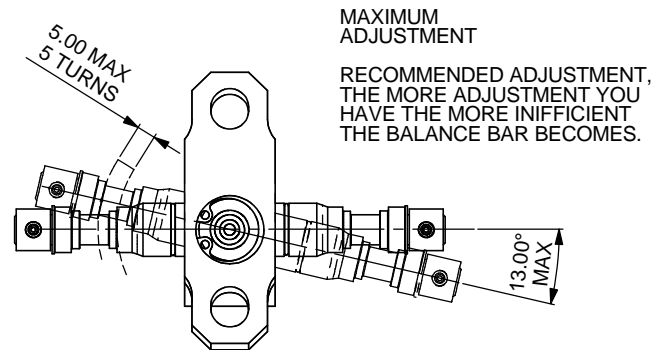
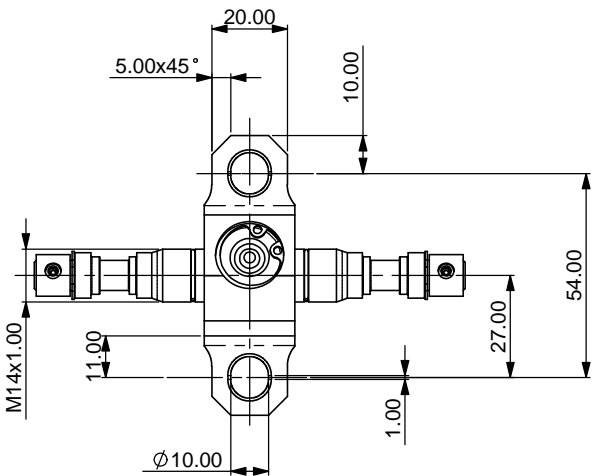
BALANCE BAR SHOWN CENTRAL



PART NUMBERS

CP5520-3 - BALANCE BAR AS SHOWN.

GENERAL DESCRIPTION:- THIS SMALL AND COMPACT BALANCE BAR USES NEEDLE ROLLER BEARINGS, TO PROVIDE LOW HYSTERESIS AND HIGH EFFICIENCY. THIS SPECIFIC VERSION IS DESIGNED TO FIT AT THE FIXED END OF AN ARRANGMENT AND DESIGNED TO WORK WITH OUR CP6465, CP7854 MASTER CYLINDERS, AS SHOWN. SEE OUR RECOMMENDED LIMITS ON BALANCE BAR ADJUSTMENT.

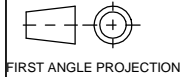


Issue No.	Alterations		Zone	Initials
	Date & No.	Particulars		
1	28/10/04 B4103	FIRST ISSUE		JH
2	30/11/04 B4096	BOOT NUMBERS CORRECTED		CDA
3	11/02/05 B4169	SPARE PARTS CHART REPLACES SEPARATE ITEMS LIST. ASSEMBLY NOTES AND EXPLODED VIEW BALLOON NUMBERS MODIFIED TO SUIT. CORRECTION: 50.0 MAX WAS 49.5	H1	DRA
4	16/10/07	ADDITIONAL INSTALLATION DIMENSIONS ADDED.		CDA
5	09/10/2008	BALANCE BAR AND EXTRAS UPDATED.		CDA
6	11/03/2013 B6028	BALANCE BAR HOUSING UPDATED TO LATEST SPEC.		CDA

SCALE 1:1	SHEET 1 OF 2
DRAWN	Chris Arrowsmith
APPROVED	
DERIVED FROM	
TITLE	HIGH EFFICIENCY BALANCE BAR ASSEMBLY
DRG NO.	CD5520-3CD

A2 INSTALLATION DRAWING

If this document is printed in hardcopy, it is for information use only and therefore is not subject to updating controls. Always refer to viewer for latest issue.



THIS DRAWING IS CONFIDENTIAL AND IS SUPPLIED ON THE EXPRESS CONDITION THAT IT SHALL NOT BE LOANED OR COPIED OR DISCLOSED TO ANY OTHER PERSON OR USED FOR ANY OTHER PURPOSE WITHOUT THE WRITTEN CONSENT OF AP RACING LTD.

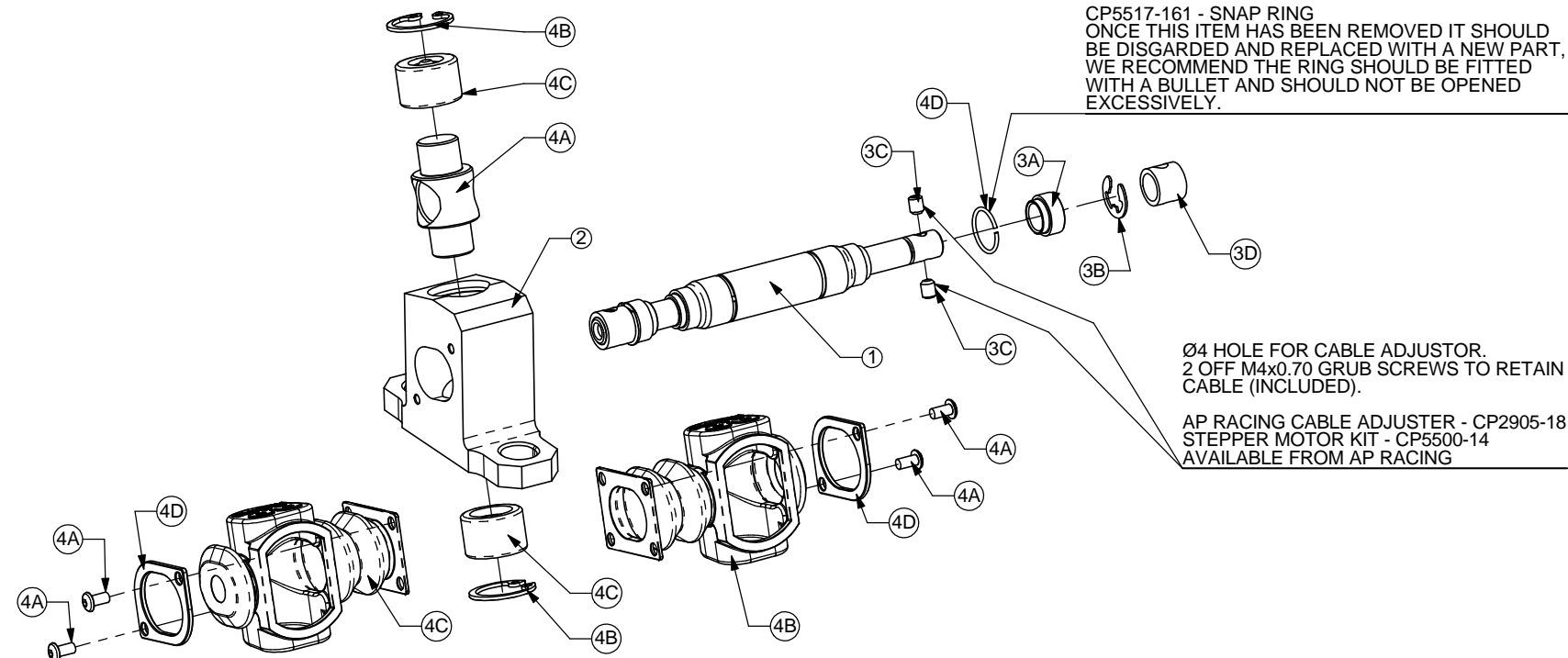


AP Racing
Wheler Road
Coventry
CV3 4LB

Tel: +44 024 7663 9595
Fax: +44 024 7663 9559
e-mail: sales@apracing.co.uk
Web site: http://www.apracing.com

© AP Racing Ltd. 2005

Issue No.	Alterations		Zone	Initials
	Date & No.	Particulars		



CP5517-161 - SNAP RING
ONCE THIS ITEM HAS BEEN REMOVED IT SHOULD BE DISCARDED AND REPLACED WITH A NEW PART, WE RECOMMEND THE RING SHOULD BE FITTED WITH A BULLET AND SHOULD NOT BE OPENED EXCESSIVELY.

Ø4 HOLE FOR CABLE ADJUSTOR.
2 OFF M4x0.70 GRUB SCREWS TO RETAIN CABLE (INCLUDED).

AP RACING CABLE ADJUSTOR - CP2905-18
STEPPER MOTOR KIT - CP5500-14
AVAILABLE FROM AP RACING

BALANCE BAR ASSEMBLY INSTALLATION

A. FITTING THE BALANCE BAR TO THE PEDAL.

1. MAKE 4 HOLES IN THE PEDAL OF THE RECOMMENDED DIMENSIONS. THE CENTER HAS TO BE AT THE SAME HEIGHT AS THE MASTER CYLINDER CENTERLINE WHEN PEDAL IS SQUARE TO THE MASTER CYLINDER.

2. IN POSITIONING THE BALANCE BAR ON THE PEDAL, PLEASE TAKE NOTICE OF THE DIRECTION OF LOAD, AS SHOWN. IT MAY EFFECT THE POSITION YOU CHOOSE.

B. FITTING THE CLEVIS TO THE BALANCE BAR

- PUSH THE CLEVIS SUB-ASSY (3) ON TO BALANCE BAR(1).
- PUSH THE WASHER (3A) AGAINST THE CLEVIS SUB-ASSY(3)
- PUSH CIRCLIP (3B) INTO PLACE ON BALANCE BAR (1) TO HOLD CLEVIS SUB-ASSY (3) IN PLACE.
- FIT REMAINING SLEEVE (3D) & GRUB SCREWS (3C).

C. SETTING UP THE BALANCE BAR

- INSTALL M8 NUTS PROVIDED ON MASTER-CYLINDER PUSHRODS.
- ADJUST THE PUSHRODS SO THAT THE BALANCE BAR IS PERPENDICULAR TO THE PUSHRODS UNDER MAXIMUM LOAD. THE SYSTEM IS THEN SQUARE. IT IS NOT IMPORTANT THAT THE SYSTEM IS SQUARE WHEN RELEASED, BUT IT HAS TO BE UNDER LOAD.

FOR MAXIMUM EFFICIENCY, IT IS RECOMMENDED THAT THE PEDAL IS AT RIGHT ANGLE WITH THE PUSHRODS UNDER MAXIMUM BRAKING LOAD; AND ALSO KEEPING THE BALANCE BAR CENTRAL WITH BETTER SELECTION OF MASTER CYLINDER SIZES HELPS REDUCE INEFFICIENCIES.

ALSO MAKE SURE THAT THE MASTER-CYLINDER PISTONS FULLY RETURN BEFORE USE. THIS CAN BE CHECKED BY FEELING THE PUSHRODS FOR SLIGHT MOVEMENTS THERE SHOULD NOT BE ANY EXCESSIVE LOOSE MOVEMENT.

SPARE PARTS, SUB-ASSEMBLIES OR KITS					
REF	PART No.	DESCRIPTION	REF	DESCRIPTION	KIT QTY / ASS
1	CP5517-157	BALANCE BAR	-	-	1 1
2	CP5520-187	EMPTY HOUSING	-	-	1 1
3	CP5517-30	BALANCE BAR EXTRAS KIT	3A	BALANCE BAR SPACER	2 2
			3B	CIRCLIP	2 2
			3C	M4 GRUB SCREW	4 2
			3D	SLEEVE	2 1
4	CP5508-25	BALANCE BAR TRUNNION KIT	4A	TRUNNION	1 1
			4B	CIRCLIP	2 2
			4C	BEARING	2 2
			4D	SNAP RING	2 2

SCALE 1:1 SHEET 2 OF 2

DRAWN Chris Arrowsmith

APPROVED

DERIVED FROM

TITLE
HIGH EFFICIENCY BALANCE BAR ASSEMBLY

DRG NO. CD5520-3CD