

# A1 INSTALLATION DRAWING

IF THIS DOCUMENT IS PRINTED IN HARDCOPY, IT IS FOR INFORMATION USE ONLY AND THEREFORE IS NOT SUBJECT TO UPDATING CONTROLS. ALWAYS REFER TO SOLIDWORKS VIEWER FOR LATEST ISSUE

FIRST ANGLE PROJECTION

THIS DRAWING IS CONFIDENTIAL AND IS SUPPLIED ON THE EXPRESS CONDITION THAT IT SHALL NOT BE LOANED OR COPIED OR DISCLOSED TO ANY OTHER PERSON OR USED FOR ANY OTHER PURPOSE WITHOUT THE WRITTEN CONSENT OF AP RACING LTD.

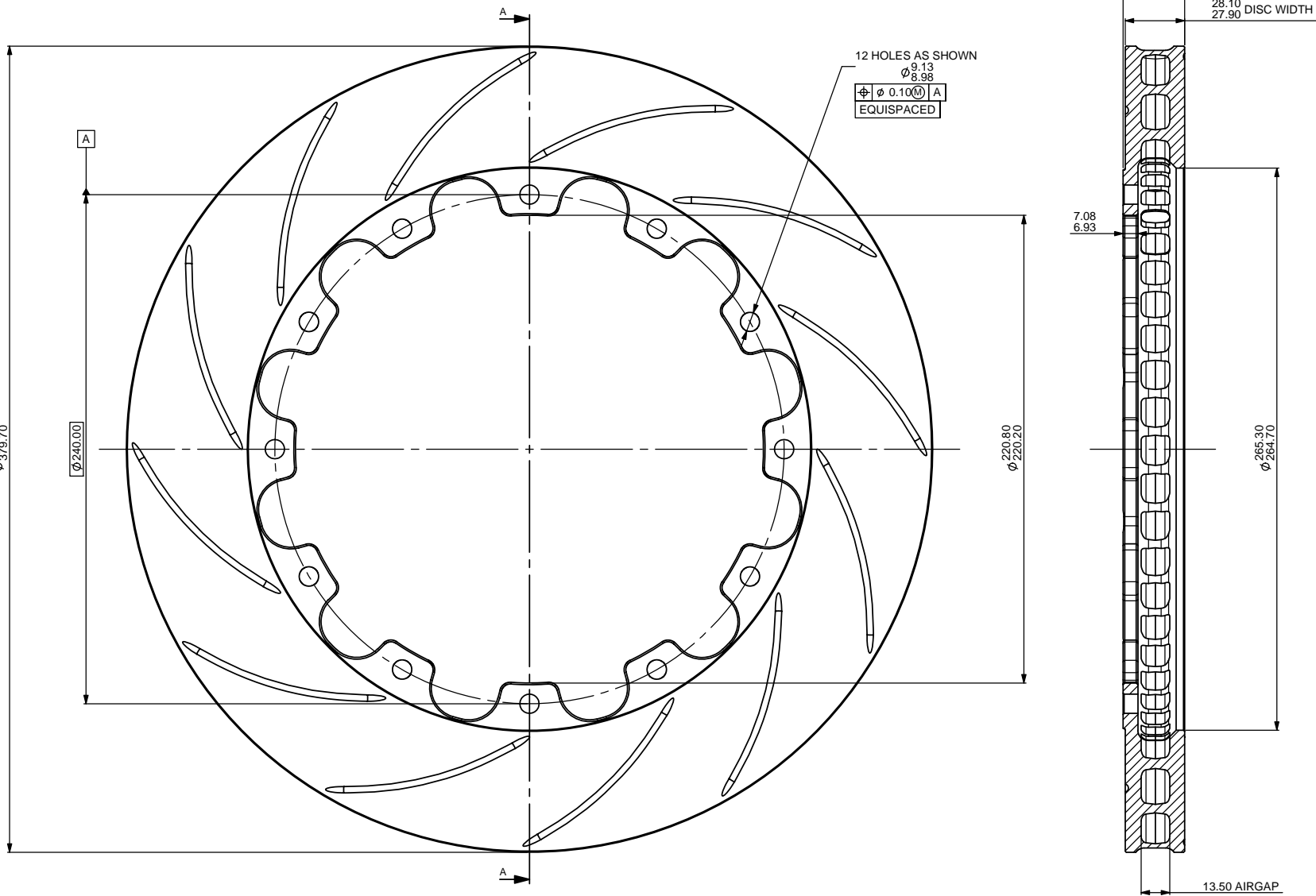


AP Racing  
Wheler Road  
Coventry  
CV3 4LB

Tel: +44 (0) 24 7663 9595  
Fax: +44 (0) 24 7663 9559  
e-mail: [engineering@apracings.co.uk](mailto:engineering@apracings.co.uk)  
Web site: <http://www.apracings.com>

© AP Racing Ltd. 2005

Issue No.	Date & No.	Alterations		Zone	Initials
		Particulars	#		
1	24/06/13 R3813	FIRST ISSUE			GRD



CP5914-184CG12 RH DISC (DRAWN)  
CP5914-185CG12 LH

ELVD NOTE  
MATERIAL AND COATING COMPLY  
WITH E.U. DIRECTIVE 2000/53/EC.

SECTION A-A

SCALE 1:1	SHEET 1 OF 1
DRAWN	GREG DOLMAN
APPROVED	
DERIVED FROM	CP5914-174-5
TITLE	Ø380 x 28 DISC INSTALLATION DRAWING
DRG NO.	CP5914-184-5CG12_CD