

A1 INSTALLATION DRAWING

IF THIS DOCUMENT IS PRINTED IN HARDCOPY, IT IS FOR INFORMATION USE ONLY AND THEREFORE IS NOT SUBJECT TO UPDATING CONTROLS. ALWAYS REFER TO SOLIDWORKS VIEWER FOR LATEST ISSUE



THIS DRAWING IS CONFIDENTIAL AND IS SUPPLIED ON THE EXPRESS CONDITION THAT IT SHALL NOT BE LOANED OR COPIED OR DISCLOSED TO ANY OTHER PERSON OR USED FOR ANY OTHER PURPOSE WITHOUT THE WRITTEN CONSENT OF AP RACING LTD.



AP Racing
Wheler Road
Coventry
CV3 4LB

Tel: +44 (0) 24 7663 9595
Fax: +44 (0) 24 7663 9559
e-mail: engineering@apracings.com
Web site: <http://www.apracings.com>

© AP Racing Ltd. 2005

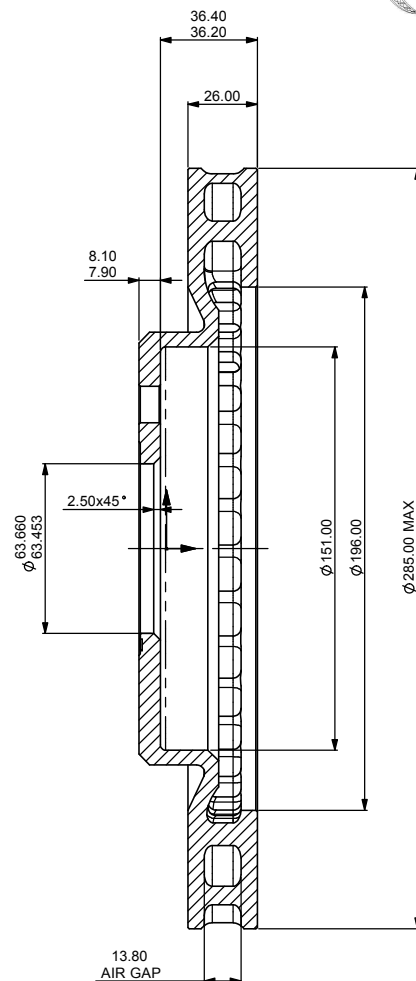
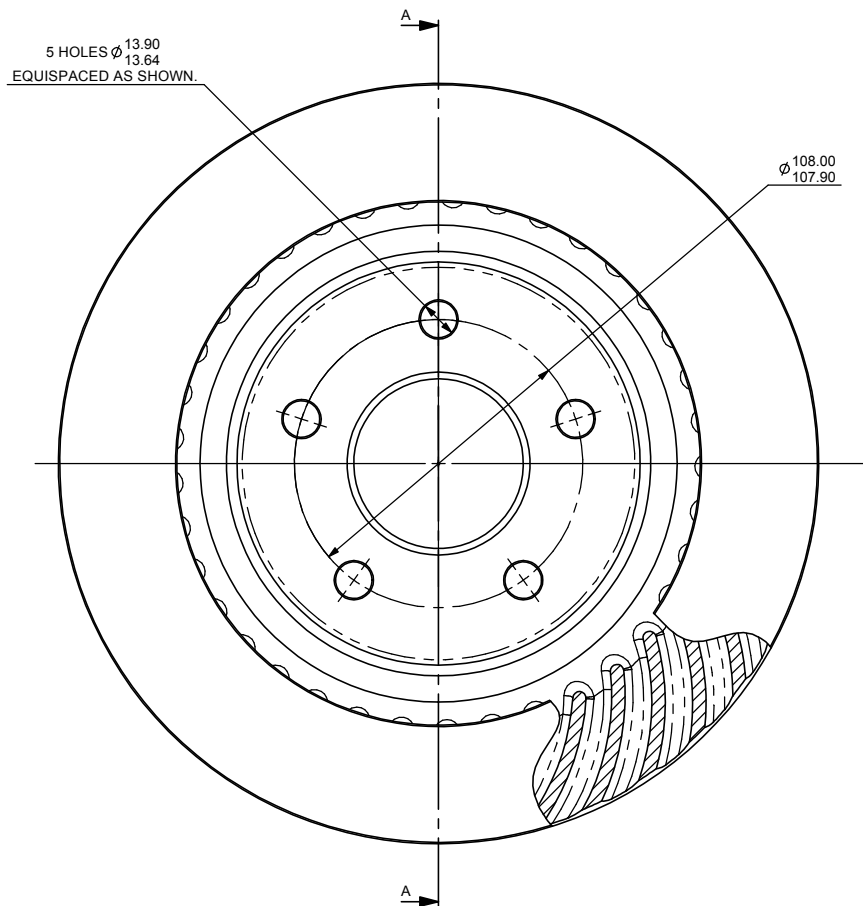
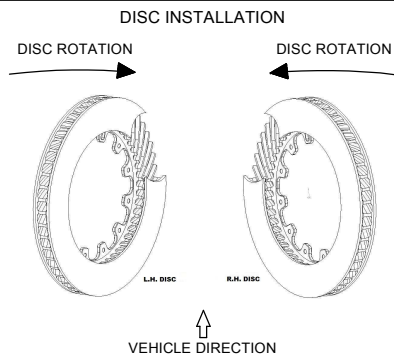
DISC PART NUMBERS

CP6552-104P RH AS DRAWN
CP6552-105P LH OPPOSITE

THIS IS A 37 VANE DISC OF MASS 5515.43g

THIS DISC WAS DESIGNED TO WORK WITH A D41 DEPTH PAD.

FOR DISC MOUNTING TECHNIQUES, BEDDING PROCEDURE AND DISC COOLING RECOMMENDATIONS SEE AP RACING BRAKE DISC CATALOGUE.



Issue No.	Alterations		Zone	Initials
	Date & No.	Particulars		
1	12/05/2009 B5585	FIRST ISSUE		
2	13/05/2009 B5585	36.40/36.30 WAS 35.55/35.35, 8.10/7.90 WAS 7.23/7.03.		

SCALE 1:1		SHEET 1 OF 1	
DRAWN	Chris Arrowsmith		
APPROVED			
DERIVED FROM			
TITLE			
285 x 26.0 VENT DISC			
DRG NO.	CP6552-104/105CD		