

B1 INSTALLATION DRAWING

IF THIS DOCUMENT IS PRINTED IN HARDCOPY, IT IS FOR INFORMATION USE ONLY AND THEREFORE IS NOT SUBJECT TO UPDATING CONTROLS. ALWAYS REFER TO SOLIDWORKS VIEWER FOR LATEST ISSUE



THIS DRAWING IS CONFIDENTIAL AND IS SUPPLIED ON THE EXPRESS CONDITION THAT IT SHALL NOT BE LOANED OR COPIED OR DISCLOSED TO ANY OTHER PERSON OR USED FOR ANY OTHER PURPOSE WITHOUT THE WRITTEN CONSENT OF AP RACING LTD.



© AP Racing Ltd. 2000
 AP Racing
 Wheler Road
 Coventry
 CV3 4LB

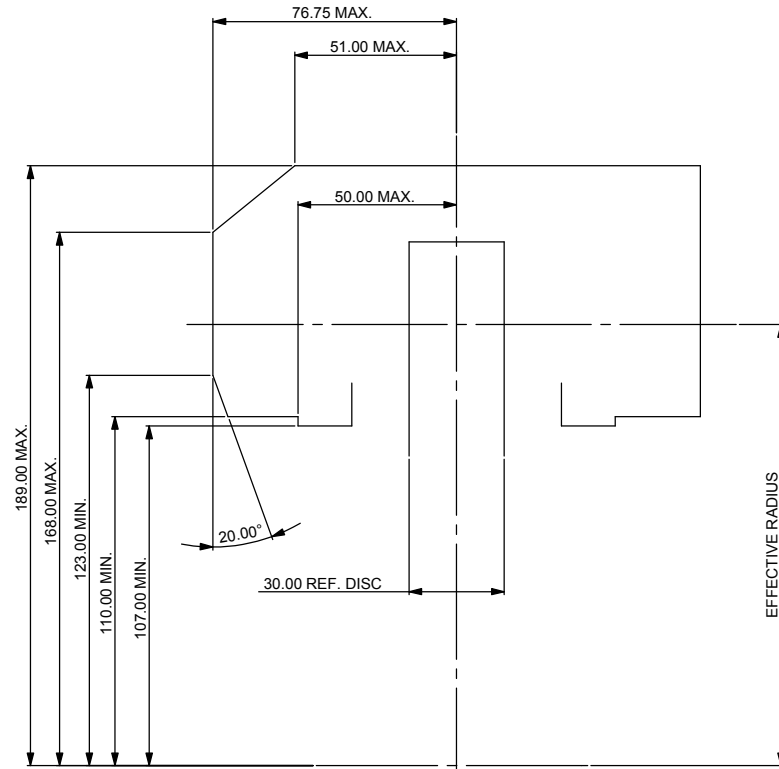
Tel: +44 024 7663 9595 e-mail: sales@apracing.co.uk
 Fax: +44 024 7663 9559 Web site: HTTP://www.apracing.com

CALIPER SPECIFICATION

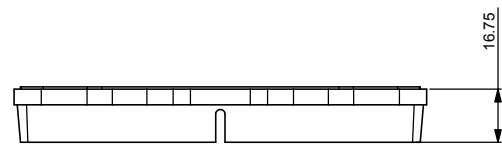
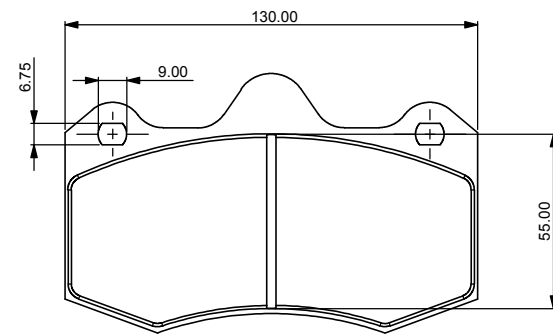
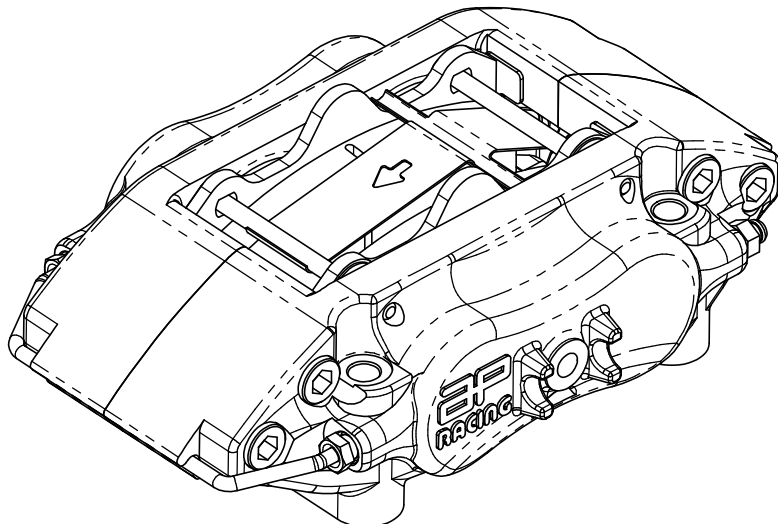
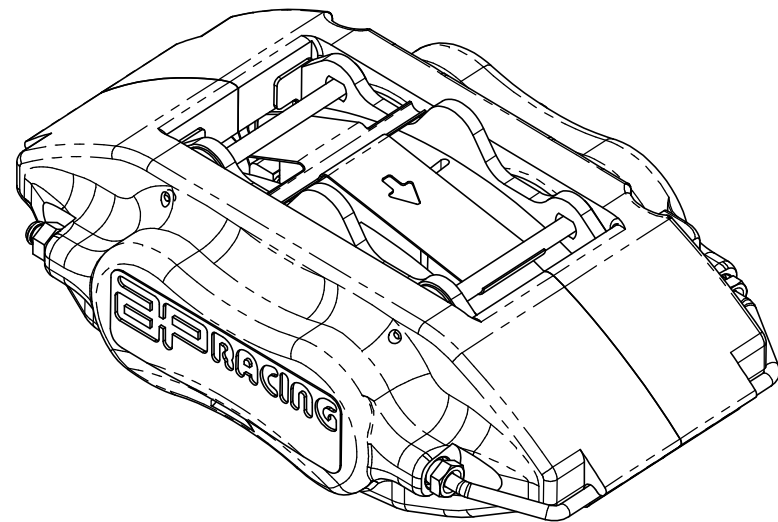
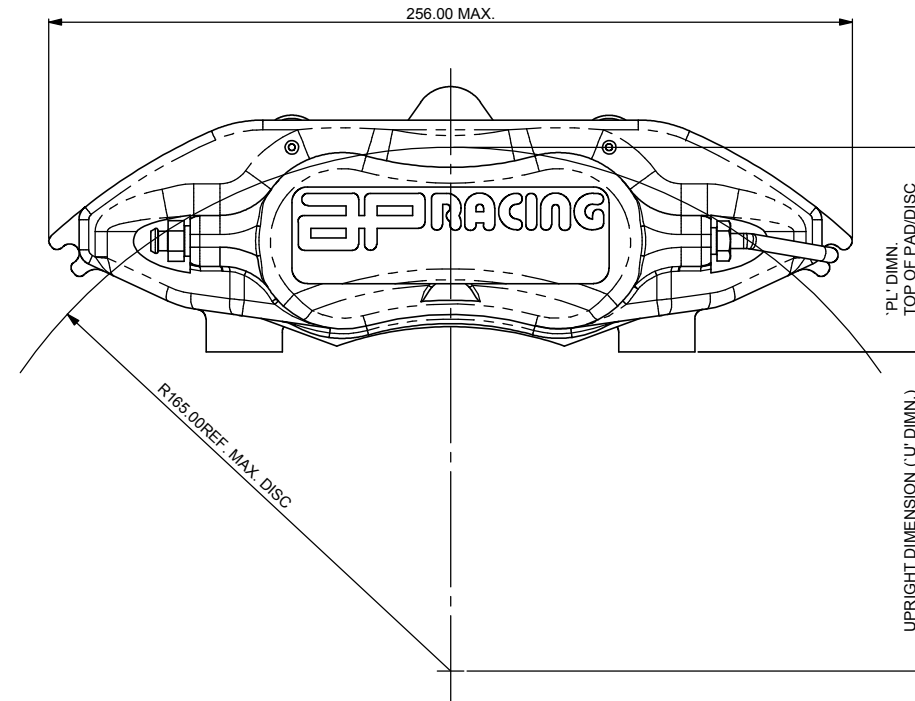
BORE SIZE	38.10 X 41.30 (1.50" X 1.625")
PISTON AREA / PAD	24.9 SQ. CM
DISC DIA. MAX.	330.00
DISC THICKNESS MAX.	30.00
DISC THICKNESS MIN. (WORN CONDITION)	28.00 (DIFFERENTIAL WEAR NOT TO EXCEED 0.50MM SIDE TO SIDE)
HYDRAULIC FEED	M10 X 1.0
DRY WEIGHT (LESS PADS)	2.80kg
PAD FAMILY	CP6600
EFFECTIVE RADIUS (ON DIA. 330.00 DISC)	139.00
'PL' DIMN.	64.50
OFFSET 'C' DIMN.	54.00
MTG. HOLE CENTRES 'D' DIMN.	130.00
PAD FRICTION MATERIAL MIN. THICKNESS	2.50
PAD RETENTION	2 X FRICTION RETAINED PINS
TIGHTENING TORQUES	BLEED SCREW : 17Nm HYDRAULIC FEED : 25Nm
CORROSION PROTECTION	FLUID RESISTANT BLACK PAINT FINISH - ALUMINIUM BODY BOOT TYPE DIRT SEALS

CALIPER IDENTIFICATION CHART

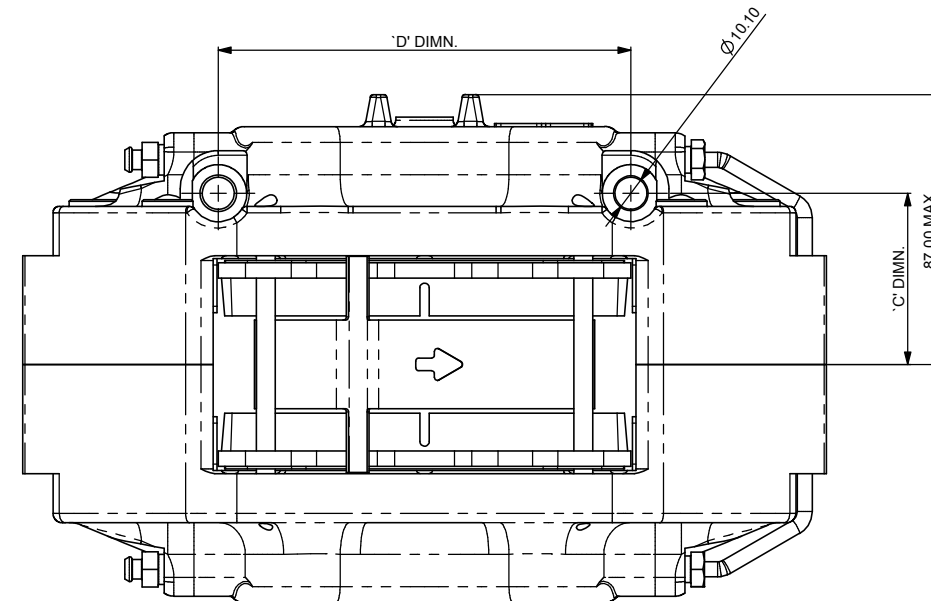
RHT	RIGHT HAND TRAILING (BEHIND AXLE)
LHT	LEFT HAND TRAILING (BEHIND AXLE)
RHL	RIGHT HAND TRAILING (IN FRONT OF AXLE)
LHL	LEFT HAND TRAILING (IN FRONT OF AXLE)



CALIPER RADIAL PROFILE AS FITTED ON Ø330.00 DISC.



CP6600 PAD FAMILY
 PAD AREA - 66 SQ. CM



PART NUMBERING CONVENTION

PART NUMBER	DESCRIPTION
CP6600-6S0	RHT - SIDE FEED - NO ANTI KNOCK BACK SPRING
CP6600-7S0	LHT - SIDE FEED - NO ANTI KNOCK BACK SPRING
CP6600-8S0	RHL - SIDE FEED - NO ANTI KNOCK BACK SPRING
CP6600-9S0	LHL - SIDE FEED - NO ANTI KNOCK BACK SPRING

Issue No	Alterations		Zone	Initials
	Date & No.	Particulars		
1	05/07/00 R0373	FIRST ISSUE	#	#
2	10/07/00 R0373	ADDITIONAL DATA ADDED	#	JS
3	17/07/00 R0373	ADDITIONAL DATA ADDED	#	JS

SCALE 1:1	SHEET 1 OF 1
DRAWN	Jon Simmonds
APPROVED	
DERIVED FROM	
TITLE	CALIPER INSTALLATION DRAWING 330 MAX. X 30 DISC INSTALLATIONS
DRG NO.	cp6600-1cd