

# A1 INSTALLATION DRAWING

IF THIS DOCUMENT IS PRINTED IN HARDCOPY, IT IS FOR INFORMATION USE ONLY AND THEREFORE IS NOT SUBJECT TO UPDATING CONTROLS. ALWAYS REFER TO SOLIDWORKS VIEWER FOR LATEST ISSUE



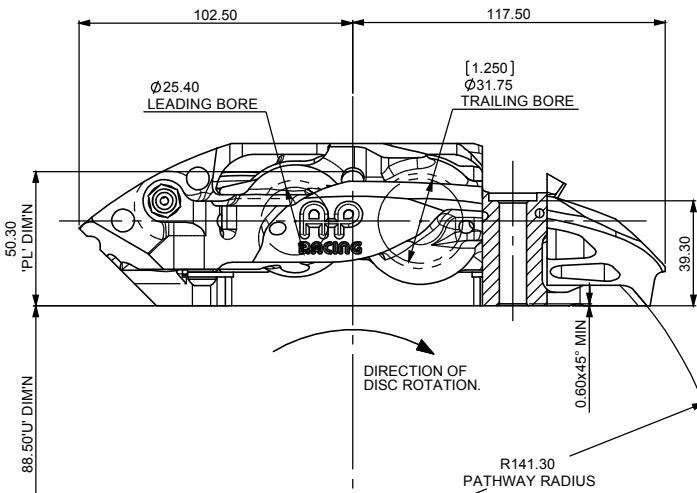
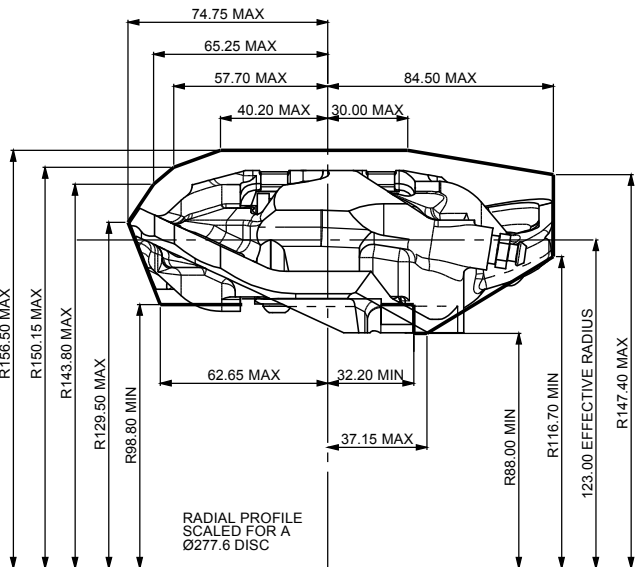
THIS DRAWING IS CONFIDENTIAL AND IS SUPPLIED ON THE EXPRESS CONDITION THAT IT SHALL NOT BE LOANED OR COPIED OR DISCLOSED TO ANY OTHER PERSON OR USED FOR ANY OTHER PURPOSE WITHOUT THE WRITTEN CONSENT OF AP RACING LTD.



AP Racing  
Wheler Road  
Coventry  
CV3 4LB

Tel: +44 (0) 24 7663 9595  
Fax: +44 (0) 24 7663 9559  
e-mail: [engineering@apracings.com](mailto:engineering@apracings.com)  
Web site: <http://www.apracings.com>

© AP Racing Ltd. 2005



**GENERAL DESCRIPTION:**  
4 PISTON DIFFERENTIAL BORE CALIPER TO SUIT UP TO Ø277.6 x 18 IRON DISC

**APPLICATION:**  
FORMULA 3

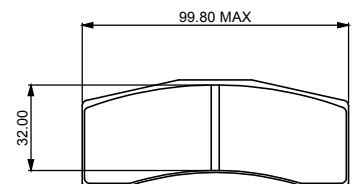
**TECHNICAL INFORMATION:**  
TOTAL PISTON AREA: 25.97cm<sup>2</sup>  
PISTON MATERIAL: STAINLESS STEEL  
BODY MATERIAL: ALUMINIUM ALLOY  
ASSEMBLY WEIGHT: 1.2kg

**INSTALLATION INFORMATION:**  
DISC & CALIPER MOUNTING TOLERANCES TO BE SUCH THAT THE DISC IS CENTRAL TO THE CALIPER TO WITHIN ±0.5mm.  
CALIPER TO BE MOUNTED WITHIN ±15° FROM VERTICAL.  
DISC DIAMETRAL CLEARANCE SHOULD BE 2.5mm NOM. FROM DISC O.D. TO PATHWAY.  
BLEED SCREW MAX. TIGHTENING TORQUE 17Nm

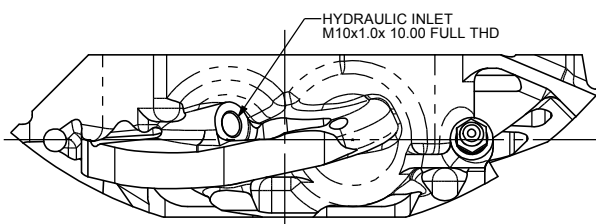
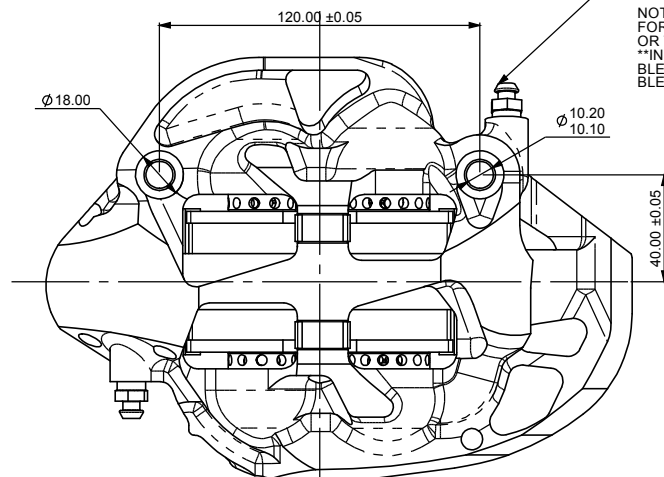
**KEY TO DIMENSIONS:**  
'P.L.': TOP OF PAD MATERIAL TO MOUNTING BOSS FACE WITH PAD SITTING DOWN ON LEDGE.  
'U': WHEEL CENTRE LINE TO CALIPER MOUNTING BOSS FACE (DISC Ø2)-DIMENSION 'P.L.'

**CALIPER PART NUMBERS:**  
CP7031-4SOLP - RIGHT HAND LEADING (IN FRONT OF AXLE) AND TRAILING (BEHIND AXLE)  
CP7031-5SOLP - LEFT HAND LEADING (IN FRONT OF AXLE) AND TRAILING (BEHIND AXLE)

'P' SUFFIX DENOTES CALIPER WITH 'CLIP IN TYPE' PISTONS FOR ADDITION OF CLIP IN PISTON CAPS - SEE CP6060-1PCD.



CP7031D32 PAD  
PAD AREA - 30.35cm<sup>2</sup>  
PAD THICKNESS - 15.75MM



Issue No.	Alterations			Zone	Initials
	Date & No.	Particulars	#		
1	19/04/07 B4515	FIRST ISSUE	#	JH	
2	02/10/07 B4515;11	BLANKING PLUG REPLACED WITH BLEED SCREW	#	JH	
3	14/12/07 B4515;14	Ø25.40 LEADING BORE WAS Ø25MM. PART NUMBERS CHANGED	#	JH	

SCALE 2:1	SHEET 1 OF 1
DRAWN	jheritage
APPROVED	
DERIVED FROM	
TITLE	4-POT F3 CALIPER
DRG NO.	cp7031-1cd