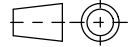


CP8080Y10~11

ISSUE: 1

If this document is printed in hardcopy, it is for information use only and therefore is not subject to updating controls. Always refer to viewer for latest issue.



FIRST ANGLE PROJECTION

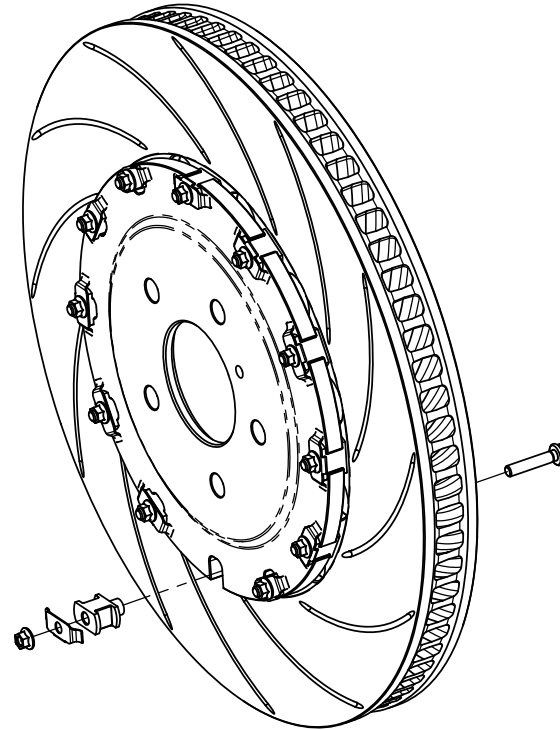
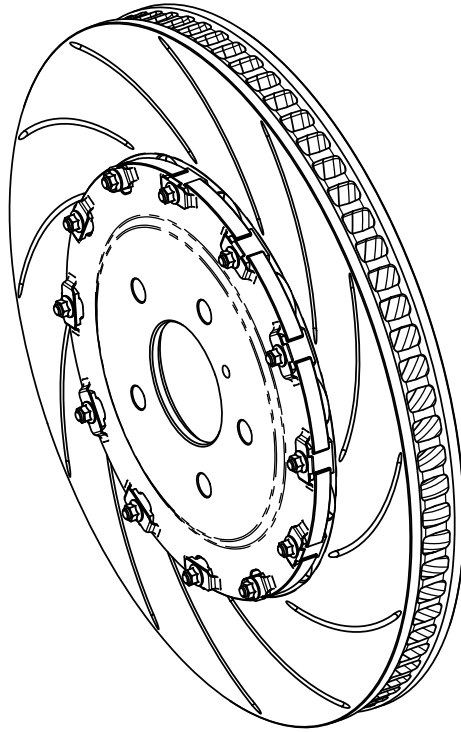
THIS DRAWING IS CONFIDENTIAL AND IS SUPPLIED ON THE EXPRESS CONDITION THAT IT SHALL NOT BE LOANED OR COPIED OR DISCLOSED TO ANY OTHER PERSON OR USED FOR ANY OTHER PURPOSE WITHOUT THE WRITTEN CONSENT OF AP RACING LTD.



AP Racing
Wheler Road
Coventry
CV3 4LB

Tel: +44 024 7663 9595
Fax: +44 024 7663 9559

© AP Racing Ltd. 2005
e-mail: sales@ap racing.co.uk
Web site: HTTP://www.ap racing.com



BRAKE DISK WEAR	
NEW	MIN WORN
34.00mm	32.5mm

COMMENTS
Disc & Bobbin Kit: CP8080Y10~11CG12/GA/SD For Mounting Bell: CP8080Y100 Assembly Mass = 12.28kg

THIS IS A PICTORIAL VIEW FOR REFERENCE ONLY. SOME PARTS MAY VARY FROM THOSE SUPPLIED. AP RACING RESERVE THE RIGHT TO CHANGE COMPONENTS WITHOUT PRIOR NOTICE.
Drawn By: Krystina Emmanouilides

PLEASE RETAIN THIS SHEET FOR FUTURE REFERENCE