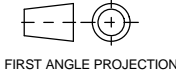


CP8080Y18~19CG8

ISSUE: 1

If this document is printed in hardcopy, it is for information use only and therefore is not subject to updating controls. Always refer to viewer for latest issue.



THIS DRAWING IS CONFIDENTIAL AND IS SUPPLIED ON THE EXPRESS CONDITION THAT IT SHALL NOT BE LOANED OR COPIED OR DISCLOSED TO ANY OTHER PERSON OR USED FOR ANY OTHER PURPOSE WITHOUT THE WRITTEN CONSENT OF AP RACING LTD.



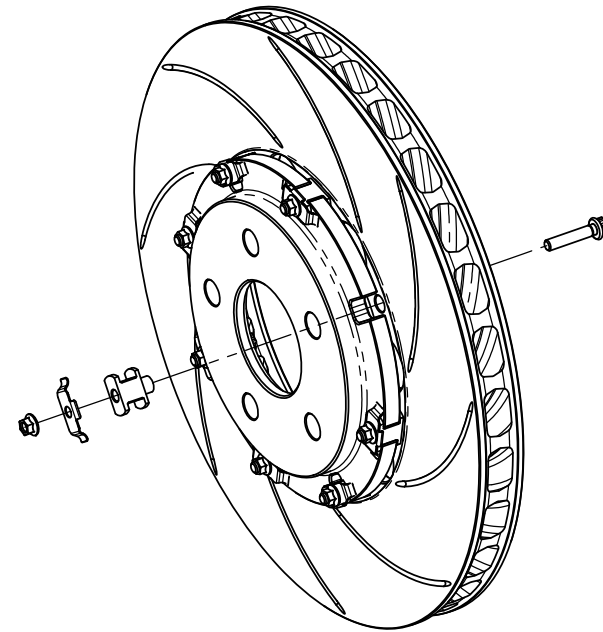
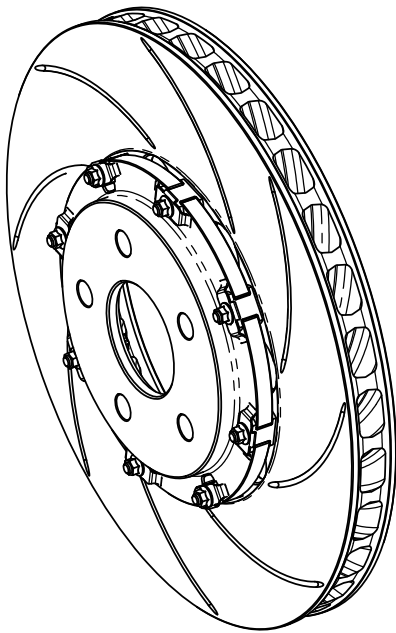
AP Racing
Wheler Road
Coventry
CV3 4LB

Tel: +44 024 7663 9595
Fax: +44 024 7663 9559

e-mail: sales@ap racing.co.uk

Web site: HTTP://www.ap racing.com

© AP Racing Ltd. 2005



| BRAKE DISK WEAR | |
|-----------------|----------|
| NEW | MIN WORN |
| 28.00mm | 26.5mm |

| COMMENTS |
|---|
| Disc & Bobbin Kit: CP8080Y18~19CG8 For Mounting Bell: CP8080Y180 Assembly Mass = 8.10kg |

PLEASE RETAIN THIS SHEET FOR FUTURE REFERENCE

THIS IS A PICTORIAL VIEW FOR REFERENCE ONLY. SOME PARTS MAY VARY FROM THOSE SUPPLIED. AP RACING RESERVE THE RIGHT TO CHANGE COMPONENTS WITHOUT PRIOR NOTICE.
Drawn By: Krystina Emmanouilides