

# B1 INSTALLATION DRAWING

IF THIS DOCUMENT IS PRINTED IN HARDCOPY, IT IS FOR INFORMATION USE ONLY AND THEREFORE NOT SUBJECT TO UPDATING CONTROLS. ALWAYS REFER TO SOLIDWORKS VIEWER FOR LATEST ISSUE



FIRST ANGLE PROJECTION

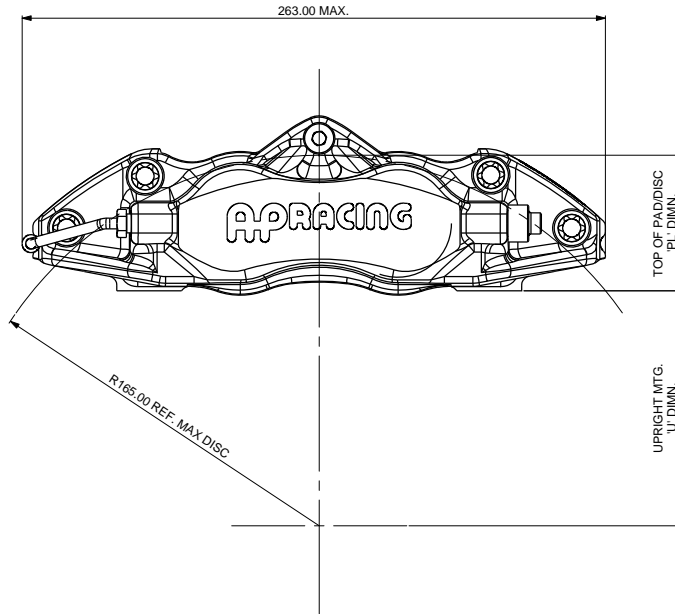
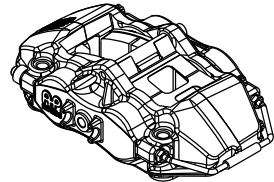
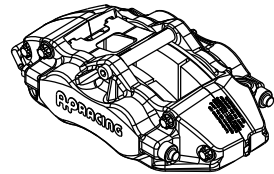
THIS DRAWING IS CONFIDENTIAL AND IS SUPPLIED ON THE EXPRESS CONDITION THAT IT SHALL NOT BE LOANED OR COPIED OR DISCLOSED TO ANY OTHER PERSON OR USED FOR ANY OTHER PURPOSE WITHOUT THE WRITTEN CONSENT OF AP RACING LTD.



AP Racing  
Wheler Road  
Coventry  
CV3 4LB  
Tel: +44 024 7663 9595  
Fax: +44 024 7663 9550  
e-mail: sales@apracing.co.uk  
Web site: HTTP://www.apracing.com

## CALIPER SPECIFICATION

BORE SIZE	38.10 x 41.30 (1.50"x1.625")
PISTON AREA / PAD	24.68 cm <sup>2</sup>
DISC DIA. MAX.	330.00
DISC THICKNESS MAX.	28.00
DISC THICKNESS MIN. (WORN CONDITION)	26.00 (DIFFERENTIAL WEAR NOT TO EXCEED 0.5mm SIDE TO SIDE)
WORKING PRESSURE	SEE DATA SHEET P14.329 (AVAILABLE FROM AP RACING TECHNICAL DEPT.)
HYDRAULIC FEED	M10 x 1.0
DRY WEIGHT (LESS PADS)	2.47 kg (ESTIMATED)
PAD FAMILY	CP3215
EFFECTIVE RADIUS (ON DIA. 330.00 DISC)	139.00
'P' DIMN.	60.36
OFFSET 'C' DIMN.	46.86
MTG. HOLE CENTRES 'D' DIMN.	152.00
PAD FRICTION MATERIAL MIN. THICKNESS	2.50
PAD RETENTION	LEDGES
TIGHTENING TORQUES	BLEED SCREW : 17Nm HYDRAULIC FEED : 25Nm RETAINER BOLT : 19Nm
CORROSION PROTECTION	FLUID RESISTANT PAINT FINISH - ALUMINIUM BODY. BOOT TYPE DIRT SEALS.

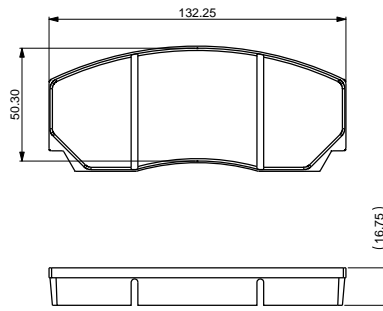


## CALIPER POSITIONING CHART

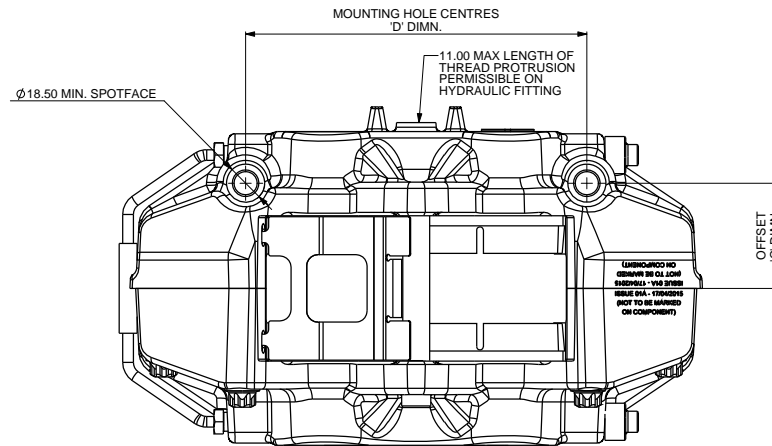
RHT	RIGHT HAND TRAILING (BEHIND AXLE)
LHT	LEFT HAND TRAILING (BEHIND AXLE)
RHL	RIGHT HAND LEADING (IN FRONT OF AXLE)
LHL	LEFT HAND LEADING (IN FRONT OF AXLE)

## PART NUMBERING CONVENTION

PART NUMBER	DESCRIPTION
CP9200-250	RHT - SIDE FEED - NO ANTI KNOCK BACK SPRING
CP9200-350	LHT - SIDE FEED - NO ANTI KNOCK BACK SPRING
CP9200-450	RHL - SIDE FEED - NO ANTI KNOCK BACK SPRING
CP9200-550	LHL - SIDE FEED - NO ANTI KNOCK BACK SPRING



CP3215 PAD FAMILY  
PAD AREA (MAX.) - 76.30 CM<sup>2</sup>



Issue No.	Alterations			Zone	Initials
	Date & No.	Particulars	#		
1	28/11/15 R4145	FIRST ISSUE			AT
2	04/05/17 R4145, 18	RETAINER BOLT TIGHTENING TORQUE ADDED TO TABLE	4K		AT

SCALE 1:1	SHEET 1 OF 2
DRAWN A.THORPE	
APPROVED	
DERIVED FROM	
TITLE 4-PISTON CALIPER INSTALL'N DRAWING 330 MAX x 28 DISC	
DRG NO. CP9200-1CD	

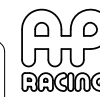
# B1 INSTALLATION DRAWING

IF THIS DOCUMENT IS PRINTED IN HARDCOPY, IT IS FOR INFORMATION USE ONLY AND THEREFORE IS NOT SUBJECT TO UPDATING CONTROLS. ALWAYS REFER TO SOLIDWORKS VIEWER FOR LATEST ISSUE



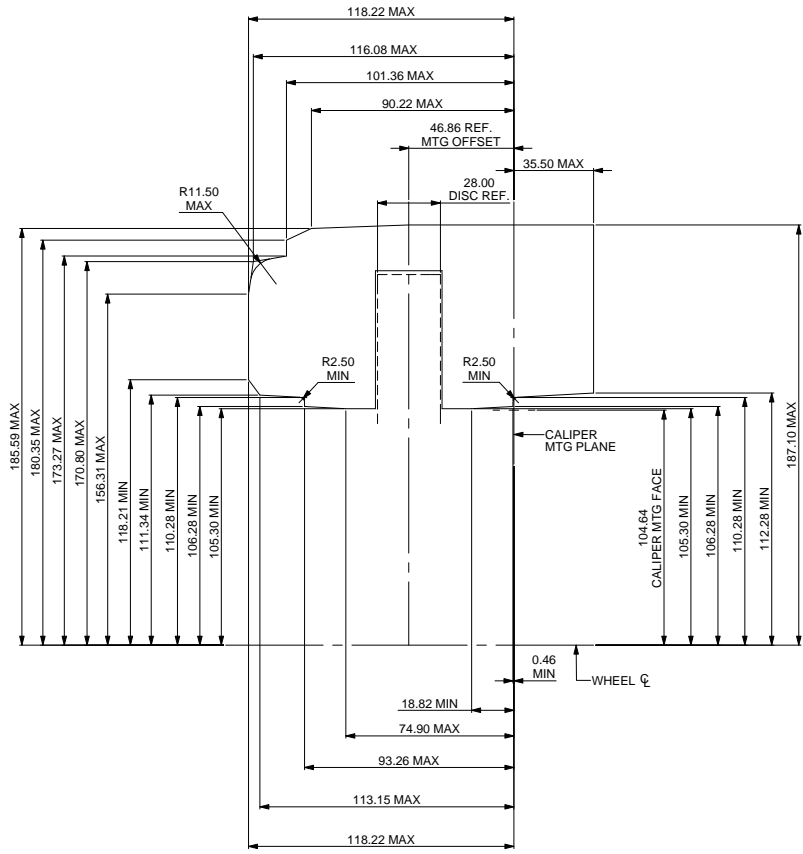
FIRST ANGLE PROJECTION

THIS DRAWING IS CONFIDENTIAL AND IS SUPPLIED ON THE EXPRESS CONDITION THAT IT SHALL NOT BE LOANED OR COPIED OR DISCLOSED TO ANY OTHER PERSON OR USED FOR ANY OTHER PURPOSE WITHOUT THE WRITTEN CONSENT OF AP RACING LTD.



AP Racing  
Wheler Road  
Coventry  
CV3 4LB  
Tel: +44 024 7663 9595  
Fax: +44 024 7663 9559  
e-mail: sales@apracings.co.uk  
Web site: HTTP://www.apracings.com

Issue No.	Alterations		
	Date & No.	Particulars	Zone / Initials
-	-	SEE SHEET 1 FOR ISSUE INFORMATION.	-



CALIPER INSTALLED PROFILE ON 330 x 28.00 DISC

SCALE 1:1	SHEET 2 OF 2
DRAWN A.THORPE	
APPROVED	
DERIVED FROM	
TITLE 4-PISTON CALIPER INSTALL'N DRAWING 330 MAX x 28 DISC	
DRG NO. CP9200-1CD	