

B1 ASSEMBLY DRAWING

IF THIS DOCUMENT IS PRINTED IN HARDCOPY, IT IS FOR INFORMATION USE ONLY AND THEREFORE IS NOT SUBJECT TO UPDATING CONTROLS. ALWAYS REFER TO SOLIDWORKS VIEWER FOR LATEST ISSUE

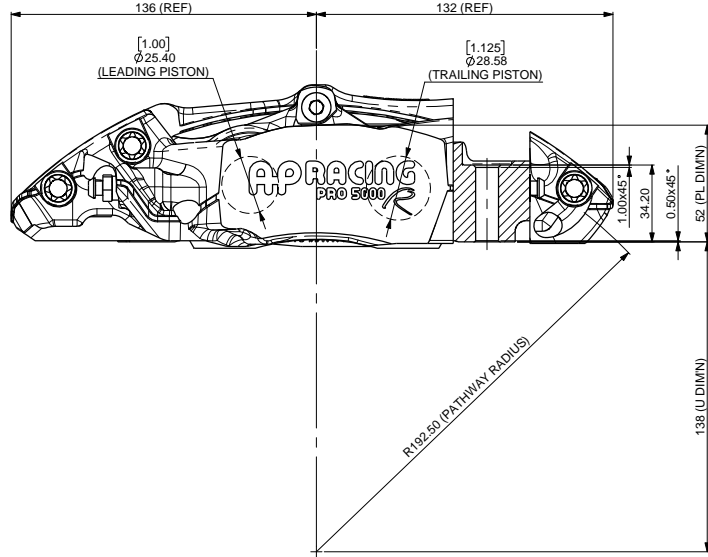
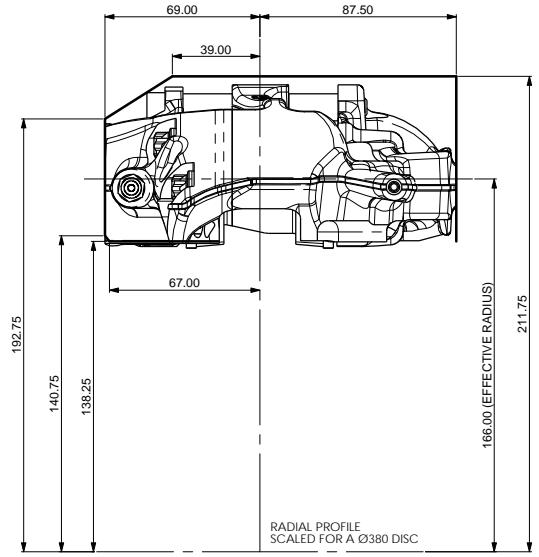


FIRST ANGLE PROJECTION

THIS DRAWING IS CONFIDENTIAL AND IS SUPPLIED ON THE EXPRESS CONDITION THAT IT SHALL NOT BE LOANED OR COPIED OR DISCLOSED TO ANY OTHER PERSON OR USED FOR ANY OTHER PURPOSE WITHOUT THE WRITTEN CONSENT OF AP RACING LTD.



AP Racing
Wheler Road
Coventry
CV3 4LB
Tel: +44 024 7663 9595
Fax: +44 024 7663 9559
e-mail: sales@apracing.co.uk
Web site: HTTP://www.apracing.com



GENERAL DESCRIPTION
THIS 4 PISTON DIFFERENTIAL BORE CALIPER TO SUIT UP TO Ø380 IRON DISC WITH A THICKNESS OF 28-32mm.

APPLICATION
GENERAL USE CALIPER.

TECHNICAL INFORMATION
TOTAL PISTON AREA: 22.8cm²
BODY MATERIAL: ALUMINIUM ALLOY
PISTON MATERIAL: STAINLESS STEEL

ASSEMBLY WEIGHT (LESS PADS): 2.21Kg
MINIMUM DISC & PAD STACK: 40MM

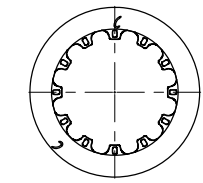
INSTALLATION INFORMATION
DISC & CALIPER MOUNTING TOLERANCES TO BE SUCH THAT THE DISC IS CENTRAL TO THE CALIPER TO WITHIN ±0.5mm.
DISC DIAMETRAL CLEARANCE SHOULD BE 2.5mm NOMINAL FROM DISC O/D TO PATHWAY.

KEY TO DIMENSIONS
‘PL’ DIMN : TOP OF PAD MATERIAL TO MOUNTING FACE.
‘U’ DIMN : WHEEL CENTRE LINE TO CALIPER MOUNTING FACE = (DISC Ø/2) - PL DIMN

AP RACING TECHNICAL SECTION WILL BE PLEASED TO ADVISE ON THE MOST SUITABLE EQUIPMENT FOR ANY PARTICULAR APPLICATION.

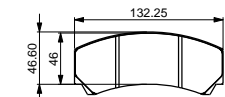
CALIPER PART NUMBERS
CP9451-2S4L - RIGHT HAND
CP9451-3S4L - LEFT HAND

RECOMMENDED DISC AND PAD OPTIONS AVAILABLE
D46 DISC AND PAD COMBINATION



CP5772-1010/1GA Ø378x32 12F 72V 6.26Kg
CP5914-116/7G12 Ø378x28 12B 48V 6.20Kg
CP5914-110/1G8 Ø378x28 12F 48V 6.28Kg

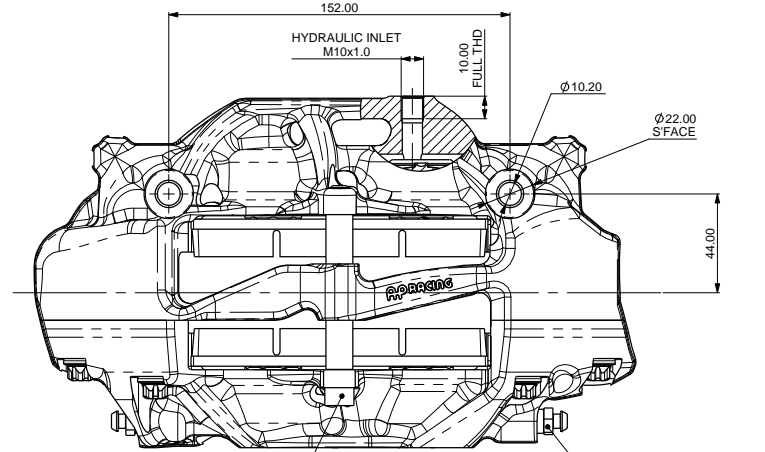
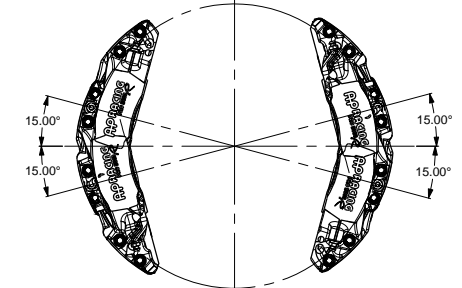
SEE CUSTOMER DRAWING FOR FULL DETAIL



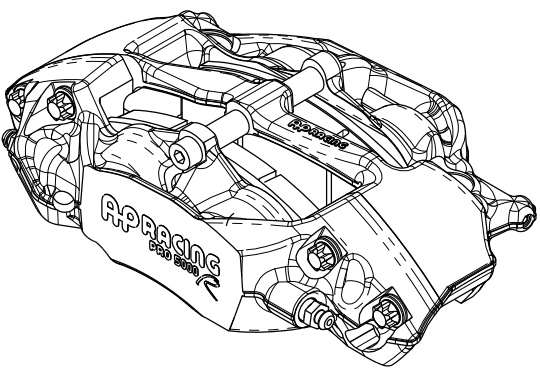
CP3215D46 PAD FAMILY
PAD THICKNESS - 16.75mm
PAD AREA - 50.89cm²
PAD VOLUME - 85.24cm³

OPTIMUM BLEED POSITIONING

FOR OPTIMUM BLEED, THE CALIPER SHOULD BE INSTALLED IN THE LEADING OR TRAILING POSITION BETWEEN THE ANGLES SHOWN



PAD RETAINING BOLT SHOULD BE TIGHTENED TO A TORQUE OF 19Nm (14 Lbs ft)



Issue No	Alterations		
	Date & No.	Particulars	Zone / Initials
1	09/06/16 87478	FIRST ISSUE	# NJS
2	02/08/17 87726_01	CHANGED TORQUE SPECIFICATION FOR PAD RETAINER BOLT	C7 SOW

SCALE 1:1	SHEET 1 OF 2
DRAWN N STEVENS	
APPROVED	
DERIVED FROM	
TITLE 4 POT PRO5000 R CALIPER INSTALLATION	
DRG NO. CP9451-1CD	