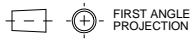


A0 INSTALLATION DRAWING

IF THIS DOCUMENT IS PRINTED IN HARD COPY, IT IS FOR INFORMATION USE ONLY AND THEREFORE IS NOT SUBJECT TO UPDATING CONTROLS. ALWAYS REFER TO SOLIDWORKS VIEWER FOR LATEST ISSUE



THIS DRAWING IS CONFIDENTIAL AND IS SUPPLIED ON THE EXPRESS CONDITION THAT IT SHALL NOT BE LOANED OR COPIED OR DISCLOSED TO ANY OTHER PERSON OR USED FOR ANY OTHER PURPOSE WITHOUT THE WRITTEN CONSENT OF AP RACING LTD.

AP RACING
 AP Racing
 Wheeler Road
 Coventry
 CV3 4LB
 Tel: +44 (0)24 7663 9595
 Fax: +44 (0)24 7663 9559
 e-mail: sales@apracings.co.uk
 © AP Racing Ltd. 2016
 Web site: HTTP://www.apracings.com

Alterations		Date & No.	Particulars	#	AT
1	25/10/16	R4188	FIRST ISSUE	#	AT
2	05/01/17	R4188	RADIAL PROFILE REFINED (SHEET 2)	#	AT
3	18/05/17	R4188	RETAINER TORQUE UPDATED WAS 27.1Nm, NOW 19Nm	4L	AT
4	17/07/17	R4188	PART NUMBERING CONVENTION TABLE UPDATED WITH CORRECT PART NO.	1H	AT
5	29/08/18	R4188_33	ADDED VALUE FOR DRY WEIGHT (LESS PADS) - 4.22kg	3P	SPB

CALIPER SPECIFICATION

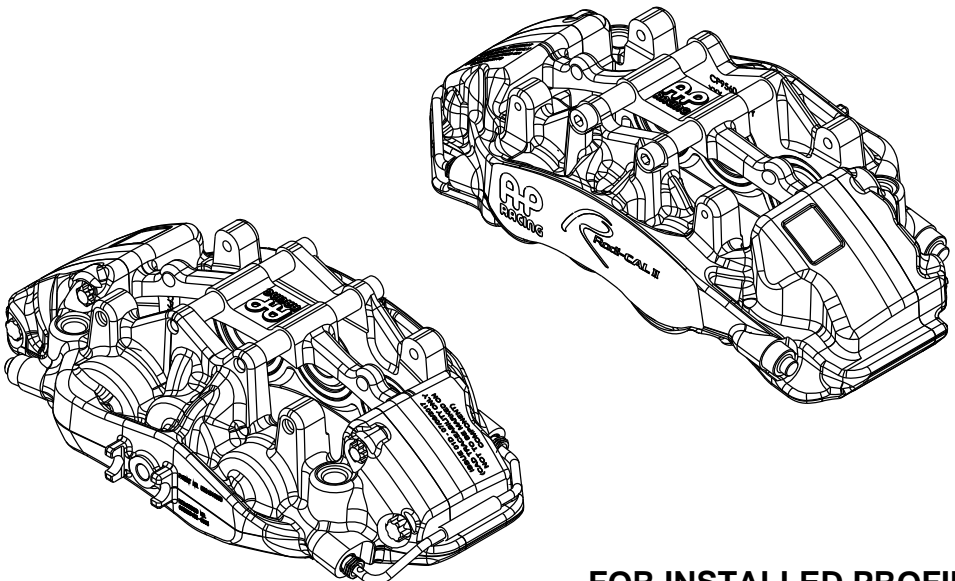
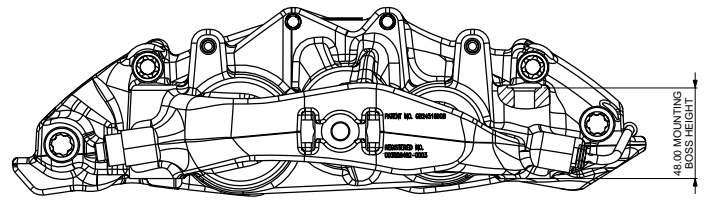
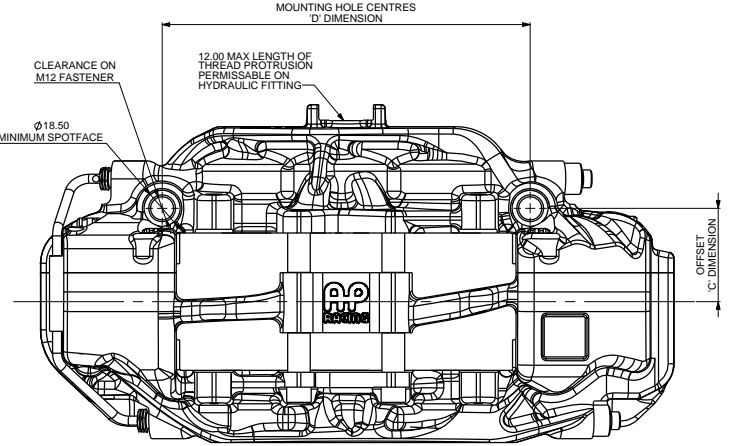
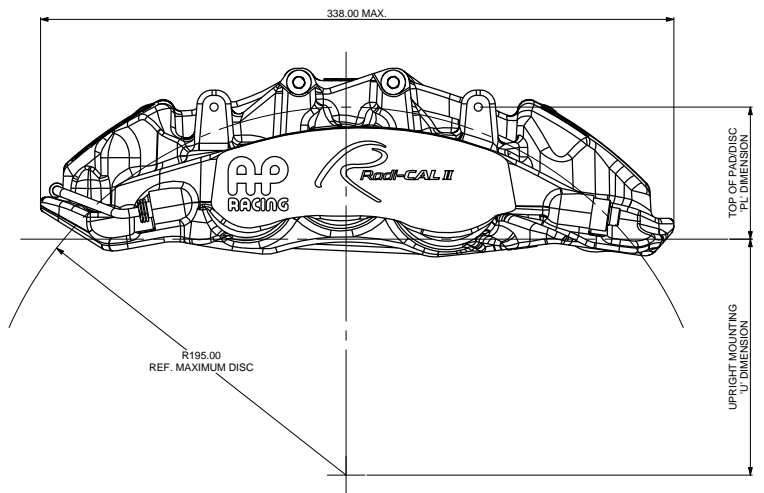
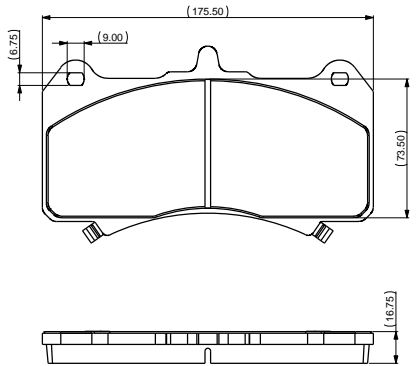
BORE SIZE	EHK (31.80 x 36.00 x 41.30) (1.25" x 36.00 x 1.625")
PISTON AREA	31.5cm ²
DISC DIAMETER MAX	390.00
DISC THICKNESS MAX	36.00
DISC THICKNESS MIN (WORN CONDITION)	34.00 (DIFFERENTIAL WEAR NOT TO EXCEED 0.50mm SIDE TO SIDE)
WORKING PRESSURES	SEE DATA SHEET P14.350 (AVAILABLE FROM AP RACING TECHNICAL DEPT)
HYDRAULIC FEED	M10 x 1.0
DRY WEIGHT (LESS PADS)	4.22kg
PAD FAMILY	CP7555
EFFECTIVE RADIUS (ON DIAMETER 390.00 DISC)	158.50
PL' DIMENSION	70.00
OFFSET 'C' DIMENSION	49.50
MOUNTING HOLE CENTRES 'D' DIMENSION	195.00
PAD FRICTION MATERIAL	2 x FRICTION RETAINED PINS
MIN THICKNESS	2.50
PAD RETENTION	BLEED SCREW: 17Nm HYDRAULIC FEED: 25Nm RETAINER BOLTS: 19Nm
TIGHTENING TORQUES	FLUID RESISTANT PAINT FINISH ALUMINIUM BODY BOOT TYPE DIRT SEALS
CORROSION PROTECTION	

CALIPER POSITIONING

RHT	RIGHT HAND TRAILING (BEHIND AXLE)
LHT	LEFT HAND TRAILING (BEHIND AXLE)
RHL	RIGHT HAND LEADING (IN FRONT OF AXLE)
LHL	LEFT HAND LEADING (IN FRONT OF AXLE)

PART NUMBERING CONVENTION

PART NUMBER	DESCRIPTION
CP9560-2S0	RHT - SIDE FEED - NO ANTI KNOCK BACK SPRINGS
CP9560-3S0	LHT - SIDE FEED - NO ANTI KNOCK BACK SPRINGS
CP9560-4S0	RHL - SIDE FEED - NO ANTI KNOCK BACK SPRINGS
CP9560-5S0	LHL - SIDE FEED - NO ANTI KNOCK BACK SPRINGS



FOR INSTALLED PROFILES SEE SHEET 2

SCALE 1:1	SHEET 1 OF 2
DRAWN ALTHORPE	
APPROVED	
DERIVED FROM	
TITLE	
Ø 390 x 36 (EHK BORES)	
DRG NO.	cp9560-1cd

A0 INSTALLATION DRAWING

IF THIS DOCUMENT IS PRINTED IN HARDCOPY, IT IS FOR INFORMATION USE ONLY AND THEREFORE IS NOT SUBJECT TO UPDATING CONTROLS. ALWAYS REFER TO SOLIDWORKS VIEWER FOR LATEST ISSUE



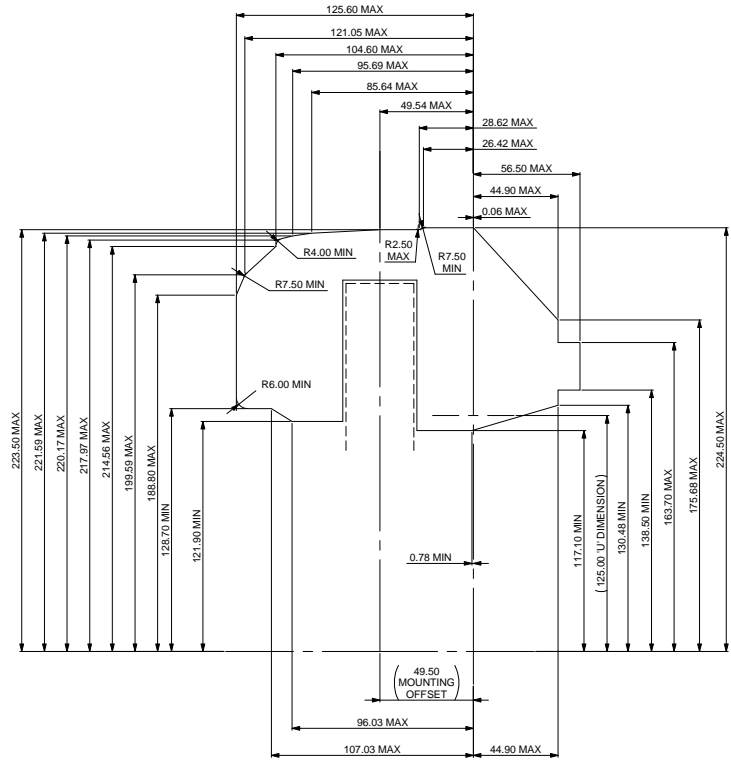
FIRST ANGLE PROJECTION

THIS DRAWING IS CONFIDENTIAL AND IS SUPPLIED ON THE EXPRESS CONDITION THAT IT SHALL NOT BE LOANED OR COPIED OR DISCLOSED TO ANY OTHER PERSON OR USED FOR ANY OTHER PURPOSE WITHOUT THE WRITTEN CONSENT OF AP RACING LTD.



AP Racing
Wheler Road
Coventry
CV3 4LB
Tel: +44 (0)24 7663 9595
Fax: +44 (0)24 7663 9559
e-mail: sales@apracings.co.uk
© AP Racing Ltd. 2016
Web site: HTTP://www.apracings.com

Alterations		Zone	Index
Date & No.	Particulars		
-	SEE SHEET 1 FOR ISSUE INFORMATION.	-	-



CALIPER INSTALLED PROFILE ON Ø390.0 x 36.00 DISC

SCALE 1:1	SHEET 2 OF 2
DRAWN A.THORPE	
APPROVED	
DERIVED FROM	
TITLE	
Ø390 x 36 (EHK BORES)	
DRG NO.	cp9560-1cd