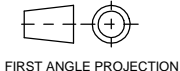


PUBLICATION

P12.325

ISSUE 1

If this document is printed in hardcopy, it is for information use only and therefore is not subject to updating controls. Always refer to viewer for latest issue.



FIRST ANGLE PROJECTION

THIS DRAWING IS CONFIDENTIAL AND IS SUPPLIED ON THE EXPRESS CONDITION THAT IT SHALL NOT BE LOANED OR COPIED OR DISCLOSED TO ANY OTHER PERSON OR USED FOR ANY OTHER PURPOSE WITHOUT THE WRITTEN CONSENT OF AP RACING LTD.



AP Racing
Wheler Road
Coventry
CV3 4LB

Tel: +44 024 7663 9595
Fax: +44 024 7663 9559
e-mail: sales@apracings.co.uk
Web site: HTTP://www.apracings.com

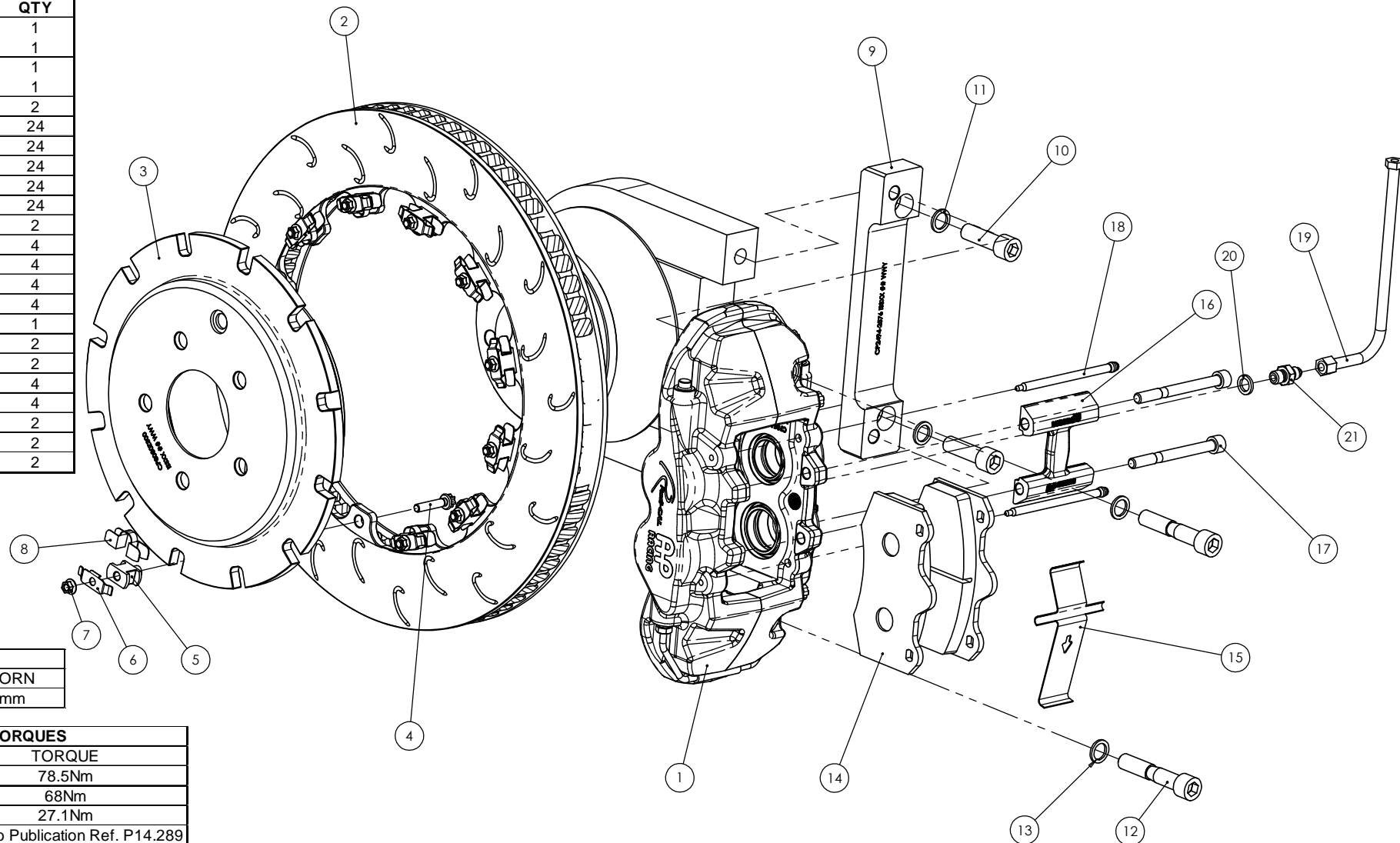
© AP Racing Ltd. 2005

NISSAN GTR35 2012 ON REAR KIT NUMBER CP8540Z1000		
REF	DESCRIPTION	QTY
1	Caliper Right Hand	1
	Caliper Left Hand	1
2	Disc Right Hand	1
	Disc Left Hand	1
3	Mounting Bell	2
4	Disc Bobbin Bolt	24
5	Disc Bobbin	24
6	Disc Bobbin Spring	24
7	Disc Bobbin Nut	24
8	Disc Bobbin Clip	24
9	Caliper Mtg Bracket	2
10	Bracket Mtg Bolt	4
11	Bracket Washer	4
12	Caliper Mtg Bolt	4
13	Caliper Washer	4
14	Pad Set (4)	1
15	Anti Rattle Clip	2
16	H Piece	2
17	H Piece Retainer Bolt	4
18	Pad Pin	4
19	Hose	2
20	Gasket	2
21	Fitting	2

BRAKE DISC WEAR	
NEW	MIN WORN
32.00mm	30.00mm

TIGHTENING TORQUES	
PART REF #	TORQUE
Bolt Ref 10	78.5Nm
Bolt Ref 12	68Nm
Bolt Ref 17	27.1Nm
Bolt/Nut Ref 4/7	Refer to Publication Ref. P14.289
Fitting Ref 21	25Nm
Caliper Bleed Screw	17Nm

COMMENTS
Ensure splash guard does not foul on disc face, bend/clip as necessary.



THIS IS A PICTORIAL VIEW FOR REFERENCE ONLY. SOME PARTS MAY VARY FROM THOSE SUPPLIED. AP RACING RESERVE THE RIGHT TO CHANGE COMPONENTS WITHOUT PRIOR NOTICE.

PLEASE RETAIN THIS SHEET FOR FUTURE REFERENCE

DRAWN BY: OLIVER MOORE