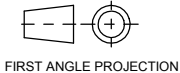


PUBLICATION P12.243

ISSUE: 2

If this document is printed in hardcopy, it is for information use only and therefore is not subject to updating controls. Always refer to viewer for latest issue.



THIS DRAWING IS CONFIDENTIAL AND IS SUPPLIED ON THE EXPRESS CONDITION THAT IT SHALL NOT BE LOANED OR COPIED OR DISCLOSED TO ANY OTHER PERSON OR USED FOR ANY OTHER PURPOSE WITHOUT THE WRITTEN CONSENT OF AP RACING LTD.



AP Racing
Wheler Road
Coventry
CV3 4LB

Tel: +44 024 7663 9595
Fax: +44 024 7663 9599

e-mail: sales@apracings.co.uk
Web site: HTTP://www.apracings.com

© AP Racing Ltd. 2005

BMW E92 M3 REAR KIT NUMBER CP6602-1001

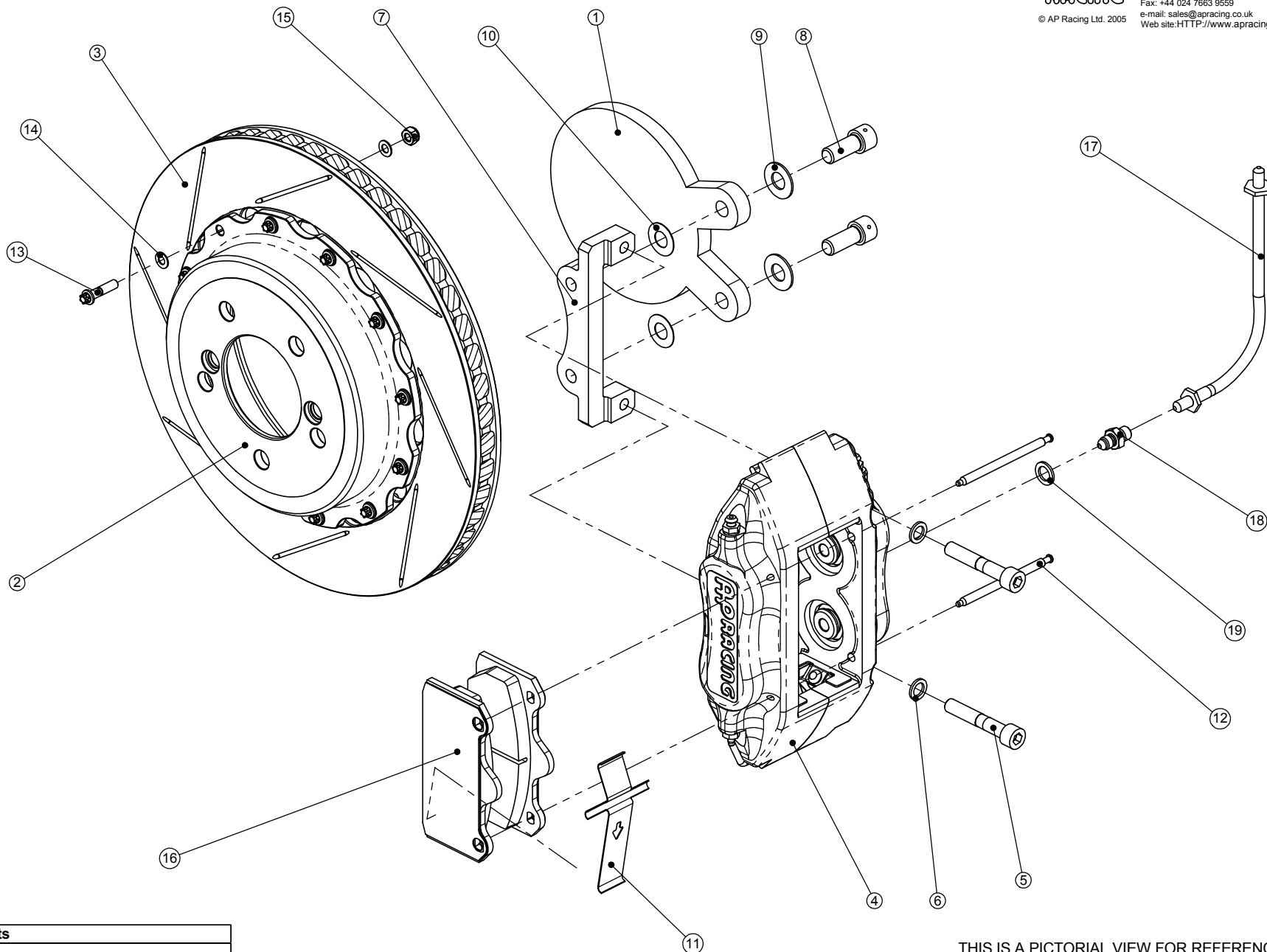
Ref	DESCRIPTION	QTY
1	BMW REAR UPRIGHT	-
2	CAST IRON MOUNTING BELL	2
3	VENTED DISC RIGHT HAND	1
3	VENTED DISC LEFT HAND	1
4	CALIPER RIGHT HAND	1
4	CALIPER LEFT HAND	1
5	M10 x 60 CALIPET Mtg BOLT	4
6	Ø16 CALIPER WASHER	4
7	MOUNTING BRACKET	2
8	M12 x 30 BRACKET Mtg BOLT	4
9	Ø28 BRACKET WASHER	4
10	0.5mm BRACKET SHIM	12
11	ANIT-RATTLE CLIP	2
12	PAD RETAINING PIN	4
13	0.25UNF DISC Mtg BOLT	24
14	12.5 DISC WASHER	48
15	0.25 DISC Mtg NUT	24
16	CALIPER PAD SET	4
17	BRAKE HOSE	2
18	M10 x 3/8" UNF ADAPTER	2
19	GASKET	2

Tightening Torques	
Part Ref #	Torque
Bolt Ref 5	58NM
Bolt Ref 8	68NM
Bolt/Nut Ref 13/15	14NM
Caliper Bleed Screw	17NM

BRAKE DISC WEAR	
NEW	MIN WORN
26.00mm	24.00mm

Comments

Check caliper is central over disc, use 0.5mm shims (Part Ref 10) to adjust bracket if required
Illustration is of right hand assembly



PLEASE RETAIN THIS SHEET FOR FUTURE REFERENCE

THIS IS A PICTORIAL VIEW FOR REFERENCE ONLY. SOME PARTS MAY VARY FROM THOSE SUPPLIED. AP RACING RESERVE THE RIGHT TO CHANGE COMPONENTS WITHOUT PRIOR NOTICE.
Drawn By: Lee Stretch