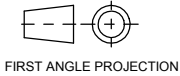


PUBLICATION P12.246

ISSUE: 1

If this document is printed in hardcopy, it is for information use only and therefore is not subject to updating controls. Always refer to viewer for latest issue.



FIRST ANGLE PROJECTION

THIS DRAWING IS CONFIDENTIAL AND IS SUPPLIED ON THE EXPRESS CONDITION THAT IT SHALL NOT BE LOANED OR COPIED OR DISCLOSED TO ANY OTHER PERSON OR USED FOR ANY OTHER PURPOSE WITHOUT THE WRITTEN CONSENT OF AP RACING LTD.



AP Racing
Wheler Road
Coventry
CV3 4LB

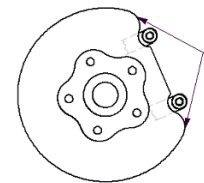
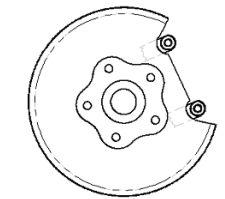
Tel: +44 024 7663 9595
Fax: +44 024 7663 9599
e-mail: sales@apracings.co.uk
Web site: HTTP://www.apracings.com

© AP Racing Ltd. 2005

MISUBISHI EVOLUTION X REAR KIT NUMBER CP7615-1003		
Ref	DESCRIPTION	QTY
1	MITSUBISHI REAR UPRIGHT	1
2	BREMBO REAR BRAKE DISC	1
3		1
4	MOUNTING BRACKET	2
5	M12 x 1.75 CAP HEAD	4
6	∅20 BRACKET WASHER	2
7	0.5mm BRACKET SHIM	12
8	CALIPER RIGHT HAND CALIPER LEFT HAND	4
9	∅16 CALIPER WASHER	4
10	PAD RETAINING PINS	4
11	CALIPER PAD SET (4)	1
12	ANTI-RATTLE CLIP	2
15		2

Tightening Torques	
Part Ref #	Torque
Bolt Ref 5	68NM
Bolt Ref 8	58NM
Banjo Bolt Feed	22NM
Caliper Bleed Screw	17NM

SPLASH GUARD BEFORE MODIFICATION



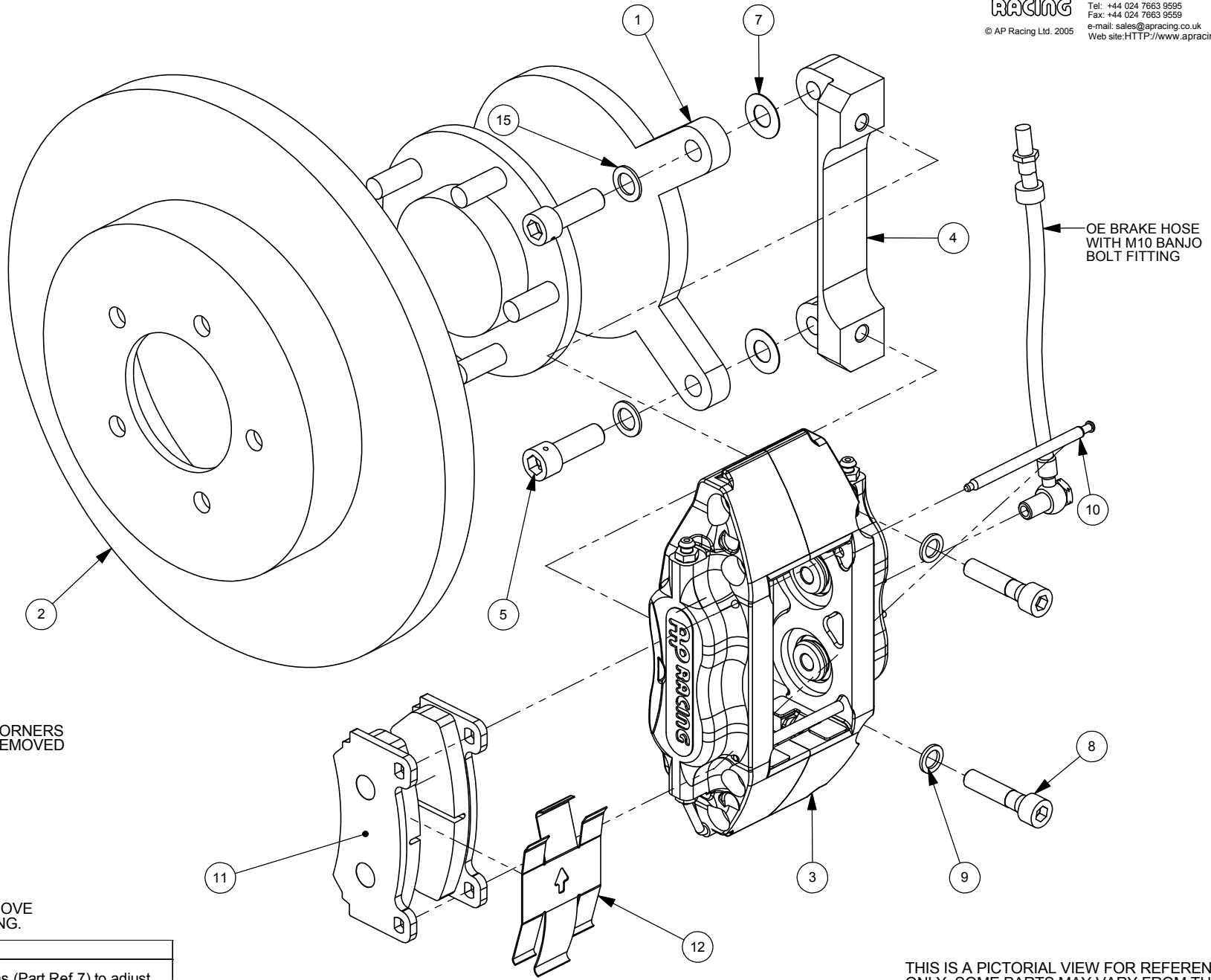
CORNERS REMOVED

SPLASH GUARD AFTER MODIFICATION

MODIFY SPLASH GUARD BY REMOVING THE CORNERS AS SHOWN IN THE DIAGRAM ABOVE TO ALLOW CLEARANCE FOR CALIPER MOUNTING.

Comments

Check caliper is central over disc, use 0.5mm shims (Part Ref 7) to adjust bracket if required
Illustration is of left hand assembly



PLEASE RETAIN THIS SHEET FOR FUTURE REFERENCE

THIS IS A PICTORIAL VIEW FOR REFERENCE ONLY. SOME PARTS MAY VARY FROM THOSE SUPPLIED. AP RACING RESERVE THE RIGHT TO CHANGE COMPONENTS WITHOUT PRIOR NOTICE.
Drawn By: Lee Stretch