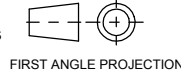


PUBLICATION

P12.249

ISSUE 2

If this document is printed in hardcopy, it is for information use only and therefore is not subject to updating controls. Always refer to viewer for latest issue.



THIS DRAWING IS CONFIDENTIAL AND IS SUPPLIED ON THE EXPRESS CONDITION THAT IT SHALL NOT BE LOANED OR COPIED OR DISCLOSED TO ANY OTHER PERSON OR USED FOR ANY OTHER PURPOSE WITHOUT THE WRITTEN CONSENT OF AP RACING LTD.



AP Racing
Wheler Road
Coventry
CV3 4LB

Tel: +44 024 7663 9595
Fax: +44 024 7663 9599
e-mail: sales@apracings.co.uk
Web site: HTTP://www.apracings.com

© AP Racing Ltd. 2005

SUBARU IMPREZA REAR 2008 ON KIT NUMBER CP7615-1004

REF.	DESCRIPTION	QTY.
1	SUBARU IMPREZA REAR UPRIGHT 2008 ONWARDS	-
2	VENTED DISC RIGHT HAND VENTED DISC LEFT HAND	1 1
3	CALIPER LEFT HAND CALIPER RIGHT HAND	1 1
4	M10 x 37 BRACKET MOUNTING BOLT	4
5	M10 x 45 CALIPER MOUNTING BOLT	4
6	Ø 20 BRACKET MOUNTING WASHER	4
7	Ø 20 CALIPER MOUNTING WASHER	4
8	MOUNTING BRACKET	2
9	CALIPER PAD SET	1
10	ANTI-RATTLE CLIP	2
11	PAD RETAINER PIN	4
12	0.50mm SHIM	12

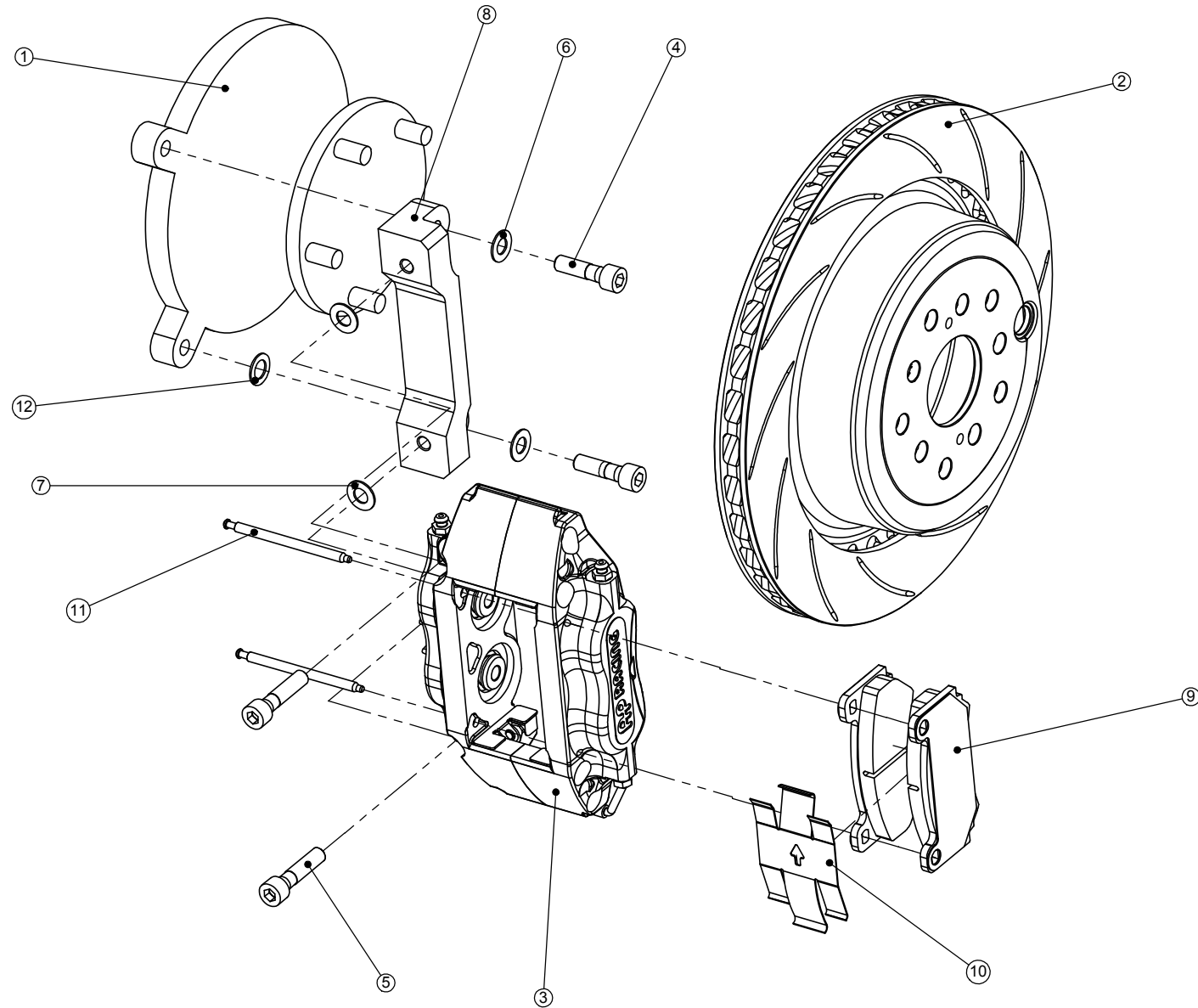
IF NECESSARY REMOVE CASTING FLASH FROM OUTER RADI OF MOUNTING LUG

Tightening Torques	
Part Ref #	Torque
Bolt Ref 4	58Nm
Bolt Ref 5	58Nm
Bleed Screw	17Nm

BRAKE DISC WEAR	
NEW	MIN WORN
24.00mm	22.00mm

Comments

Check caliper is central over disc, use 0.5mm shims (Part Ref 12) to adjust bracket if required
Illustration is of right hand assembly



PLEASE RETAIN THIS SHEET FOR FUTURE REFERENCE

THIS IS A PICTORIAL VIEW FOR REFERENCE ONLY. SOME PARTS MAY VARY FROM THOSE SUPPLIED. AP RACING RESERVE THE RIGHT TO CHANGE COMPONENTS WITHOUT PRIOR NOTICE.

Drawn By: Oliver Moore