

PUBLICATION P12.250

DRAWN : Steve Thomas

IF THIS DOCUMENT IS PRINTED IN HARDCOPY,
IT IS FOR INFORMATION USE ONLY AND THEREFORE
IS NOT SUBJECT TO UPDATING CONTROLS. ALWAYS
REFER TO SOLIDWORKS VIEWER FOR LATEST ISSUE



THIS DRAWING IS CONFIDENTIAL AND IS SUPPLIED ON THE EXPRESS CONDITION THAT
IT SHALL NOT BE LOANED OR COPIED OR DISCLOSED TO ANY OTHER PERSON OR USED
FOR ANY OTHER PURPOSE WITHOUT THE WRITTEN CONSENT OF AP RACING LTD.



AP Racing
Wheler Road
Coventry
CV3 4LB

Tel: +44 (0) 24 7663 9595
Fax: +44 (0) 24 7663 9559
e-mail: engineering@apracings.co.uk
Web site: <http://www.apracings.com>

© AP Racing Ltd. 2005

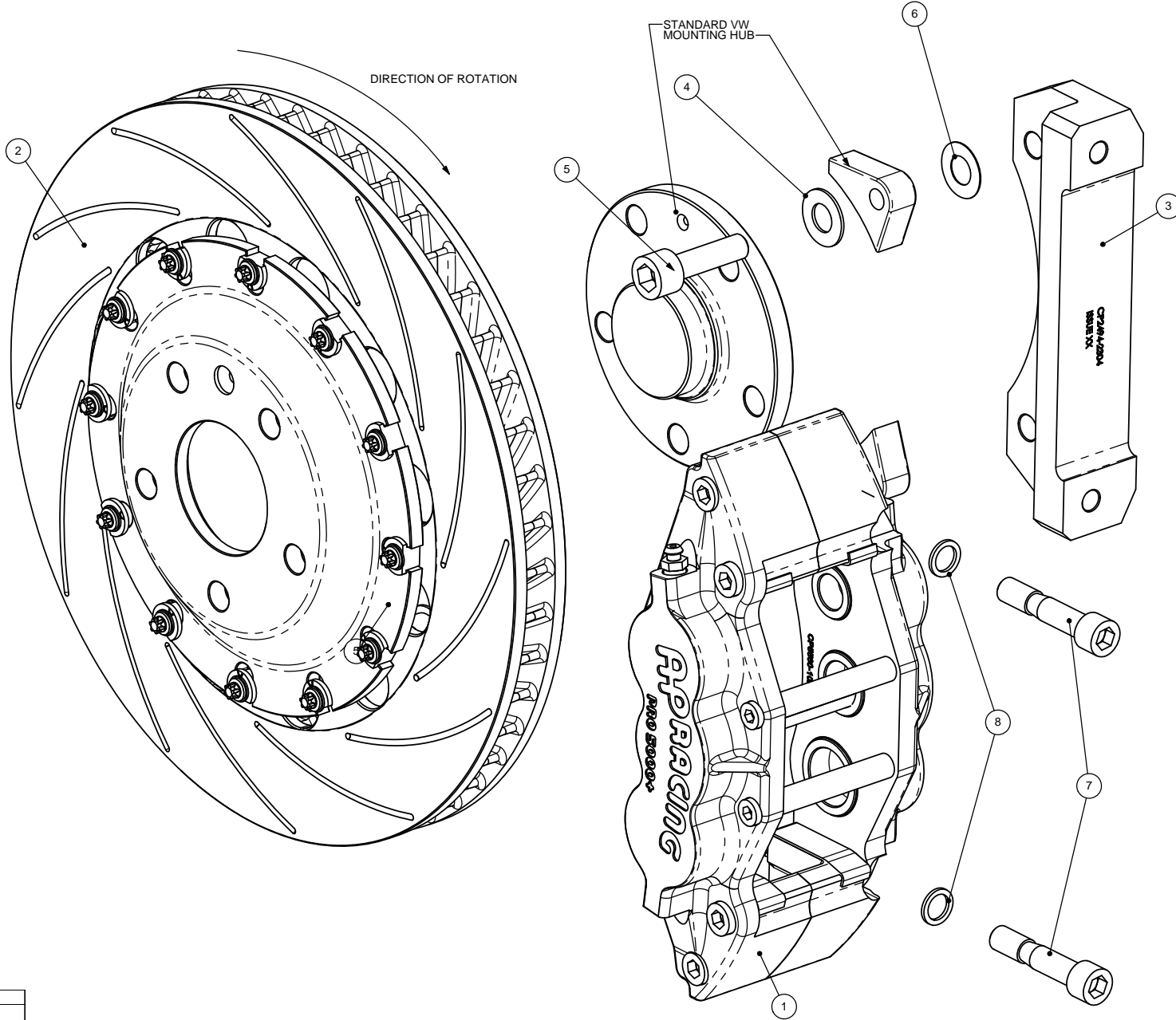
VW SCIROCCO FRONT KIT NUMBER CP5060-1001NP		
Ref	Description	QTY
1	Caliper Right Hand	1
	Caliper Left Hand	1
2	Disc & Bell Assembly Right Hand	1
	Disc & Bell Assembly Left Hand	1
3	Mounting Bracket	2
4	Washer	4
5	Bracket Mtg Bolt	4
6	0.5mm Washer/Shim	8
7	Caliper Mtg Bolt	4
8	Washer	4

Tightening Torques	
Part Ref #	Torque
Bolt Ref 5	78NM
Bolt Ref 7	68NM
Caliper Bleed Screw	17NM
Disc & Bell Bolt	14NM

BRAKE DISC WEAR	
NEW	MIN WORN
32.00mm	31.00mm

Comments

Check caliper is central over disc, Use 0.5mm shims (Part ref 6) to adjust if required.



PLEASE RETAIN THIS SHEET FOR FUTURE REFERENCE