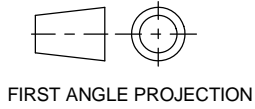


P12.263

Issue: 5

If this document is printed in hardcopy, it is for information use only and therefore is not subject to updating controls. Always refer to viewer for latest issue.



THIS DRAWING IS CONFIDENTIAL AND IS SUPPLIED ON THE EXPRESS CONDITION THAT IT SHALL NOT BE LOANED OR COPIED OR DISCLOSED TO ANY OTHER PERSON OR USED FOR ANY OTHER PURPOSE WITHOUT THE WRITTEN CONSENT OF AP RACING LTD.



AP Racing
Wheler Road
Coventry
CV3 4LB

Tel: +44 024 7663 9595
Fax: +44 024 7663 9559
e-mail: sales@ap racing.co.uk
Web site: HTTP://www.ap racing.com

© AP Racing Ltd. 2005

FOR DISC REPLACEMENT REQUIREMENTS, PLEASE ORDER KIT # **CP6895-03M.CG12** *

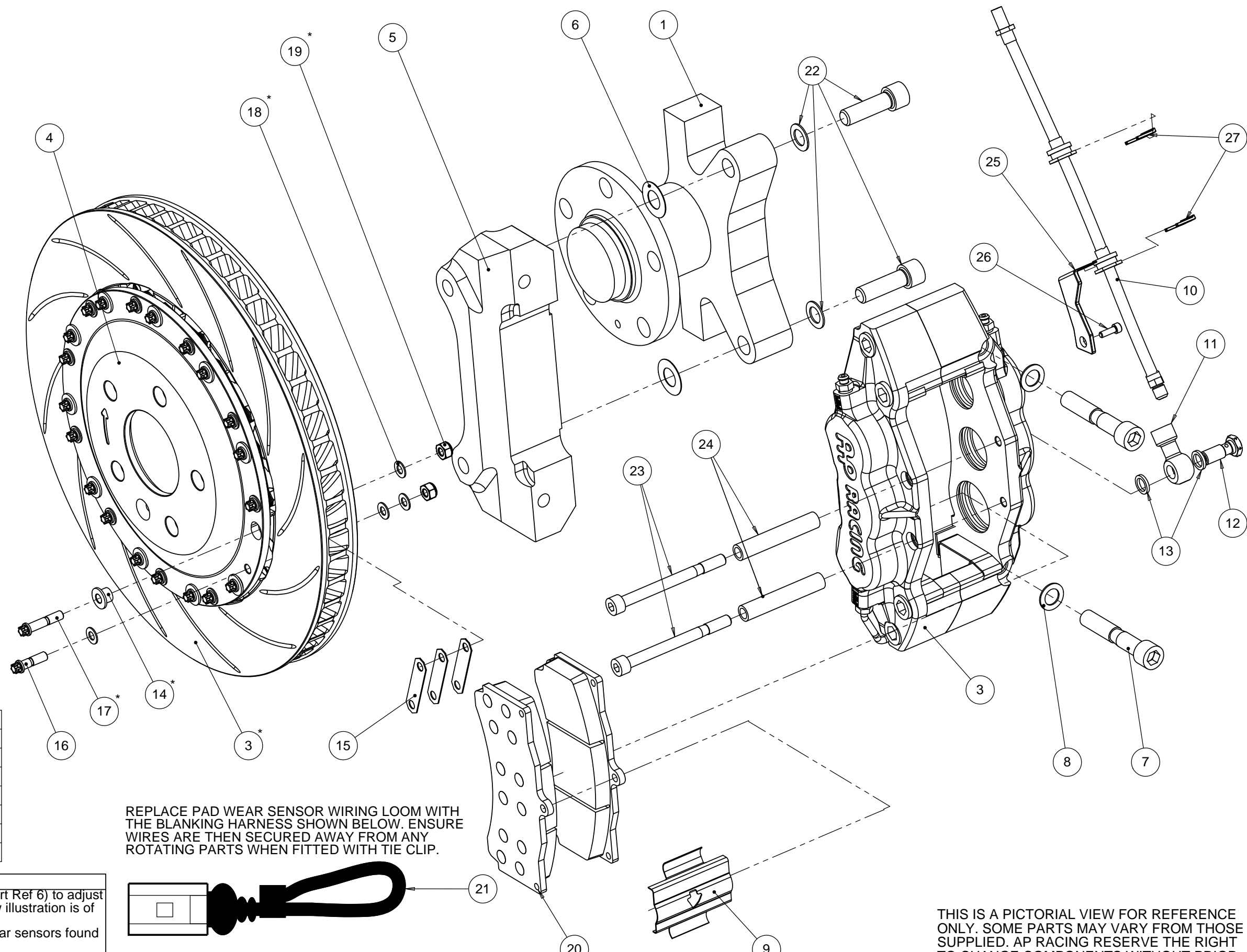
AUDI S3 (06+) FRONT KIT NUMBER CP5575M1011

Ref	DESCRIPTION	QTY
1	AUDI FRONT UPRIGHT	-
2	CALIPER RIGHT HAND CALIPER LEFT HAND	1 1
3	VENTED DISC RIGHT HAND VENTED DISC LEFT HAND	1 1
4	MOUNTING BELL	2
5	MOUNTING BRACKET	2
6	0.5mm SHIM	12
7	M12 x 70 CALIPER Mtg BOLT	4
8	Ø18 CALIPER WASHER	4
9	ANTI-RATTLE CLIP	2
10	BRAIDED HOSE KIT	2
11	BANJO (PART OF HOSE KIT)	2
12	BANJO BOLT (PART OF HOSE KIT)	2
13	GASKET (PART OF HOSE KIT)	4
14	TOP HAT SLEEVE	22
15	STEEL STRAP	66
16	0.25UNF DISC MOUNTING BOLT	22
17	0.25UNF STRAP MOUNTING BOLT	22
18	Ø12.5 DISC WASHER	88
19	0.25UNF NUT	44
20	PAD SET (4)	2
21	BLANKING HARNESS	2
22	RETAIN OE BOLTS & WASHERS	4
23	PAD RETAINER BOLTS	4
24	PAD RETAINER SLEEVES	4
25	RETAIN OE BRAKE HOSE BRAKET	2
26	RETAIN OE M8 BOLT	2
27	RETAIN OE BRAKE HOSE CLIPS	4

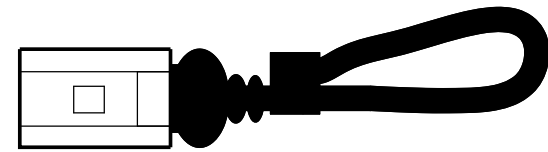
BRAKE DISK WEAR	
NEW	MIN WORN
32.00mm	30.5mm

Tightening Torques	
Part Ref #	Torque
Bolt - Ref 7	68NM
Bolt/Nut - Ref 16/17/19	14NM
Banjo Bolt - Ref 12	25NM
Pad Retaining Bolts - Ref 23	19NM
Caliper Bleed Screws	17NM
OE Bolts - Ref 22	To Manufactures Spec

COMMENTS
Check caliper is central over disc, use 0.5mm shims (Part Ref 6) to adjust bracket if required, Note: disc assembly direction arrow illustration is of right hand assembly.
This brake kit will not allow the use of the brake pad wear sensors found on OE pads.



REPLACE PAD WEAR SENSOR WIRING LOOM WITH THE BLANKING HARNESS SHOWN BELOW. ENSURE WIRES ARE THEN SECURED AWAY FROM ANY ROTATING PARTS WHEN FITTED WITH THE TIE CLIP.



THIS IS A PICTORIAL VIEW FOR REFERENCE ONLY. SOME PARTS MAY VARY FROM THOSE SUPPLIED. AP RACING RESERVE THE RIGHT TO CHANGE COMPONENTS WITHOUT PRIOR NOTICE.

Drawn By: Nick Stevens

PLEASE RETAIN THIS SHEET FOR FUTURE REFERENCE