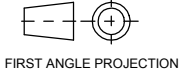


PUBLICATION P12.269

ISSUE: 5

If this document is printed in hardcopy, it is for information use only and therefore is not subject to updating controls. Always refer to viewer for latest issue.



THIS DRAWING IS CONFIDENTIAL AND IS SUPPLIED ON THE EXPRESS CONDITION THAT IT SHALL NOT BE LOANED OR COPIED OR DISCLOSED TO ANY OTHER PERSON OR USED FOR ANY OTHER PURPOSE WITHOUT THE WRITTEN CONSENT OF AP RACING LTD.

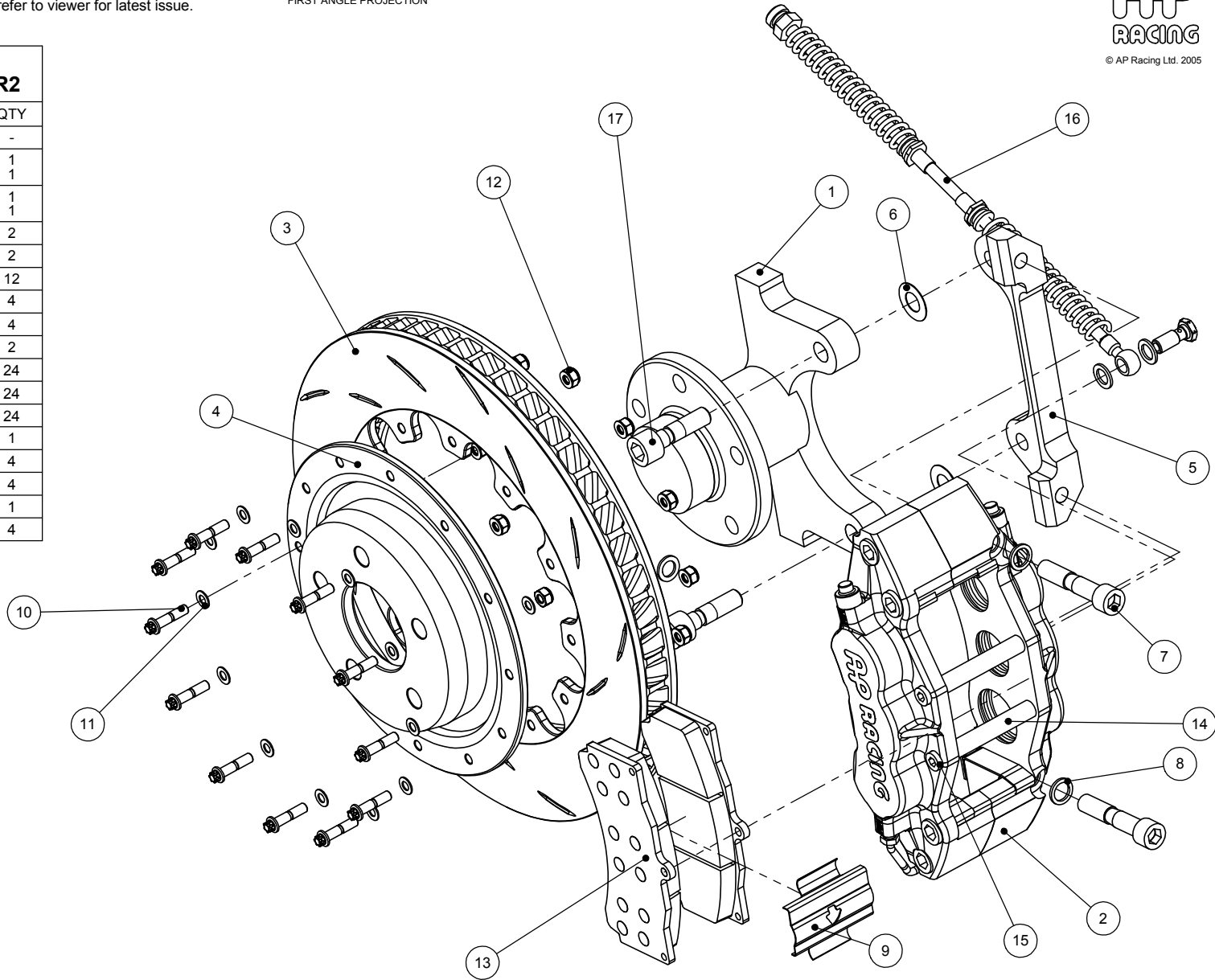


AP Racing
Wheler Road
Coventry
CV3 4LB

Tel: +44 024 7663 9595
Fax: +44 024 7663 9599
e-mail: sales@apracings.co.uk
Web site: HTTP://www.apracings.com

FOCUS RS 09' FRONT KIT NUMBER CP5575-1012BG/R2

Ref	DESCRIPTION	QTY
1	FOCUS RS FRONT UPRIGHT	-
2	CALIPER RIGHT HAND CALIPER LEFT HAND	1 1
3	VENTED DISC RIGHT HAND VENTED DISC LEFT HAND	1 1
4	MOUNTING BELL	2
5	MOUNTING BRACKET	2
6	0.5mm SHIM	12
7	M12 x 1.50 x 63 CALIPER Mtg BOLT	4
8	Ø16 CALIPER WASHER	4
9	ANTI-RATTLE CLIP	2
10	0.25UNF DISC MOUNTING BOLT	24
11	Ø12.5 DISC WASHER	24
12	0.25UNF NUT	24
13	PAD SET (4)	1
14	PAD RETAINER TUBE	4
15	PAD RETAINER BOLT	4
16	BRAIDED HOSE KIT (SEE P14.275)	1
17	OE BOLT (PLEASE RE-USE)	4



Tightening Torques

Part Ref #	Torque
Caliper mounting bolt (7)	58Nm
Caliper Bleed Screw	17Nm
Disc to MTG bell bolt (10)	14Nm
Pad Retainer Bolt (15)	19Nm
Banjo Bolt	25Nm

BRAKE DISC WEAR

NEW	MIN WORN
32.00mm	31mm

RETAIN OE MOUNTING BOLT FOR BRACKET MOUNTING.
TORQUE TO MANUFACTURERS OE SPECIFICATION

Comments

Check caliper is central over disc, use 0.5mm shims (Part Ref 6) to adjust bracket if required, note discs assembly direction arrow
Illustration is of right hand assembly

PLEASE RETAIN THIS SHEET FOR FUTURE REFERENCE

THIS IS A PICTORIAL VIEW FOR REFERENCE ONLY. SOME PARTS MAY VARY FROM THOSE SUPPLIED. AP RACING RESERVE THE RIGHT TO CHANGE COMPONENTS WITHOUT PRIOR NOTICE.
Drawn: Nick Stevens