

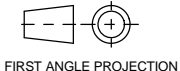
PUBLICATION

P12.284

ISSUE: 2

FOR DISC REPLACEMENT REQUIREMENTS,
PLEASE ORDER KIT # **CP6895-02M.G8** *

If this document is printed in hardcopy,
it is for information use only and therefore is
not subject to updating controls. Always
refer to viewer for latest issue.



FIRST ANGLE PROJECTION

THIS DRAWING IS CONFIDENTIAL AND IS SUPPLIED ON THE EXPRESS CONDITION THAT
IT SHALL NOT BE LOANED OR COPIED OR DISCLOSED TO ANY OTHER PERSON OR USED
FOR ANY OTHER PURPOSE WITHOUT THE WRITTEN CONSENT OF AP RACING LTD.



© AP Racing Ltd. 2005

AP Racing
Wheler Road
Coventry
CV3 4LB

Tel: +44 024 7663 9595
Fax: +44 024 7663 9599
e-mail: sales@apracings.co.uk
Web site: HTTP://www.apracing.com

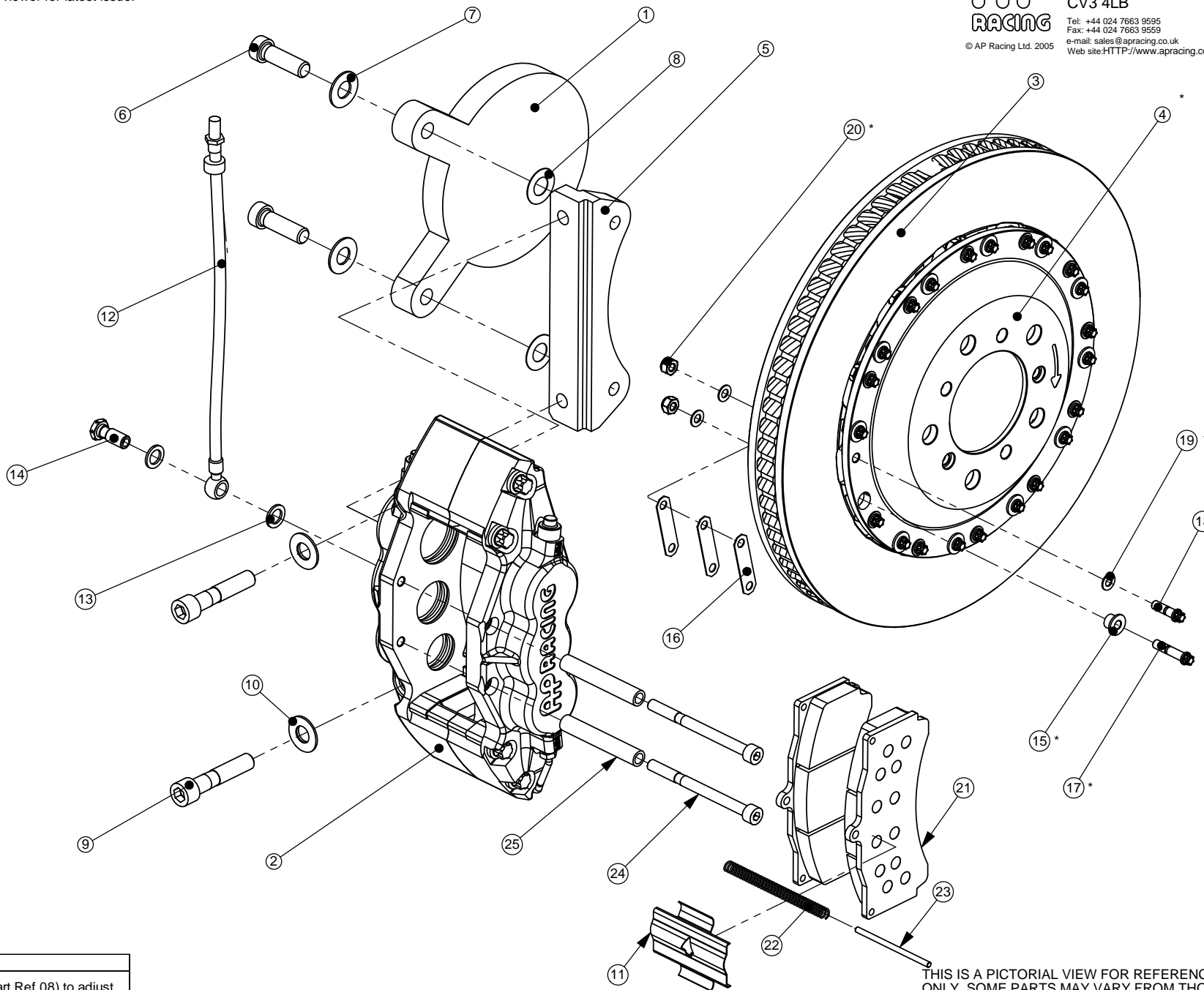
BMW E92 M3 FRONT 18" WHEEL KIT NUMBER CP5555M1050

Ref	DESCRIPTION	QTY
1	BMW FRONT UPRIGHT	-
2	CALIPER RIGHT HAND CALIPER LEFT HAND	1 1
3	VENTED DISC RIGHT HAND VENTED DISC LEFT HAND	1 1
4	MOUNTING BELL	2
5	MOUNTING BRACKET	2
6	M12x42 BRACKET Mtg BOLT	4
7	BRACKET WASHER	4
8	0.5mm SHIM	12
9	M12x60 CALIPER Mtg BOLT	4
10	CALIPER WASHER	4
11	ANTI-RATTLE CLIP	2
12	HOSE	2
13	GASKET	4
14	BANJO BOLT	2
15	SLEEVE	24
16	STEEL STRAP	72
17	0.25UNF DISC MOUNTING BOLT	48
18	0.25UNF STRAP MOUNTING BOLT	48
19	Ø 12.5 STRAP WASHER	96
20	0.25UNF NUT	48
21	PAD SET (4)	1
22	PAD RETRACTION GUIDE PIN	2
23	PAD RETRACTION SPRING	2
24	PAD RETAINER BOLTS	4
25	PAD RETAINER INSERT	4

Tightening Torques	
Part Ref #	Torque
Bolt Ref 6	68NM
Bolt Ref 9	68NM
Bolt/Nut Ref 17-18/20	14NM
Caliper Bleed Screw	17NM
Banjo Bolt Ref 14	25NM
Pad Retainer Bolt 24	13NM

BRAKE DISC WEAR	
NEW	MIN WORN
36.00mm	34.00mm

Comments
Check caliper is central over disc, use 0.5mm shims (Part Ref 08) to adjust
bracket if required, note discs assembly direction arrow
Illustration is of right hand assembly



PLEASE RETAIN THIS SHEET FOR FUTURE REFERENCE

THIS IS A PICTORIAL VIEW FOR REFERENCE
ONLY. SOME PARTS MAY VARY FROM THOSE
SUPPLIED. AP RACING RESERVE THE RIGHT
TO CHANGE COMPONENTS WITHOUT PRIOR
NOTICE.
Drawn By: Carl Johns