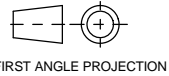


PUBLICATION

P12.288

ISSUE: 3

If this document is printed in hardcopy, it is for information use only and therefore is not subject to updating controls. Always refer to viewer for latest issue.



THIS DRAWING IS CONFIDENTIAL AND IS SUPPLIED ON THE EXPRESS CONDITION THAT IT SHALL NOT BE LOANED OR COPIED OR DISCLOSED TO ANY OTHER PERSON OR USED FOR ANY OTHER PURPOSE WITHOUT THE WRITTEN CONSENT OF AP RACING LTD.



AP Racing
Wheler Road
Coventry
CV3 4LB

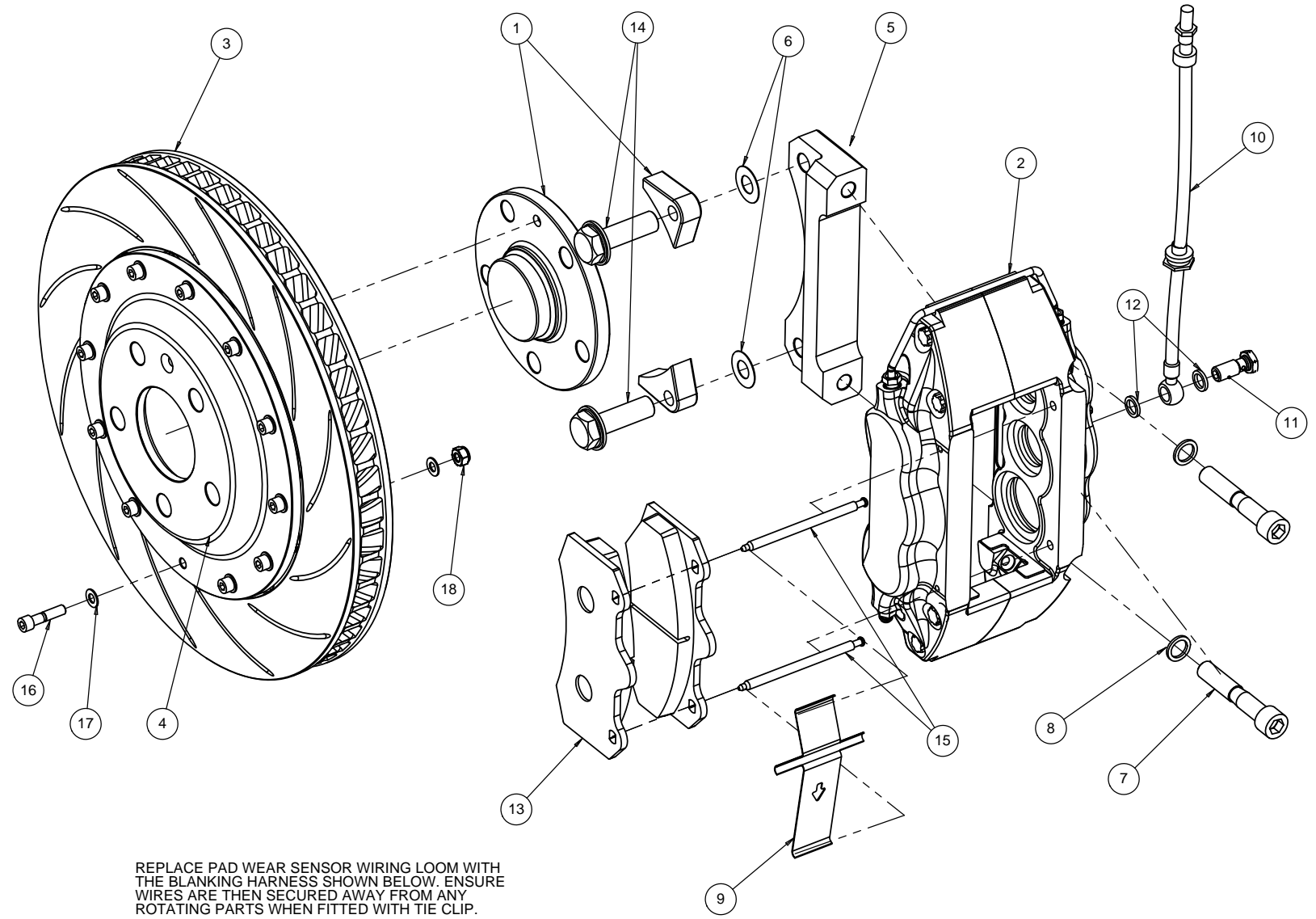
Tel: +44 024 7663 9595
Fax: +44 024 7663 9559
e-mail: sales@apracings.co.uk
Web site: HTTP://www.apracing.com

© AP Racing Ltd. 2005

VW Golf Mk6 - 355x32mm Disc Brake Kit

KIT NUMBER CP7068-1000

Ref	DESCRIPTION	QTY
1	VW GOLF FRONT UPRIGHT & LUG	-
2	CALIPER RIGHT HAND CALIPER LEFT HAND	1 1
3	VENTED DISC RIGHT HAND VENTED DISC LEFT HAND	1 1
4	MOUNTING BELL	2
5	MOUNTING BRACKET	2
6	0.5mm SHIM	12
7	M12 x 70 CALIPER Mtg BOLT	4
8	Ø20.5 CALIPER WASHER	4
9	ANTI-RATTLE CLIP	2
10	HOSE KIT	1
11	BANJO BOLT (PART OF HOSE KIT)	2
12	GASKET (PART OF HOSE KIT)	4
13	PAD SET (4)	2
14	RETAIN OE BOLTS	4
15	PAD PINS	4
16	0.25UNF DISC MOUNTING BOLT	22
17	Ø12.5 DISC WASHER	44
18	0.25UNF NUT	22
19	BLANKING HARNESS	1



BRAKE DISK WEAR	
NEW	MIN WORN
32.00mm	30.5mm

Tightening Torques	
Part Ref #	Torque
Bolt - Ref 7	68NM
Banjo Bolt - Ref 11	25NM
Caliper Bleed Screws	17NM
OE Bolts - Ref 14	To Manufactures Spec

COMMENTS
Check caliper is central over disc, use 0.5mm shims (Part Ref 6) to adjust bracket if required.
This brake kit will not allow the use of the brake pad wear sensors found on OE pads.

REPLACE PAD WEAR SENSOR WIRING LOOM WITH THE BLANKING HARNESS SHOWN BELOW. ENSURE WIRES ARE THEN SECURED AWAY FROM ANY ROTATING PARTS WHEN FITTED WITH TIE CLIP.



THIS IS A PICTORIAL VIEW FOR REFERENCE ONLY. SOME PARTS MAY VARY FROM THOSE SUPPLIED. AP RACING RESERVE THE RIGHT TO CHANGE COMPONENTS WITHOUT PRIOR NOTICE.
Drawn By: Carl Johns

PLEASE RETAIN THIS SHEET FOR FUTURE REFERENCE