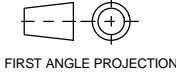


PUBLICATION

P12.290

ISSUE: 2

If this document is printed in hardcopy, it is for information use only and therefore is not subject to updating controls. Always refer to viewer for latest issue.



THIS DRAWING IS CONFIDENTIAL AND IS SUPPLIED ON THE EXPRESS CONDITION THAT IT SHALL NOT BE LOANED OR COPIED OR DISCLOSED TO ANY OTHER PERSON OR USED FOR ANY OTHER PURPOSE WITHOUT THE WRITTEN CONSENT OF AP RACING LTD.



AP Racing
Wheler Road
Coventry
CV3 4LB

Tel: +44 024 7663 9595
Fax: +44 024 7663 9559
e-mail: sales@ap racing.co.uk
Web site: HTTP://www.ap racing.com

© AP Racing Ltd. 2005

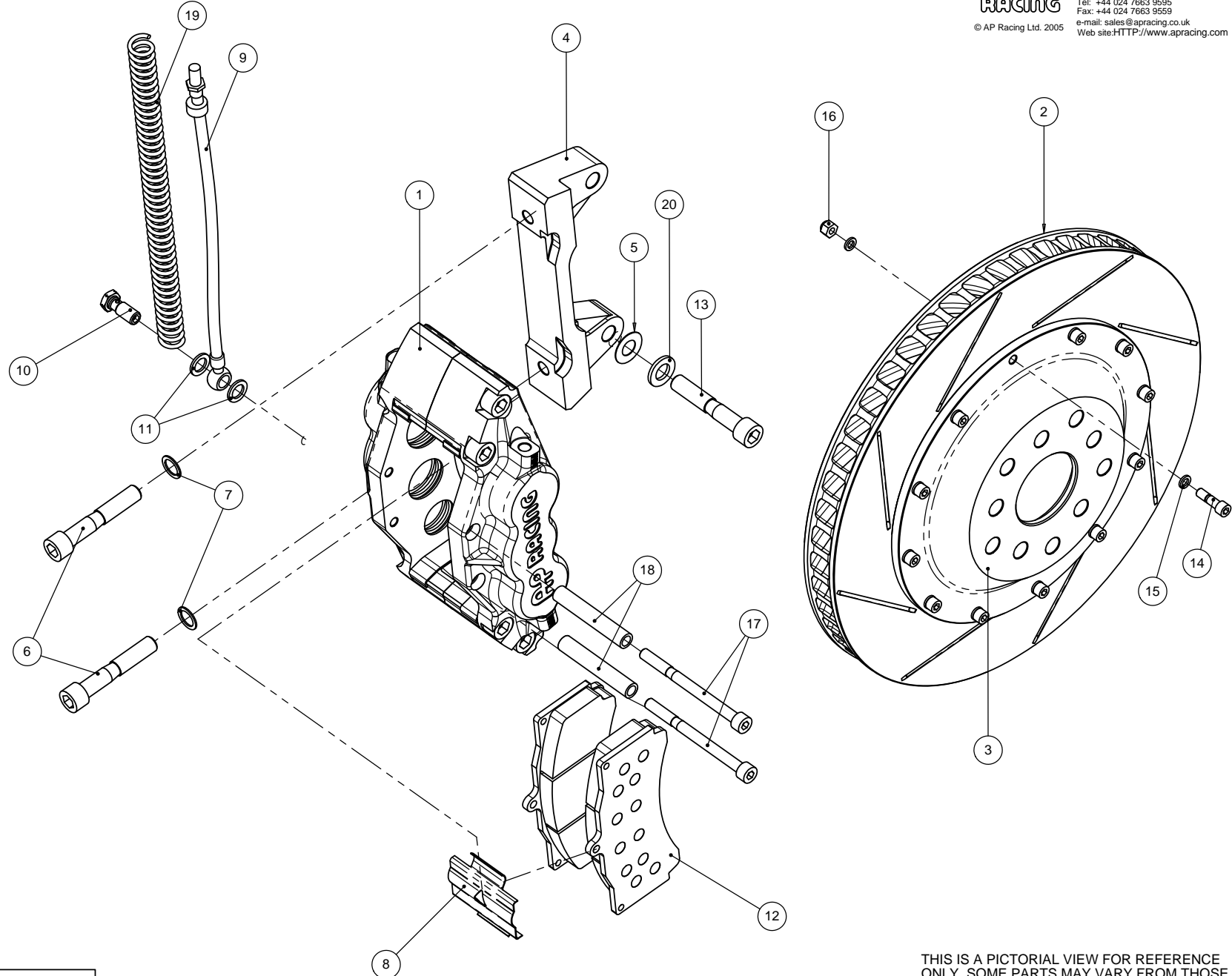
Subaru Impreza Kit KIT NUMBER CP5555-1052

Ref	DESCRIPTION	QTY
1	CALIPER RIGHT HAND CALIPER LEFT HAND	1 1
2	VENTED DISC RIGHT HAND VENTED DISC LEFT HAND	1 1
3	MOUNTING BELL	2
4	MOUNTING BRACKET	2
5	0.5mm SHIM	12
6	M12 x 70 CALIPER Mtg BOLT	4
7	Ø20.0 CALIPER WASHER	4
8	ANTI-RATTLE CLIP	2
9	HOSE KIT	1
10	BANJO BOLT (PART OF HOSE KIT)	2
11	GASKET (PART OF HOSE KIT)	4
12	PAD SET (4)	1
13	BRACKET MTG BOLTS	4
14	0.25UNF DISC MOUNTING BOLT	24
15	Ø12.5 DISC WASHER	48
16	0.25UNF NUT	24
17	PAD RETAINER BOLTS	4
18	PAD RETAINER SLEEVES	4
19	NYLON ARMOURING	2
20	WASHER	4

BRAKE DISK WEAR	
NEW	MIN WORN
32.00mm	30.5mm

Tightening Torques	
Part Ref #	Torque
Bolt - Ref 6	68NM
Banjo Bolt - Ref 10	25NM
Caliper Bleed Screws	17NM
Pad Retainer Bolts - Ref 17	19NM
Bracket MTG Bolts - Ref 13	68NM

COMMENTS
Check caliper is central over disc, use 0.5mm shims (Part Ref 6) to adjust bracket if required,



PLEASE RETAIN THIS SHEET FOR FUTURE REFERENCE

THIS IS A PICTORIAL VIEW FOR REFERENCE ONLY. SOME PARTS MAY VARY FROM THOSE SUPPLIED. AP RACING RESERVE THE RIGHT TO CHANGE COMPONENTS WITHOUT PRIOR NOTICE.
Drawn By: Carl Johns