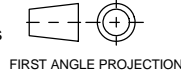


# PUBLICATION P12.293

ISSUE: 3

If this document is printed in hardcopy, it is for information use only and therefore is not subject to updating controls. Always refer to viewer for latest issue.



THIS DRAWING IS CONFIDENTIAL AND IS SUPPLIED ON THE EXPRESS CONDITION THAT IT SHALL NOT BE LOANED OR COPIED OR DISCLOSED TO ANY OTHER PERSON OR USED FOR ANY OTHER PURPOSE WITHOUT THE WRITTEN CONSENT OF AP RACING LTD.

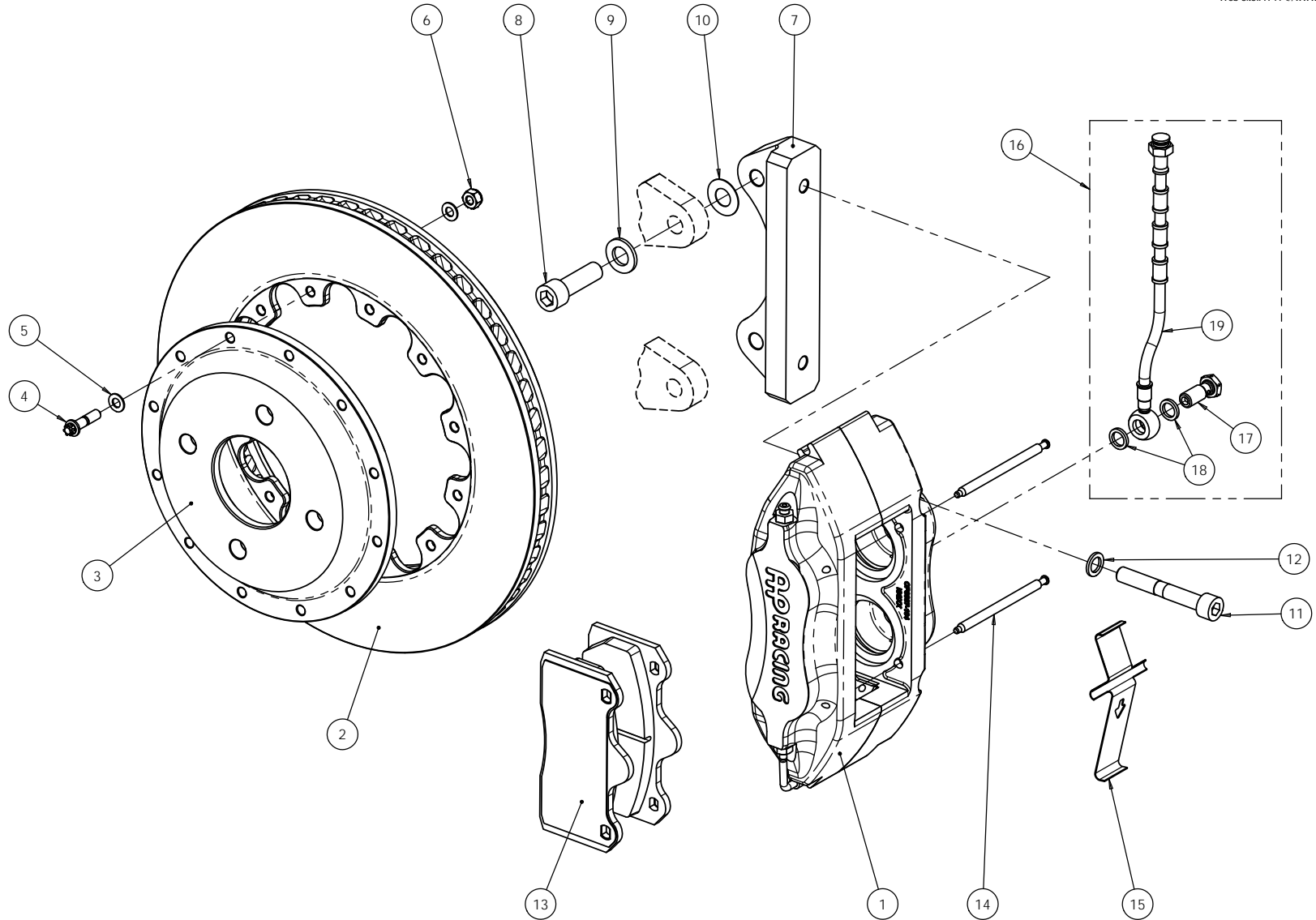


AP Racing  
Wheler Road  
Coventry  
CV3 4LB

Tel: +44 024 7663 9595  
Fax: +44 024 7663 9559  
e-mail: sales@apracings.co.uk  
Web site: HTTP://www.apracings.com

© AP Racing Ltd. 2005

FORD FIESTA ST Mk7 FRONT KIT NUMBER CP6637-1004		
Ref	Description	QTY
1	Caliper Right Hand	1
	Caliper Left Hand	1
2	Disc Right Hand	1
	Disc Left Hand	1
3	Mounting Bell	2
4	Disc Mtg Bolt	24
5	Disc Mtg Washer	48
6	Disc Mtg Nut	24
7	Mounting Bracket	2
8	Bracket Mtg Bolt	4
9	Bracket Mtg Washer	4
10	0.5mm Washer/Shim	12
11	Caliper Mtg Bolt	4
12	Caliper Mtg Washer	4
13	Pad Set (4)	1
14	Anti-Rattle Clip	2
15	Pad Retainer Pin	4
16	<b>Brake Hose Kit</b>	1
17	Banjo Bolt	2
18	Gasket	4
19	Hose with Banjo Fitting	2



BRAKE DISC WEAR	
NEW	MIN WORN
24.00mm	23.00mm

Tightening Torques	
Part Ref #	Torque
Bolt Ref 5	68NM
Bolt Ref 8	58NM
Banjo Bolt Ref 10	25NM
Caliper Bleed Screw	17NM

Comments

Check caliper is central overdisc. Use 0.5mm shims (Part Ref 10) to adjust if required.

PLEASE RETAIN THIS SHEET FOR FUTURE REFERENCE

THIS IS A PICTORIAL VIEW FOR REFERENCE ONLY. SOME PARTS MAY VARY FROM THOSE SUPPLIED. AP RACING RESERVE THE RIGHT TO CHANGE COMPONENTS WITHOUT PRIOR NOTICE.

Drawn: Andrew Thorpe