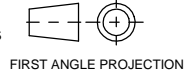


# PUBLICATION

## P12.309

ISSUE: 1

If this document is printed in hardcopy, it is for information use only and therefore is not subject to updating controls. Always refer to viewer for latest issue.



THIS DRAWING IS CONFIDENTIAL AND IS SUPPLIED ON THE EXPRESS CONDITION THAT IT SHALL NOT BE LOANED OR COPIED OR DISCLOSED TO ANY OTHER PERSON OR USED FOR ANY OTHER PURPOSE WITHOUT THE WRITTEN CONSENT OF AP RACING LTD.



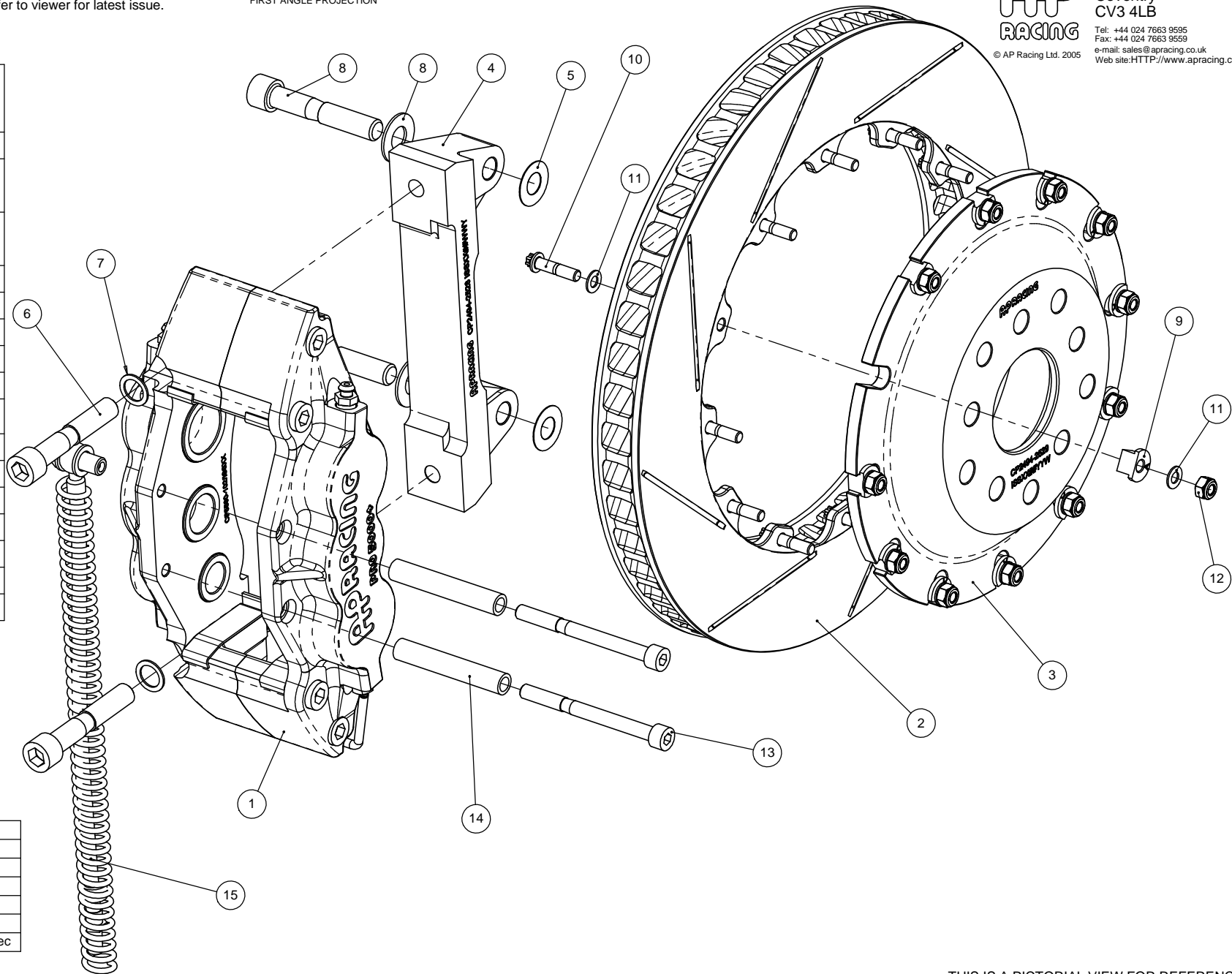
AP Racing  
Wheler Road  
Coventry  
CV3 4LB

Tel: +44 024 7663 9595  
Fax: +44 024 7663 9599  
e-mail: sales@ap racing.co.uk  
Web site: HTTP://www.ap racing.com

© AP Racing Ltd. 2005

### Subaru Impreza Competition Front KIT NUMBER CP5060-1006NP

Ref	DESCRIPTION	QTY
1	CALIPER RIGHT HAND CALIPER LEFT HAND	1 1
2	VENTED DISC RIGHT HAND VENTED DISC LEFT HAND	1 1
3	MOUNTING BELL	2
4	MOUNTING BRACKET	2
5	0.5mm SHIM	12
6	M12 x 70 CALIPER Mtg BOLT	4
7	Ø20.5 CALIPER WASHER	4
8	RETAIN OE BOLTS & WASHERS	4
9	DRIVE BOBBIN	24
10	0.25UNF DISC MOUNTING BOLT	22
11	Ø12.5 DISC WASHER	44
12	0.25UNF NUT	22
13	PAD RETAINER BOLTS	4
14	PAD RETAINER TUBES	4
15	BRAKE HOSE KIT	1



BRAKE DISC WEAR	
NEW	MIN WORN
32.00mm	30.5mm

Tightening Torques	
Part Ref #	Torque
Caliper MTG Bolt - Ref 6	68Nm
Caliper Bleed Screws	17Nm
Pad Retainer Bolts - Ref 13	19Nm
Disc Bolt - Ref 10	14Nm
OE Bolts - Ref 8	To Manufactures Spec

**COMMENTS**  
Check caliper is central over disc, use 0.5mm shims (Part Ref 5) to adjust bracket if required,

**PLEASE RETAIN THIS SHEET FOR FUTURE REFERENCE**

THIS IS A PICTORIAL VIEW FOR REFERENCE ONLY. SOME PARTS MAY VARY FROM THOSE SUPPLIED. AP RACING RESERVE THE RIGHT TO CHANGE COMPONENTS WITHOUT PRIOR NOTICE.  
Drawn By: NICK STEVENS