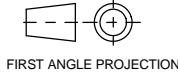


PUBLICATION P12.311

ISSUE 1

If this document is printed in hardcopy, it is for information use only and therefore is not subject to updating controls. Always refer to viewer for latest issue.



THIS DRAWING IS CONFIDENTIAL AND IS SUPPLIED ON THE EXPRESS CONDITION THAT IT SHALL NOT BE LOANED OR COPIED OR DISCLOSED TO ANY OTHER PERSON OR USED FOR ANY OTHER PURPOSE WITHOUT THE WRITTEN CONSENT OF AP RACING LTD.



AP Racing
Wheler Road
Coventry
CV3 4LB

Tel: +44 024 7663 9595
Fax: +44 024 7663 9559
e-mail: sales@apracing.co.uk
Web site: HTTP://www.apracing.com

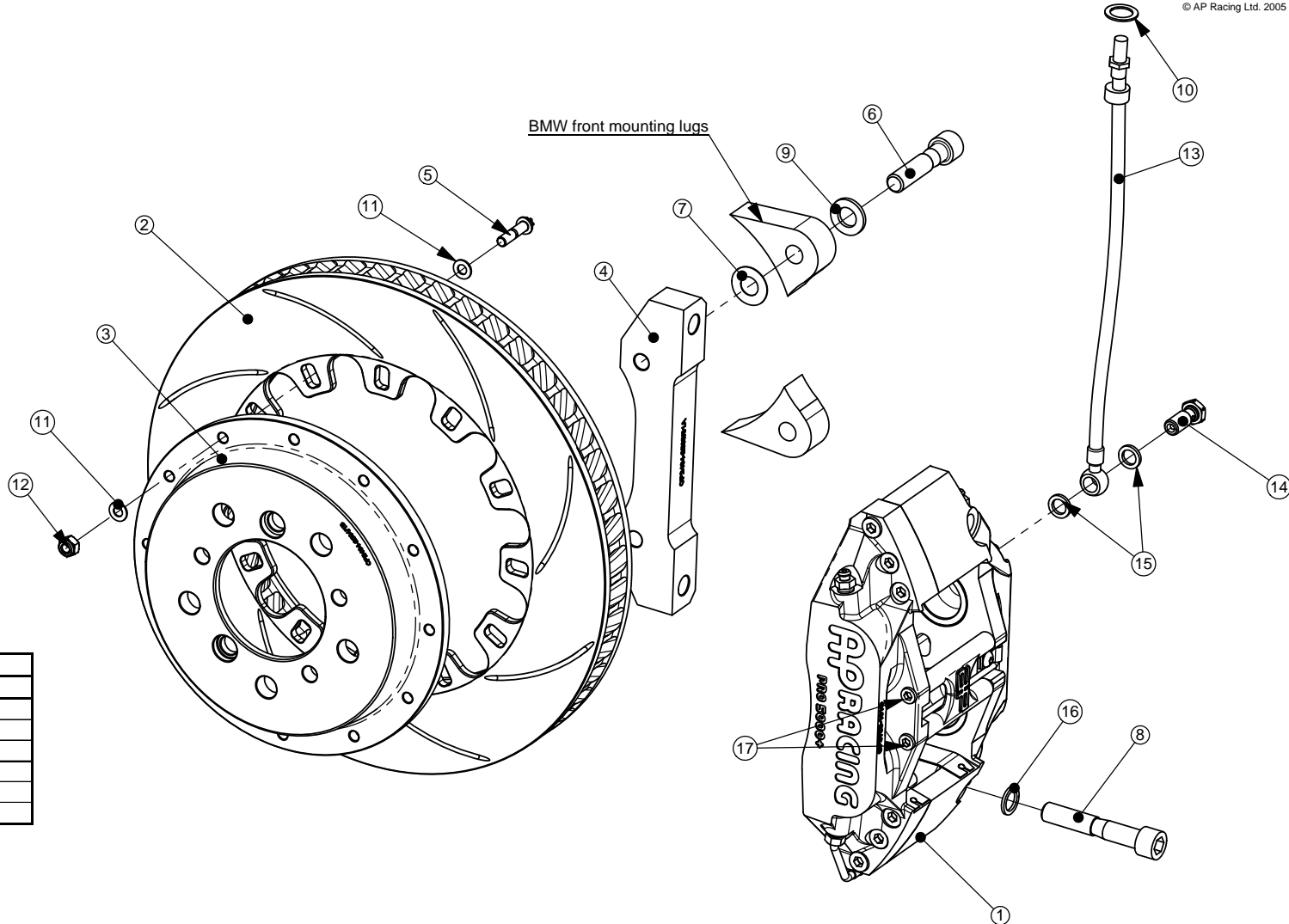
© AP Racing Ltd. 2005

BMW 3 SERIES E90 KIT NUMBER CP5040-1002NP		
Ref	Description	QTY
1	Caliper Right Hand	1
	Caliper Left Hand	1
2	Disc Right Hand	1
	Disc Left Hand	1
3	Mounting Bell	2
4	Mounting Bracket	2
5	Disc Mtg Bolt	24
6	Bracket Mtg Bolt	4
7	0.5mm Washer/Shim	8
8	Caliper Mtg Bolt	4
9	Bracket Washer	4
10	Hose Washer	2
11	Disc Washer	48
12	Disc Mtg Nut	24
13	Hose Kit	1
14	Banjo	2
15	Gasket	4
16	Caliper Washer	4
17	Pad Retainer Bolt	4

Tightening Torques	
Part Ref #	Torque
Bolt Ref 6	68Nm
Bolt Ref 8	68Nm
Bolt/Nut Ref 5/12	14Nm
Banjo Bolt Ref 14	25Nm
Bolt Ref 17	19Nm
Caliper Bleed Screw	17Nm

BRAKE DISC WEAR	
NEW	MIN WORN
32.00mm	31.00mm

Check caliper is central over disc. Use 0.5mm shims (Part ref 7) to adjust if required. Ensure splash guard does not foul on disc face, bend as necessary.
Trim splashguard to allow bracket to fit on mounting lugs.
Pad wear sensors will need to be short circuited.



PLEASE RETAIN THIS SHEET FOR FUTURE REFERENCE

THIS IS A PICTORIAL VIEW FOR REFERENCE ONLY. SOME PARTS MAY VARY FROM THOSE SUPPLIED. AP RACING RESERVE THE RIGHT TO CHANGE COMPONENTS WITHOUT PRIOR NOTICE.

DRAWN : Steve Thomas