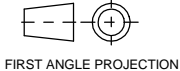


# PUBLICATION P12.324 ISSUE 1

If this document is printed in hardcopy, it is for information use only and therefore is not subject to updating controls. Always refer to viewer for latest issue.



FIRST ANGLE PROJECTION

THIS DRAWING IS CONFIDENTIAL AND IS SUPPLIED ON THE EXPRESS CONDITION THAT IT SHALL NOT BE LOANED OR COPIED OR DISCLOSED TO ANY OTHER PERSON OR USED FOR ANY OTHER PURPOSE WITHOUT THE WRITTEN CONSENT OF AP RACING LTD.



AP Racing  
Wheler Road  
Coventry  
CV3 4LB

Tel: +44 024 7663 9595  
Fax: +44 024 7663 9599  
e-mail: sales@apracings.co.uk  
Web site: HTTP://www.apracings.com

© AP Racing Ltd. 2005

## NISSAN GTR35 2012 ON FRONT

### KIT NUMBER CP8521Z1000

REF	DESCRIPTION	QTY
1	Caliper Right Hand	1
	Caliper Left Hand	1
2	Disc Right Hand	1
	Disc Left Hand	1
3	Mounting Bell	2
4	Disc Bobbin Bolt	24
5	Disc Bobbin	24
6	Disc Bobbin Spring	24
7	Disc Bobbin Nut	24
8	Disc Bobbin Clip	24
9	Caliper Mtg Bracket	2
10	Bracket Mtg Bolt (M12 x 62.50)	2
11	Bracket Mtg Bolt (M12 x 40.00)	2
12	Bracket Washer (M12)	4
13	Bracket Mtg Bolt (M8)	2
14	Bracket Washer (M8)	2
15	Caliper Mtg Bolt	4
16	Caliper Washer	4
17	Pad Set (4)	1
18	Anti Rattle Clip	2
19	H Piece	2
20	H Piece Retainer Bolt	4
21	Pad Pin	4
22	Hose Right Hand	1
	Hose Left Hand	1
23	Gasket	4
24	Banjo Bolt	2
25	Banjo	2

#### BRAKE DISC WEAR

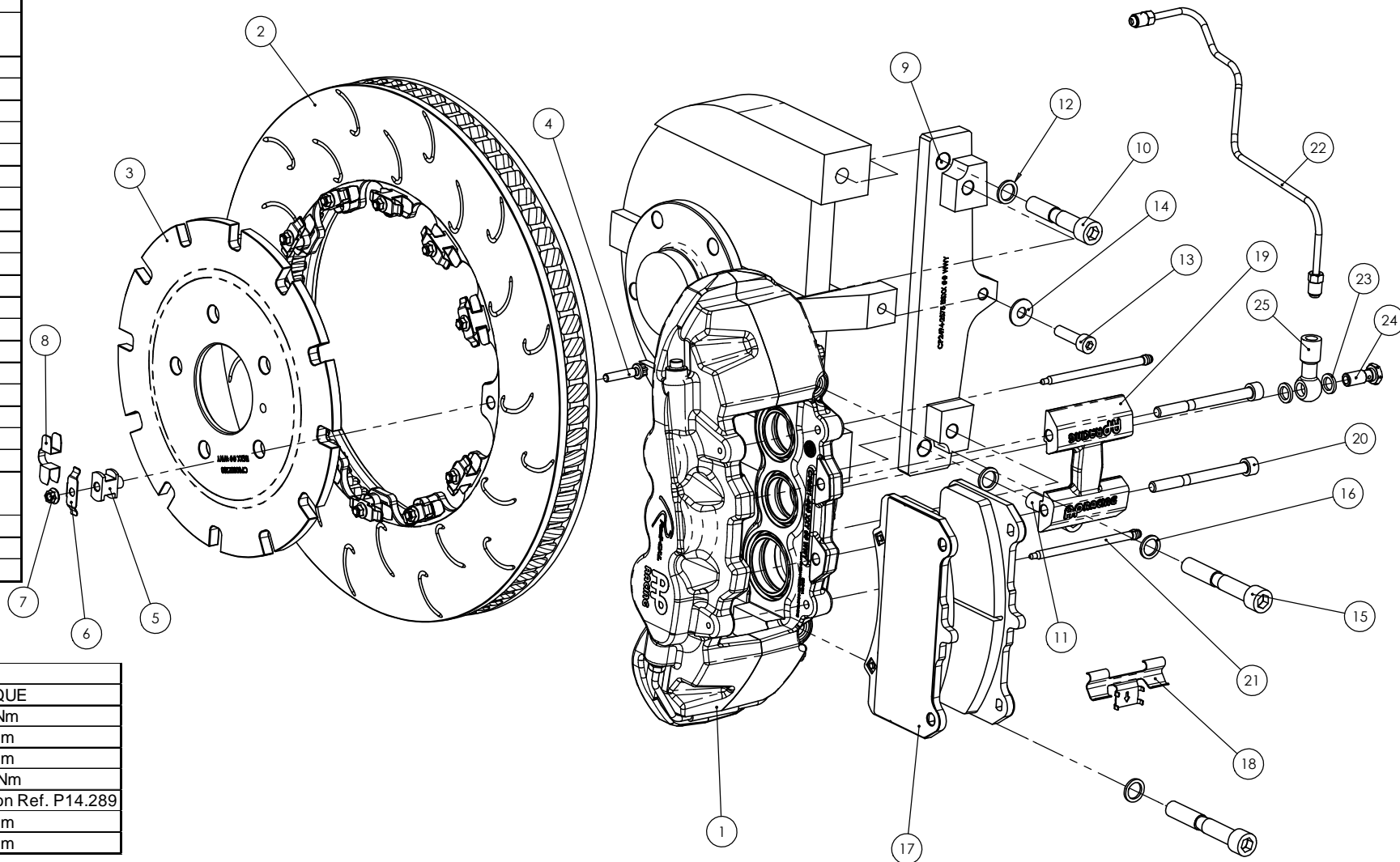
NEW	MIN WORN
36.00mm	34.00mm

#### TIGHTENING TORQUES

PART REF #	TORQUE
Bolt Ref 10 & 11	100Nm
Bolt Ref 13	25Nm
Bolt Ref 15	68Nm
Bolt Ref 20	27.1Nm
Bolt/Nut Ref 4/7	Refer to Publication Ref. P14.289
Banjo Bolt Ref 24	25Nm
Caliper Bleed Screw	17Nm

#### COMMENTS

Ensure splash guard does not foul on disc face, bend/clip as necessary.  
Check wheel weight position in relationship to brake caliper, move wheel weights inboard if necessary.



THIS IS A PICTORIAL VIEW FOR REFERENCE ONLY. SOME PARTS MAY VARY FROM THOSE SUPPLIED. AP RACING RESERVE THE RIGHT TO CHANGE COMPONENTS WITHOUT PRIOR NOTICE.

PLEASE RETAIN THIS SHEET FOR FUTURE REFERENCE

DRAWN BY: OLIVER MOORE