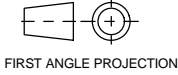


# PUBLICATION P12.341

ISSUE: 01

If this document is printed in hardcopy, it is for information use only and therefore is not subject to updating controls. Always refer to viewer for latest issue.



THIS DRAWING IS CONFIDENTIAL AND IS SUPPLIED ON THE EXPRESS CONDITION THAT IT SHALL NOT BE LOANED OR COPIED OR DISCLOSED TO ANY OTHER PERSON OR USED FOR ANY OTHER PURPOSE WITHOUT THE WRITTEN CONSENT OF AP RACING LTD.



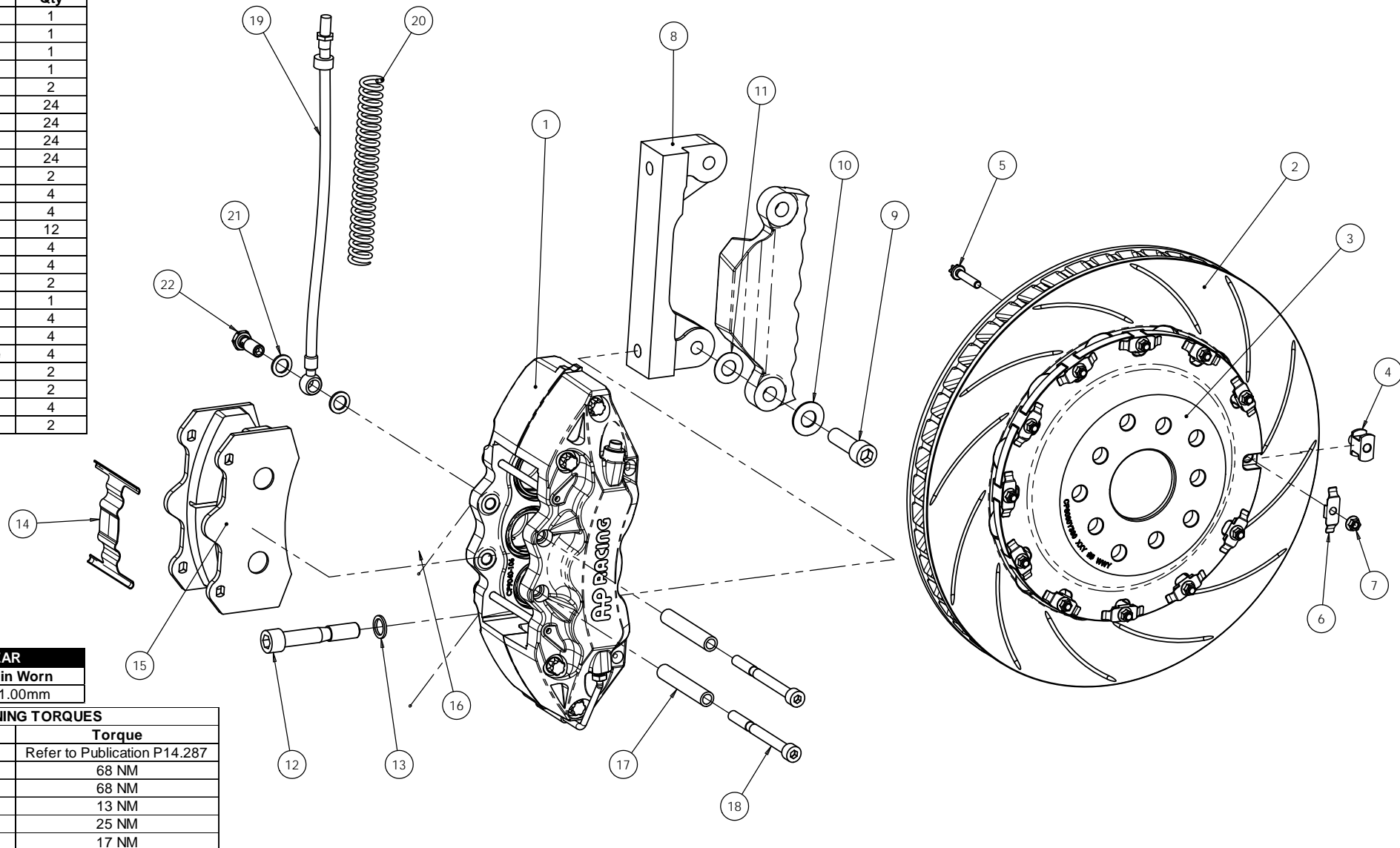
AP Racing  
Wheler Road  
Coventry  
CV3 4LB

Tel: +44 024 7663 9595  
Fax: +44 024 7663 9559  
e-mail: sales@apracings.co.uk  
Web site: HTTP://www.apracings.com

© AP Racing Ltd. 2005

## SUBARU IMPREZA 18" WHEEL KIT NUMBER CP9040Y1003

Ref	Description	Qty
1	Caliper Right Hand	1
	Caliper Left Hand	1
2	Disc Right Hand	1
	Disc Left Hand	1
3	Mounting Bell	2
4	Disc Mtg Bobbin	24
5	Disc Mtg Bolt	24
6	Disc Mtg Spring	24
7	Disc Mtg Nut	24
8	Mounting Bracket	2
9	Bracket Mtg Bolt	4
10	Bracket Mtg Washer	4
11	Shim	12
12	Caliper Mtg Bolt	4
13	Caliper Mtg Washer	4
14	Anti Rattle Clip	2
15	Pad Set (4)	1
16	Pad Retaining Pin	4
17	Pad Retaining Bolt	4
18	Pad Retaining Sleeve	4
19	Brake Hose	2
20	Nylon Armour	2
21	Gasket	4
22	Banjo Bolt	2



### BRAKE DISC WEAR

New	Min Worn
32.00mm	31.00mm

### TIGHTENING TORQUES

Part Ref #	Torque
Bolt Ref 5/7	Refer to Publication P14.287
Bolt Ref 9	68 NM
Bolt Ref 12	68 NM
Bolt Ref 18	13 NM
Banjo Bolt Ref 22	25 NM
Caliper Bleed Screw	17 NM

### COMMENTS

Disc splash guard is retained, but ensure that it clears the disc. The centre hose location bracket requires the hole enlarging +1mm to allow the banjo fitting to pass through.

THIS IS A PICTORIAL VIEW FOR REFERENCE ONLY. SOME PARTS MAY VARY FROM THOSE SUPPLIED. AP RACING RESERVE THE RIGHT TO CHANGE COMPONENTS WITHOUT PRIOR NOTICE.

PLEASE RETAIN THIS SHEET FOR FUTURE REFERENCE

Drawn By: Andrew Thorpe