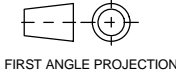


# PUBLICATION P12.345

ISSUE : 1

If this document is printed in hardcopy, it is for information use only and therefore is not subject to updating controls. Always refer to viewer for latest issue.



THIS DRAWING IS CONFIDENTIAL AND IS SUPPLIED ON THE EXPRESS CONDITION THAT IT SHALL NOT BE LOANED OR COPIED OR DISCLOSED TO ANY OTHER PERSON OR USED FOR ANY OTHER PURPOSE WITHOUT THE WRITTEN CONSENT OF AP RACING LTD.



AP Racing  
Wheler Road  
Coventry  
CV3 4LB

Tel: +44 024 7663 9595  
Fax: +44 024 7663 9559

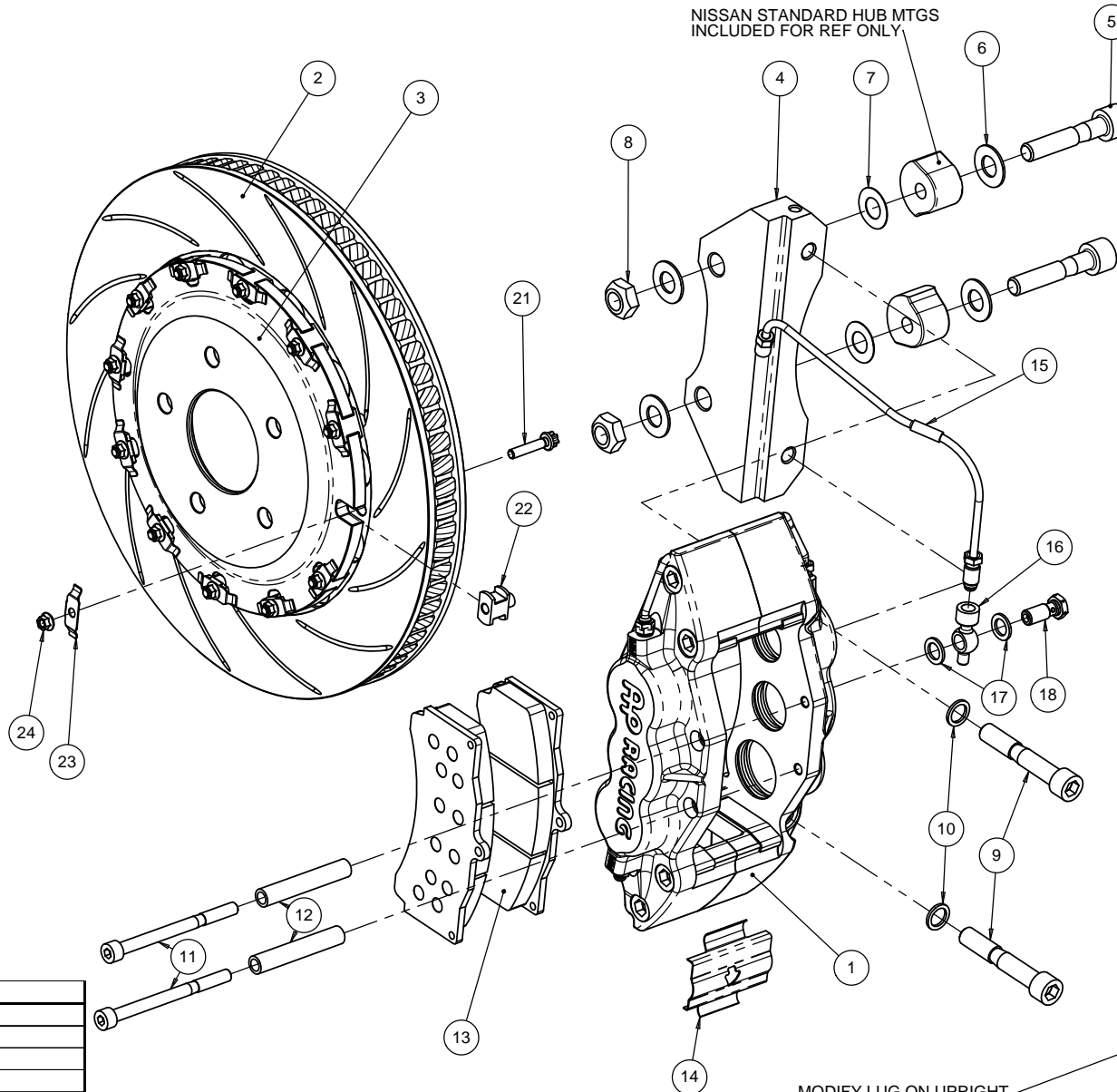
e-mail: sales@apracings.co.uk  
Web site: HTTP://www.apracings.com

© AP Racing Ltd. 2005

FOR DISC REPLACEMENT REQUIREMENTS  
PLEASE ORDER KIT # CP8080Y40-1CG12

## NISSAN SKYLINE R34 KIT NUMBER CP5555Y1026

Ref	Description	QTY
1	Caliper Right Hand	1
	Caliper Left Hand	1
2	Disc RH	1
	Disc LH	1
3	Mounting Bell RH	1
	Mounting Bell LH	1
4	Mounting Bracket	2
5	Bracket Mtg Bolt	4
6	Bracket Mtg Washer	8
7	Shim	12
8	Bracket Mtg Nut	4
9	Caliper Mounting Bolt	4
10	Caliper Washer	4
11	Pad Retaining Bolt	4
12	Pad Retaining Tube	4
13	Pad Set (4)	1
14	Anti-Rattle Clip	2
15	Pipe Assy RH	1
	Pipe Assy LH	1
16	Banjo-M10	2
17	Gasket	4
18	Banjo Bolt	2
19	Bolt-Long	22
20	Bolt-Short	22
21	Disc Mtg Bolt	24
22	Disc Mtg Bobbin	24
23	Disc Mtg Spring	24
24	Disc Mtg Nut	24



BRAKE DISC WEAR	
NEW	MIN WORN
32.00mm	31.00mm

Tightening Torques	
Part Ref #	Torque
Bolt/Nut Ref 5/8	68NM
Bolt Ref 9	68NM
Banjo Bolt Ref 18	25NM
Caliper Bleed Screw	17NM
Bolt/Nut Ref 21/24	Refer to publication P14.287
Pad Retaining Pin Ref 11	13NM

Check caliper is central over disc, Use 0.5mm shims (Part ref 7) to adjust if required. Use the original Nissan bracket and grommet to locate hydraulic pipe. Hydraulic pipe should be bent and located as shown in photo.

**PLEASE RETAIN THIS SHEET  
FOR FUTURE REFERENCE**

THIS IS A PICTORIAL VIEW FOR REFERENCE ONLY. SOME PARTS MAY VARY FROM THOSE SUPPLIED. AP RACING RESERVE THE RIGHT TO CHANGE COMPONENTS WITHOUT PRIOR NOTICE.

Drawn by: Andrew Thorpe

